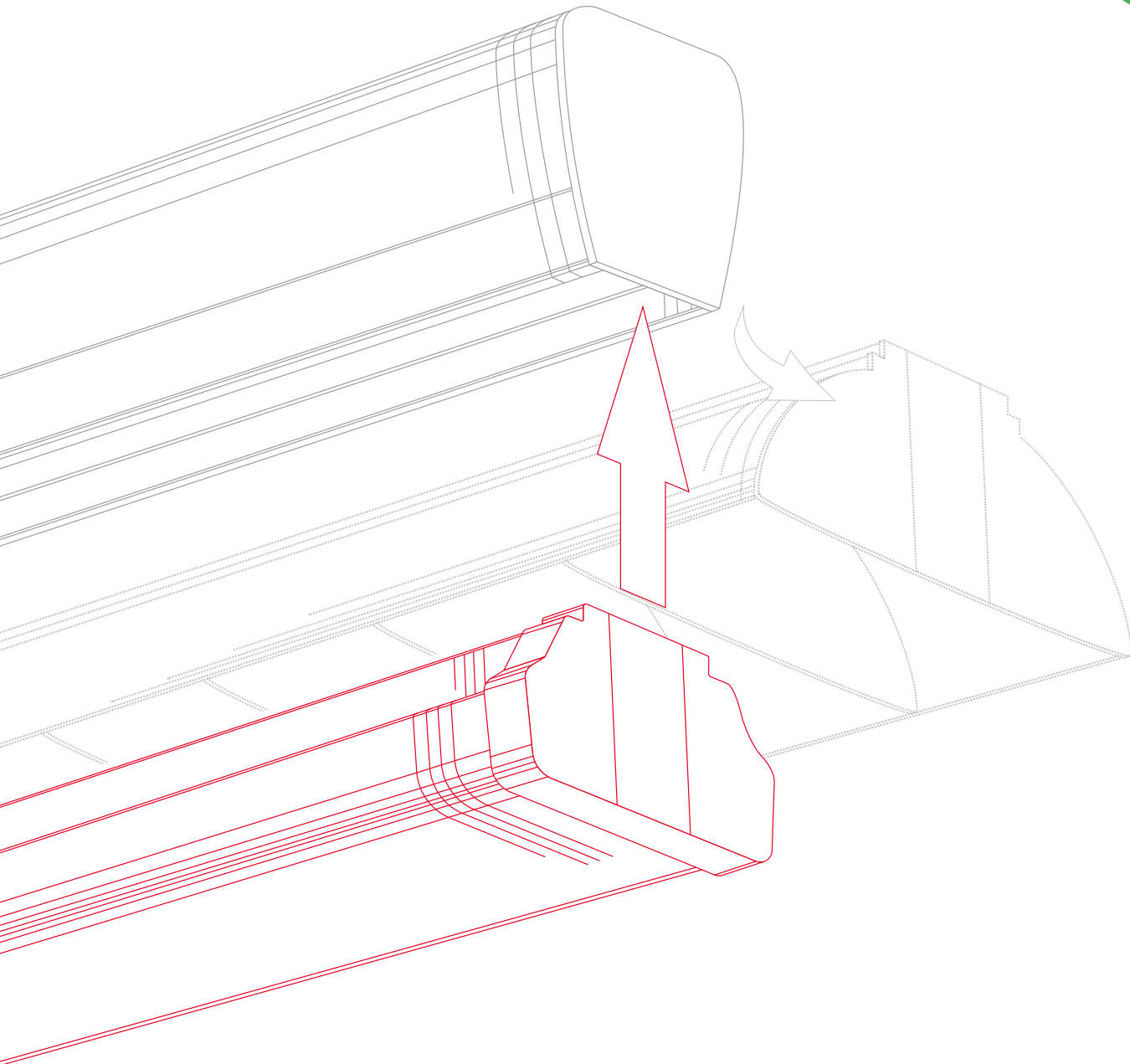


siteco

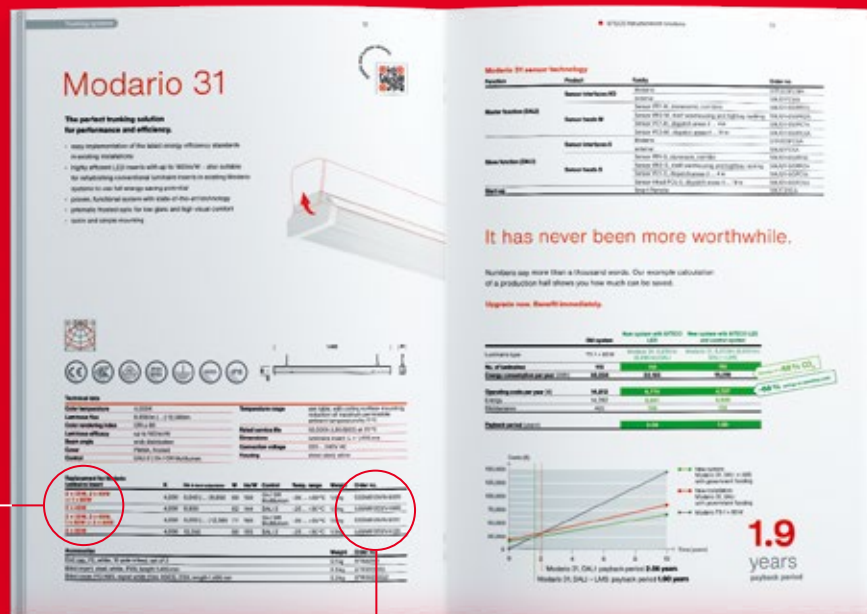
! Upgrade now.
• Benefit immediately.

up to
Save 80%
with modern lighting
technology



Refurbishment solutions.

Quick replacement. Maximum savings.



Replacement for Modario luminaire insert
 2 x 35W, 2 x 49W or 1 x 80W
 2 x 49W
 2 x 35W, 2 x 49W, 1 x 80W or 2 x 80W
 2 x 80W

left:
Your existing luminaire.

Order no.
 kg 53BM812M1V4085
 kg 53BM812D2V4085
 kg 53BM812M1V4120
 53BM812D2V4120

right:
The suitable replacement.

Refurbishment solutions

Solutions for indoor lighting

Industry

- 12** Trunking systems
- 16** Highbay luminaires
- 18** Damp-proof luminaires

Office

- 22** Pendant luminaires
- 24** Recessed luminaires
- 30** Wall and ceiling luminaires
- 32** Downlights
- 34** Light management systems

Solutions for outdoor lighting

- 36** Road luminaires
- 41** Area lighting

Refurbish your lighting.

And save up to 80% with modern lighting technology.

Register now for a no-obligation check of your lighting.



In typical cases, **80% in energy and maintenance costs** can be saved. And even if you are already using LED: if your system is older than four to five years you can **save up to 40%** thanks to state-of-the-art technology.

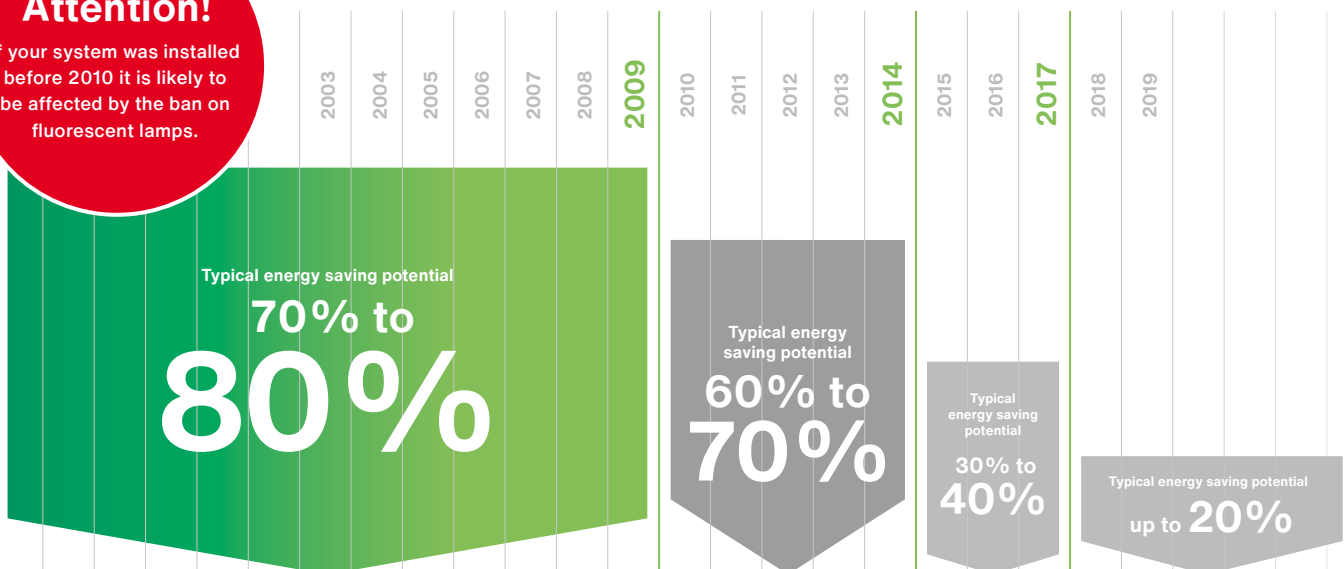
You set the path: install a completely new and digital system or reuse as much of the existing infrastructure as possible. In both cases, we check and calculate your savings potential without any obligation for you.

When shall we start?

Attention!

If your system was installed before 2010 it is likely to be affected by the ban on fluorescent lamps.

Year of installation of your lighting system:



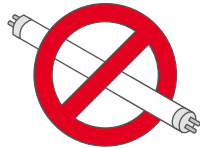
Fluorescent lamps were banned in 2023!

February 25, 2023



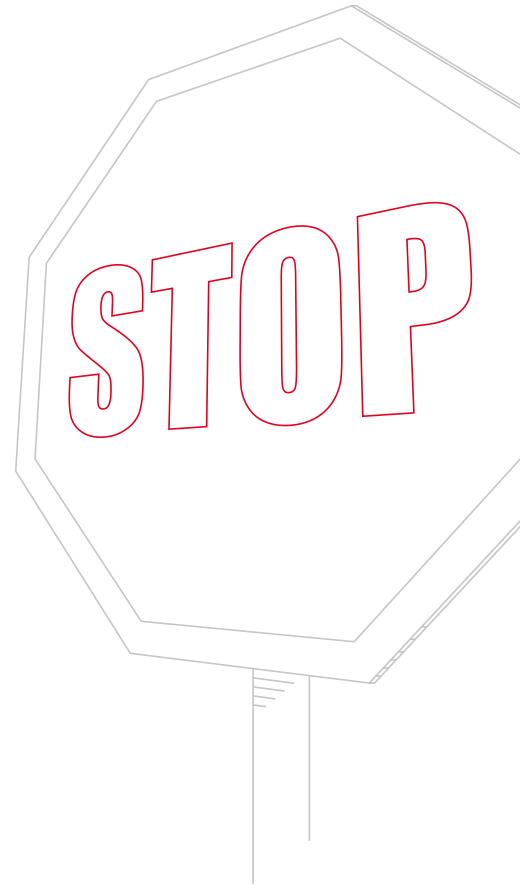
- **Compact fluorescent lamps**
(without integrated ECG)
- **T5 circular fluorescent lamps**

August 25, 2023



- **T5 linear fluorescent lamps**
- **T8 linear fluorescent lamps**

According to EU Directive 2011/65/EU on the restriction of the use of certain hazardous substances in electrical and electronic equipment (RoHS), Annex III, the placing on the market of these lamps is prohibited in the EU after this date.



Light is teamwork.

How much work can we take off your hands?

Would you like to learn more about our solution elements?



Would you rather focus on your core business?

No problem: SITECO supports owners, contractors and specifiers when it comes to lighting refurbishments.

What can we do for you?

+ Light audit

Our experts review your existing lighting installation and specify the individual requirements for your new system on site.

- Savings in operating costs and CO₂
- Investment and payback

A single appointment – many insights.

Where is the greatest potential?

Where is a specific need for action?

We review the status quo of your existing installation on site. On this basis, we then develop possible scenarios for your new lighting – custom-tailored to your specific needs and requirements.



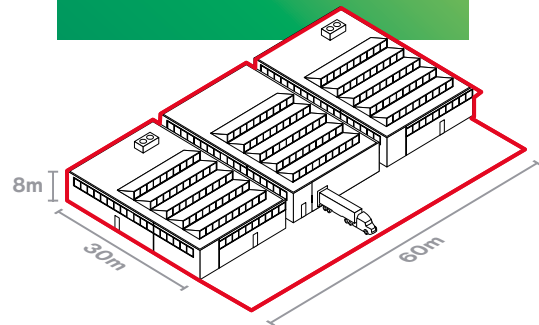
Full transparency.

54t
CO₂
saved each year

How much cost can be saved?

And how much CO₂?

Our experts inspect the lighting system and transparently show you how the system can be made state of the art. You'll also learn how quick the payback is: refurbishment projects often pay for themselves in less than two years. This has been our experience from numerous cases.



Because it pays off.

Calculation example for a new lighting system

| | old installation | new installation | |
|---|-------------------|-------------------|-------------|
| Luminaire type | 4 × 58 W, ECG | Licross, 9,000 lm | |
| Number of luminaires | 153 | 162 | |
| Energy consumption per year in kWh | 138,753 | 37,066 | -73% |
| Reduction in energy consumption per year in kWh | | -101,687 | |
| CO₂ emission per year in t | 59.2 | 15.8 | -74% |
| Reduction in CO₂ emission per year in t | | -43.4 | |
| Operating costs per year in € | 42,624 | 10,771 | -75% |
| Savings per year in € | | -31,853 | |
| Costs for lighting and installation in € | Payback: | 60,129 | |
| Investment minus 15 % efficient buildings subsidy in € | 1.5 years | 51,110 | |
| Investment as monthly installment over 5 years in € | from day 1 | 1,202 | |

Calculation based on energy price of 0.26 € / kWh.

+ Planning

We develop a lighting concept or customized solution tailored precisely to your needs – enabling you to benefit from outstanding and sustainable lighting and control technology.

- Lighting design
- Lighting concept and electrical concept
- Customizing solution

Lighting concept and electrical concept

The solution in concrete terms.

Our experts show you what is already possible today. Not in theory, but directly at your location. We transform your ideas into technical solutions for you, along with the functional and design requirements. To achieve this we work hand in hand with architects, lighting designers, electrical planners and installation companies. To enable you to make the best decision, we bring the planning process to life by using state-of-the-art visualization.



Customization

Refurbishing existing systems requires custom solutions.

When all catalog options are exhausted, our customization process begins. Developing individual customer solutions is our daily bread and butter. Our refurbishment kits can be adapted to any situation, be it suspended drywall ceilings, metal panel ceilings or system ceilings.

Refurbishments can be carried out with minimal effort: In most cases, existing housings and cables can be used, eliminating the need for complex dry-wall and cabling work. Thus, the installation can be carried out during running operation.

Everything is possible. Simply contact us.

1

Modification of standard luminaires

- ✓ Customization of housing dimensions, colors and mounting accessories – for optimal integration into existing ceiling systems
- ✓ Changing the light color and color rendering

2

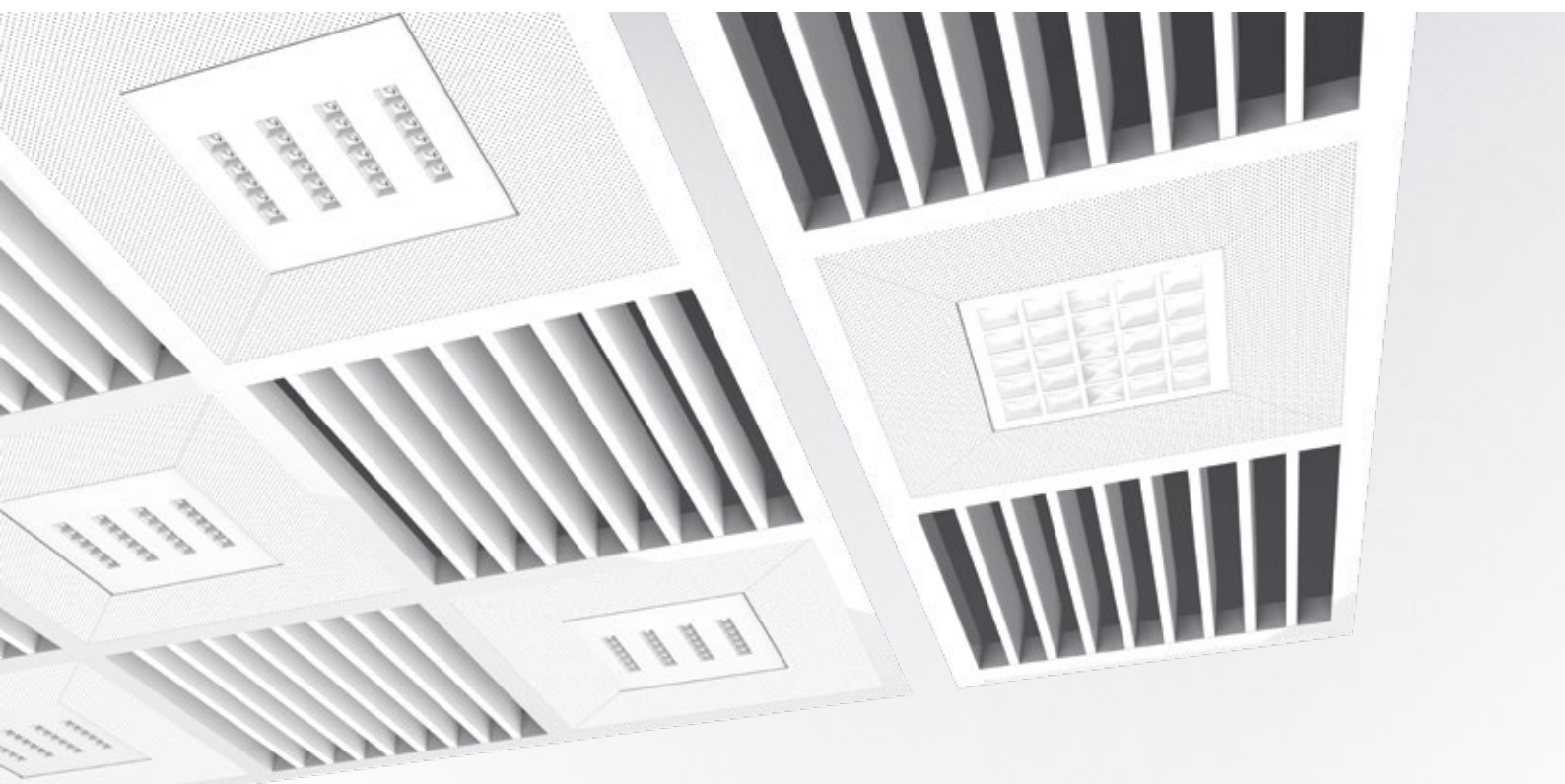
Modular kit systems

- ✓ Versatile, combinable systems for your project solution
- ✓ Modular SITECO optic platforms as the basis for your custom luminaire

3

Development of special luminaires

- ✓ Concept development and project management
- ✓ Construction planning and special luminaire construction with an experienced development team



+ Financing and funding

Our individual financing solutions let you save from day one. The terms are flexible and depend entirely on your needs. We also prepare the efficiency certificate verifying at least 50 % CO₂ savings for the funding application.

- Funding advice
- Financing

We advise on **funding money.**

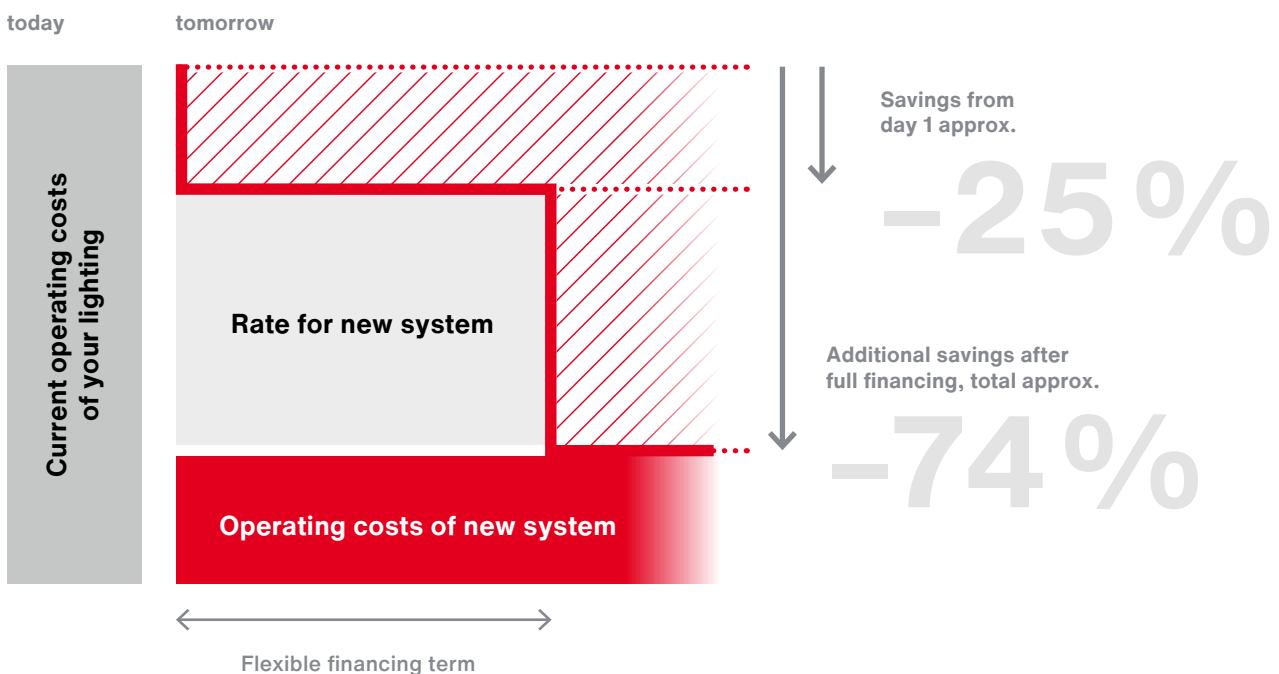
Investing in climate-friendly lighting, you can receive subsidies for efficient indoor and outdoor lighting. How does it work? SITECO knows. We help you select the optimal funding. We work with you to calculate subsidies and financing. And we also assist with the application. Please contact your local SITECO contact person for further details.

We take care of it – you save.



Thanks to financing, very little own resources are required.

We would like to show you how this works. Because it can be done – simply by spreading the investment for the new lighting over several years. It then often carries itself, because more operating costs are saved from day one than are incurred in monthly installments. We will gladly do the calculations for you and your project.



At SITECO, we match the financing exactly to your needs. This means that you save money from day one. Simply contact us for a quote that precisely fits your requirements!

- ⊕ Which funding programs are eligible in which countries?
- ⊕ Calculation of the financing effect
- ⊕ Support with the application

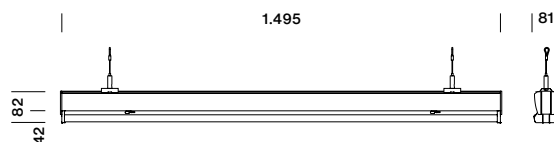
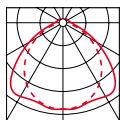
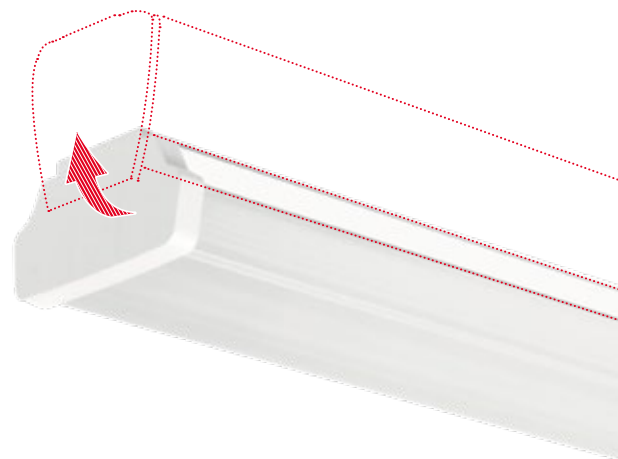
Details and further variants:



Modario 31

The perfect trunking solution for performance and efficiency.

- easy implementation of the latest energy efficiency standards in existing installations
- highly efficient LED inserts with up to 160lm/W – also suitable for refurbishing conventional luminaire inserts in existing Modario systems to use full energy-saving potential
- proven, functional system with state-of-the-art technology
- prismatic frosted optic for low glare and high visual comfort
- quick and simple mounting



Technical data

| | | | |
|------------------------------|---------------------------|---------------------------|--|
| Color temperature | 4,000K | Temperature range | see table; with ceiling surface-mounting, reduction of maximum permissible ambient temperature by 5 °C |
| Luminous flux | 8,930 lm ... 12,380lm | Rated service life | 50,000h (L85/B50) at 25 °C |
| Color rendering index | CRI ≥ 80 | Dimensions | luminaire insert: L = 1,495 mm |
| Luminous efficacy | up to 160 lm/W | Connection voltage | 220 ... 240V AC |
| Beam angle | wide distribution | Housing | sheet steel, white |

Replacement for Modario luminaire insert

| | K | lm 8-level adjustable | W | lm/W | Control | Temp. range | Weight | Order no. |
|---|-------|-----------------------|----|------|---------------------|----------------|--------|----------------|
| 2 x 35W, 2 x 49W or 1 x 80W | 4,000 | 5,040 ... 8,950 | 60 | 150 | ON / OFF Multilumen | -35 ... +30 °C | 1.9 kg | 53BM812M1V4085 |
| 2 x 49W | 4,000 | 8,930 | 62 | 144 | DALI 2 | -25 ... +30 °C | 1.9 kg | 53BM812D2V4085 |
| 2 x 35W, 2 x 49W, 1 x 80W or 2 x 80W | 4,000 | 5,050 ... 12,380 | 77 | 160 | ON / OFF Multilumen | -35 ... +35 °C | 1.9 kg | 53BM812M1V4120 |
| 2 x 80W | 4,000 | 12,350 | 80 | 155 | DALI 2 | -25 ... +30 °C | 1.9 kg | 53BM812D2V4120 |

Accessories

| | Weight | Order no. |
|---|--------|------------|
| End cap, PC, white, 10-pole infeed, set of 2 | 0.1 kg | 5TR90161 |
| Blind insert, steel, white, IP20, length 1,495 mm | 0.5 kg | 5TR30000Q |
| Blind cover, PC / ABS, signal white (RAL 9003), IP20, length 1,495 mm | 0.2 kg | 5TR30200Q2 |

Modario 31 sensor technology

| Function | Product | Family | Order no. |
|------------------------|----------------------|---|--------------|
| Master function (DALI) | Sensor interfaces MD | Modario | 5TR305FCMA |
| | | external | 59US1FCMA |
| | Sensor heads M | Sensor PR1-M, storerooms, corridors | 59US1HXMPR1A |
| | | Sensor PR2-M, shelf warehousing and highbay racking | 59US1HXMPR2A |
| | | Sensor PC1-M, dispatch areas 2 ... 4 m | 59US1HXMP1A |
| Slave function (DALI) | Sensor interfaces S | Modario | 5TR305FCSA |
| | | external | 59US1FCSA |
| | Sensor heads S | Sensor PR1-S, storeroom, corridor | 59US1HXSPR1A |
| | | Sensor PR2-S, shelf warehousing and highbay racking | 59US1HXSPR2A |
| | | Sensor PC1-S, dispatch areas 2 ... 4 m | 59US1HXSP1A |
| Start-up | Smart Remote | Sensor-Head PC5-S, dispatch areas 5 ... 14 m | 59US1HXSP5A |
| | | | 59UC3RCA |

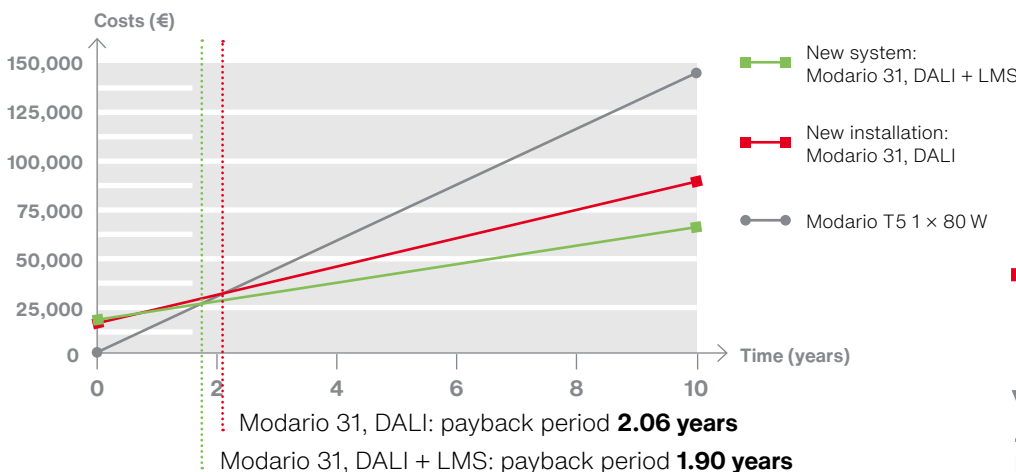
It has never been more worthwhile.

Numbers say more than a thousand words. Our example calculation of a production hall shows you how much can be saved.

Upgrade now. Benefit immediately.

| | Old system | New system with SITECO LED | New system with SITECO LED and control system |
|--|---------------|--------------------------------------|---|
| Luminaire type | T5 1 × 80 W | Modario 31, 8,930 lm (6,690 lm) DALI | Modario 31, 8,930lm (6,690 lm) DALI + LMS |
| No. of luminaires | 115 | 110 | 110 |
| Energy consumption per year (kWh) | 48,034 | 22,165 | 15,516 |
| Operating costs per year (€) | 14,812 | 6,779 | 4,787 |
| Energy | 14,392 | 6,641 | 4,649 |
| Maintenance | 420 | 138 | 138 |
| Payback period (years) | | 2.06 | 1.90 |

Savings of **-68% CO₂**
-68% savings on operating costs



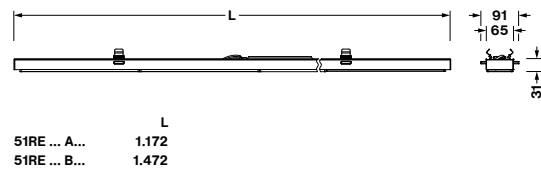
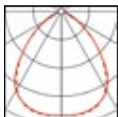
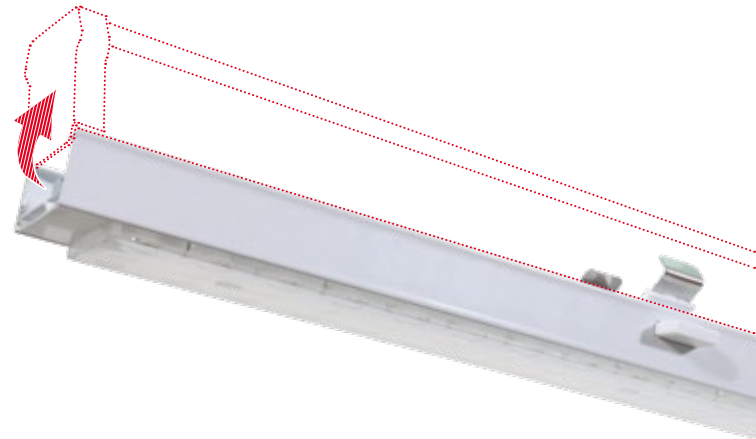
1.9
 years
 payback period



Refurbishment luminaire insert 31

The universal insert for trunking refurbishment.

- enables refurbishment of different trunking systems through individual plug connectors and end caps for length compensation of the luminaire inserts
- easy implementation of the latest energy efficiency standards in existing installations
- simple replacement due to tool-free mounting
- highly efficient LED inserts with up to 160lm/W
- long service life, maintenance-free



Technical data

| | | | |
|------------------------------|---------------------|---------------------------|---|
| Color temperature | 4,000 K | Control | ON / OFF Multilumen |
| Luminous flux | 6,400 lm 8,000 lm | Temperature range | -20 ... +40 °C |
| Color rendering index | CRI ≥ 80 | Rated service life | 50,000h (L85/B50) at 25 °C |
| Luminous efficacy | 160 lm/W | Dimensions | L = 1,172 mm 1,472 mm |
| Beam angle | wide distribution | Connection voltage | 220 ... 240 V AC |
| Cover | PMMA | Housing | extruded aluminum profile, traffic white (RAL 9016) |

Replacement for luminaire insert

| | K | lm 4-level adjustable | W | lm/W | Control | Length | Weight | Order no. |
|-----------------------------|-------|-----------------------|----|------|---------------------|----------|--------|-------------|
| 1 x 36 W or 2 x 36 W | 4,000 | 3,300 ... 6,400 | 40 | 160 | ON / OFF Multilumen | 1,172 mm | 1.2 kg | 51RE12MA46B |
| 1 x 58 W or 2 x 58 W | 4,000 | 4,130 ... 8,000 | 50 | 160 | ON / OFF Multilumen | 1,472 mm | 1.4 kg | 51RE12MB48B |

Accessories for refurbishment of DUS trunking systems*

| | Weight | Order no. |
|---|--------|-----------|
| Plug connector, plastic, white, 3-pole | 0.1 kg | 59RP004 |
| End caps (set of 2), plastic, white, length compensation total + 63 mm, length of insert + end caps: 1,235 / 1,535 mm | 0.1 kg | 59RC1K |
| DUS spring for fixing insert in the DUS rail, set of 2 | 0.1 kg | 59RLOCD |

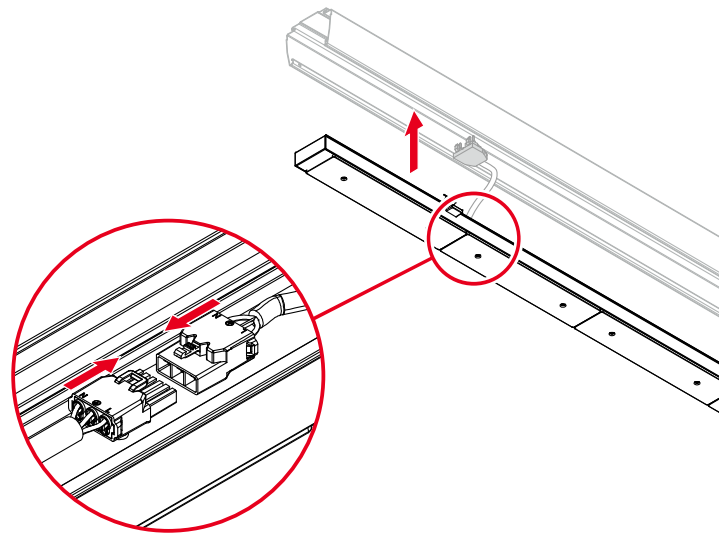
* Accessories for other trunking systems on request.

The universal luminaire insert can be adapted to existing trunkings with corresponding accessories.

1

Plug connectors for trunking rail connection

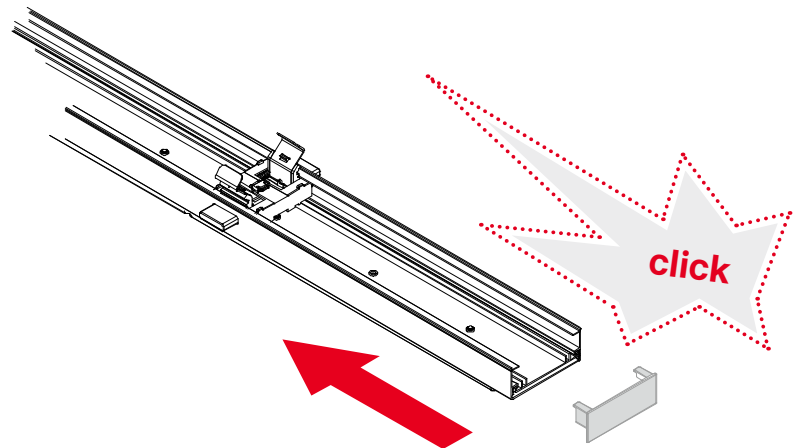
Thanks to individual plug connectors including supply cable, the refurbishment luminaire insert 31 can be installed in various trunking systems.



2

Specific end caps

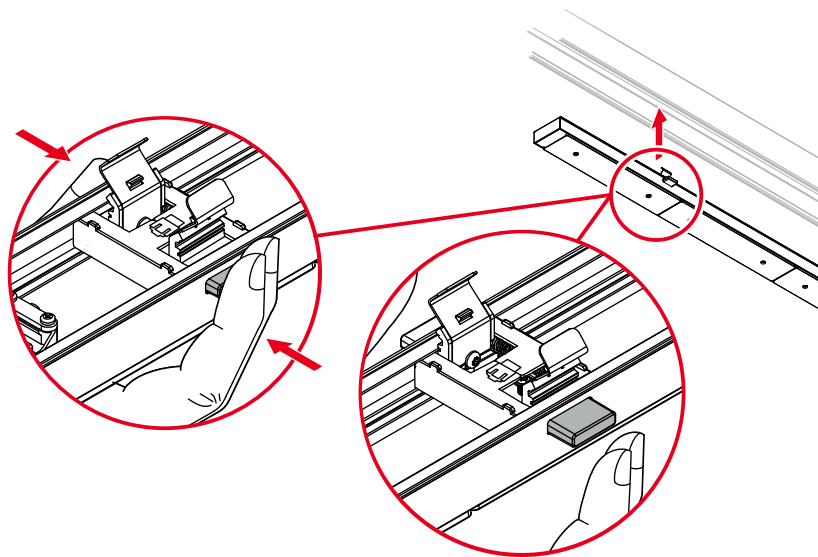
The length is adjusted via individual end caps mounted joint-to-joint.



3

Spring mechanism

The spring mechanism of the refurbishment luminaire insert 31 is compatible with a wide variety of trunking rails and enables simple and tool-free installation of the insert.



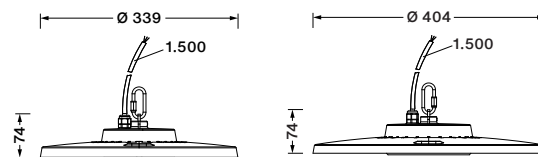
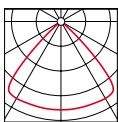
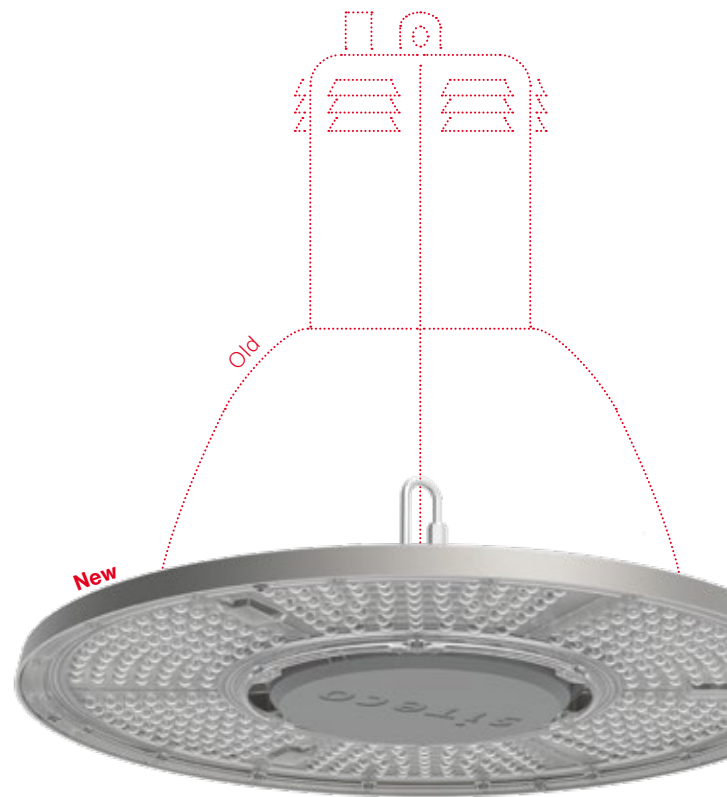
Highbay 31

Details and further variants:



The all-rounder: reliable, efficient and with smart control options.

- long service life and use at increased ambient temperatures up to 45 °C due to excellent thermal management of driver and LEDs
- fast refurbishment thanks to simple one-point mounting
- energy-efficient lighting of 150lm/W with up to 55 % energy and CO₂ savings
- efficient light control and good visual comfort
- suitable for demanding ambient conditions and the food industry due to lens optics made of robust, UV-stabilized PC



Technical data

| | |
|------------------------------|-----------------------|
| Color temperature | 4,000 K |
| Luminous flux | 14,000 lm 28,000 lm |
| Color rendering index | CRI ≥ 80 |
| Luminous efficacy | 150 lm/W |
| Beam angle | 90° |
| Cover | PC |
| Control | ON / OFF |

| | |
|---------------------------|--|
| Temperature range | -30 ... +45 °C |
| Rated service life | 100,000 h (L70/B50) at 35 °C, 70,000 h (L80/B50) at 45 °C, 50,000 h (L85/B50) at 45 °C |
| Connection voltage | 220 ... 240 V AC |
| Housing | die-cast aluminum, gray aluminum (RAL 9007) |

| Replacement for highbay luminaire | K | lm | W | lm/W | Control | Total diam. | Total height | Weight | Order no. |
|-----------------------------------|-------|--------|-----|------|----------|-------------|--------------|--------|--------------|
| 250 W HIE / 250 W HME | 4,000 | 14,000 | 94 | 150 | ON / OFF | 339 mm | 74 mm | 2.3 kg | 51HC427A4FMB |
| 400 W HIE / 400 W HSE | 4,000 | 28,000 | 187 | 150 | ON / OFF | 404 mm | 74 mm | 3.0 kg | 51HC427A4MMB |

Accessories*

| | Weight | Order no. |
|---|--------|-----------|
| Link chain, steel, galvanized, inner link size 5.6 × 31 mm, per running meter | 0.1 kg | 5LY9001 |

* Further accessories on request.

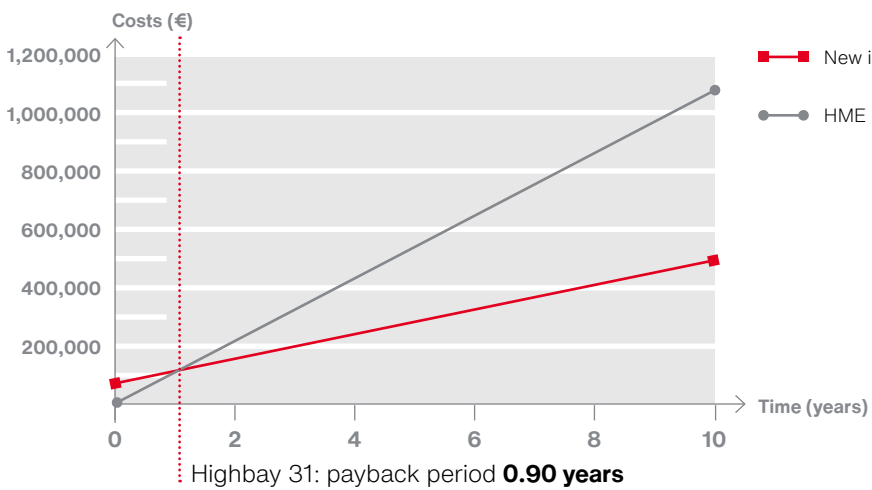
It has never been more worthwhile.

Numbers say more than a thousand words. Our example calculation of a production hall shows you how much can be saved.

Upgrade now. Benefit immediately.

| | Old system | New system with SITECO LED |
|--|----------------|----------------------------|
| Luminaire type | HME 400 W | Highbay 31, 28,000 lm |
| No. of luminaires | 170 | 170 |
| Energy consumption per year (kWh) | 344,893 | 145,916 |
| Operating costs per year (€) | 106,825 | 43,975 |
| Energy | 103,337 | 43,720 |
| Maintenance | 3,488 | 255 |
| Payback period (years) | | 0.90 |

Savings of **-58% CO₂**
-59% savings on operating costs



0.9
 years
 payback period

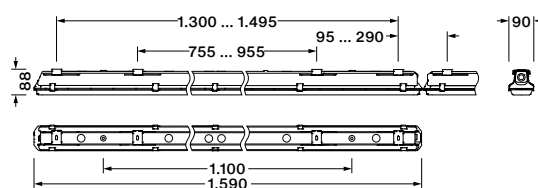
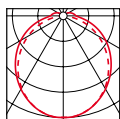
Monsun 21

Details and further variants:



The damp-proof luminaire with a bright future.

- reliable, robust and with upgradeable intelligence
- equipped for harsh environments and use in exposed outdoor areas thanks to IP66 protection rating
- control is flexibly adaptable with upgradeable sensor technology
- for use in industry and parking garages
- optimum glare control for industrial and manual work



Technical data

| | | | |
|------------------------------|---------------------------|---------------------------|--|
| Color temperature | 4,000 K | Rated service life | 50,000 h (L85/B50) at 35 °C |
| Luminous flux | 3,340 lm ... 6,000 lm | Connection voltage | 220 ... 240 V AC |
| Color rendering index | CRI ≥ 80 | Housing | polyester, glass fiber reinforced, light gray |
| Luminous efficacy | up to 167 lm/W | Mounting | • ceiling surface-mounting (luminaire includes fixing accessories) • with accessories: suspended mounting surface-mounting horizontal or vertical wall mounting installation on Licross trunking rail |
| Beam angle | diffuse distribution | | |
| Cover | PMMA PC | | |
| Control | ON / OFF | | |
| Temperature range | -25 ... +35 °C | | |

Replacement for damp-proof luminaire

| | K | lm | W | lm/W | Control | Impact resistance | Length | Weight | Order no. |
|-----------------------------|-------|-------|----|------|----------|-------------------|----------|--------|--------------|
| 1 x 58 W with PMMA diffuser | 4,000 | 3,710 | 22 | 167 | ON / OFF | IK04 | 1,590 mm | 2.5 kg | 51FB107P430J |
| 2 x 58 W with PMMA diffuser | 4,000 | 6,000 | 38 | 158 | ON / OFF | IK04 | 1,590 mm | 2.5 kg | 51FB107P460B |
| 1 x 58 W with PC diffuser | 4,000 | 3,340 | 22 | 150 | ON / OFF | IK08 | 1,590 mm | 2.5 kg | 51FB207P430J |
| 2 x 58 W with PC diffuser | 4,000 | 5,400 | 38 | 142 | ON / OFF | IK08 | 1,590 mm | 2.5 kg | 51FB207P460B |

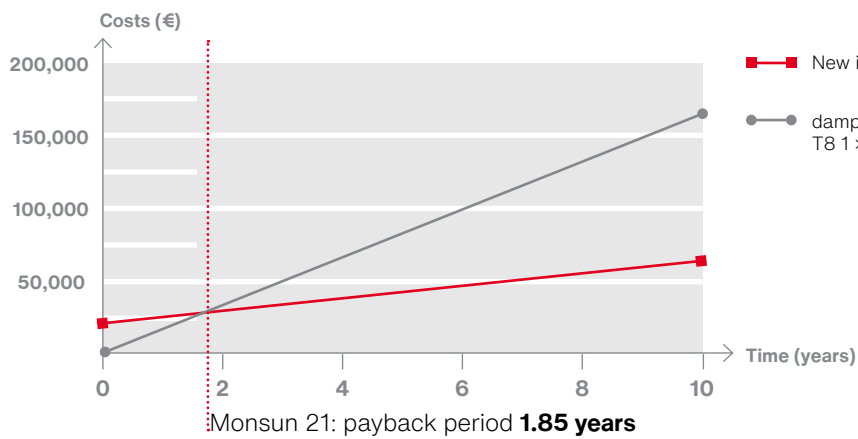
It has never been more worthwhile.

Numbers say more than a thousand words. Our example calculation of a technical room shows how much can be saved.

Upgrade now. Benefit immediately.

| | Old system | New system with SITECO LED |
|--|---------------|----------------------------|
| Luminaire type | T8 1 × 58 W | Monsun 21, 3,710 lm |
| No. of luminaires | 156 | 156 |
| Energy consumption per year (kWh) | 48,691 | 15,753 |
| Operating costs per year (€) | 15,720 | 4,915 |
| Energy | 14,589 | 4,720 |
| Maintenance | 1,131 | 195 |
| Payback period (years) | | 1.85 |

Savings of **-68% CO₂**
-69% savings on operating costs



1.9
 years
 payback period

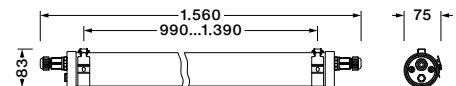
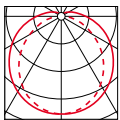
Monsun 31 Tube

Details and further variants:



Built for the toughest conditions.

- robust, gas-tight luminaire with IP69K protection rating
- resistant to harmful gases such as sulfur and ammonia
- designed to resist high pressure jet cleaning with hot water
- suitable for e.g. tire stores, animal stalls and car washes



Technical data

| | | | |
|------------------------------|----------------------------|---------------------------|---|
| Color temperature | 4,000 K | Rated service life | 50,000 h (L80/B50) at 25 °C |
| Luminous flux | 6,500 lm ... 10,000 lm | Connection voltage | 220 ... 240 V AC |
| Color rendering index | CRI ≥ 80 | Housing | PMMA, cylindrical, matt white, partially transparent, end cap, stainless steel (V4A) |
| Luminous efficacy | 160 lm/W | Mounting | surface-mounting and suspended mounting, also available as insert for trunking rail (Licross / Modario) |
| Beam angle | wide distribution | | |
| Control | ON / OFF | | |
| Temperature range | -20 ... +40 °C | | |

Replacement for damp-proof luminaire

| | K | lm | W | lm/W | Control | Length | Weight | Order no. |
|-----------------|-------|--------|----|------|----------|----------|--------|--------------|
| 1 × 58 W | 4,000 | 6,500 | 41 | 160 | ON / OFF | 1,560 mm | 1.8 kg | 51FT107N460A |
| 2 × 58 W | 4,000 | 8,000 | 50 | 160 | ON / OFF | 1,560 mm | 1.8 kg | 51FT107N480A |
| 2 × 58 W | 4,000 | 10,000 | 62 | 160 | ON / OFF | 1,560 mm | 1.8 kg | 51FT107N4A0A |

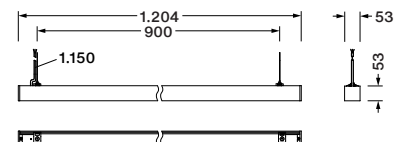
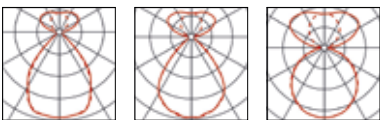
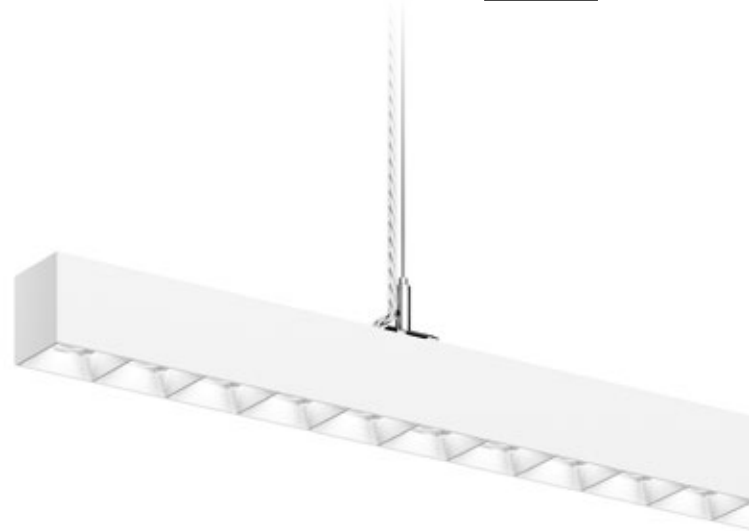


Silica 21

Exactly your light.

- Ideal basis for a smart office due to flexible upgrade of the luminaire with intelligent sensor technology, e. g. for room data acquisition with open interface
- Sustainability due to easily replaceable components
- Individual project solutions thanks to modular design

Details and further variants:



Technical data

| | |
|------------------------------|--|
| Color temperature | 2,700 K ... 6,500 K |
| Luminous flux | 4,120 lm ... 7,680 lm |
| Color rendering index | CRI \geq 80 |
| Luminous efficacy | up to 175 lm/W |
| Beam angle | wide distribution, symmetric extremely wide distribution, symmetric wallwasher, asymmetric |

| | |
|---------------------------|--|
| Cover | PMMA darklight reflector PMMA prismatic diffusor PMMA opal cover |
| Control | DALI 2 DALI DT8 |
| Temperature range | 0 ... +35 °C |
| Connection voltage | 220 ... 240 V AC |
| Housing | aluminum, white (RAL 9016) or black (RAL 9005) |

ELDACON® L – with darklight reflector, white

| Replacement for office luminaire | Beam angle | K | lm | W | lm/W | Control | Weight | Order no. |
|-------------------------------------|-------------------|-------|-------|----|------|---------|--------|--------------|
| T8 2 × 36 W alt. T5 2 × 28 W | wide distribution | 3,000 | 7,060 | 43 | 164 | DALI 2 | 3.0 kg | 51MX36DA37WB |
| T8 2 × 36 W alt. T5 2 × 28 W | wide distribution | 4,000 | 7,060 | 40 | 175 | DALI 2 | 3.0 kg | 51MX36DA47WB |

ELDACON® L – with darklight reflector, black

| Replacement for office luminaire | Beam angle | K | lm | W | lm/W | Control | Weight | Order no. |
|-------------------------------------|-------------------|---------------------|-------|----|------|----------|--------|--------------|
| T8 2 × 36 W alt. T5 2 × 28 W | wide distribution | 2,700 ... 6,500 | 6,220 | 56 | 111 | DALI DT8 | 3.0 kg | 51MX32TAT7B |
| T8 2 × 36 W alt. T5 2 × 28 W | wide distribution | 3,000 | 7,290 | 47 | 156 | DALI 2 | 3.0 kg | 51MX32DA37BB |
| T8 2 × 36 W alt. T5 2 × 28 W | wide distribution | 4,000 | 7,290 | 44 | 166 | DALI 2 | 3.0 kg | 51MX32DA47BB |
| T8 2 × 36 W alt. T5 2 × 28 W | wallwasher | 4,000 | 7,680 | 50 | 154 | DALI 2 | 3.0 kg | 51MX34DA47BB |

ELDACON® P – with prismatic optics

| Replacement for office luminaire | Beam angle | K | lm | W | lm/W | Control | Weight | Order no. |
|-------------------------------------|-----------------------------|---------------------|-------|----|------|----------|--------|--------------|
| T8 2 × 36 W alt. T5 2 × 28 W | extremely wide distribution | 2,700 ... 6,500 | 5,740 | 57 | 102 | DALI DT8 | 3.0 kg | 51MX33TAT7W |
| T8 2 × 36 W alt. T5 2 × 28 W | extremely wide distribution | 3,000 | 5,910 | 41 | 143 | DALI 2 | 3.0 kg | 51MX33DA37WB |
| T8 2 × 36 W alt. T5 2 × 28 W | extremely wide distribution | 4,000 | 5,910 | 38 | 154 | DALI 2 | 3.0 kg | 51MX33DA47WB |

with opal cover

| Replacement for corridor luminaire | Beam angle | K | lm | W | lm/W | Control | Weight | Order no. |
|-------------------------------------|-----------------------------|---------------------|-------|----|------|----------|--------|--------------|
| T8 2 × 36 W alt. T5 2 × 28 W | extremely wide distribution | 2,700 ... 6,500 | 4,120 | 36 | 116 | DALI DT8 | 3.0 kg | 51MX30TAT4W |
| T8 2 × 36 W alt. T5 2 × 28 W | extremely wide distribution | 3,000 | 4,210 | 28 | 152 | DALI 2 | 3.0 kg | 51MX30DA34WB |
| T8 2 × 36 W alt. T5 2 × 28 W | extremely wide distribution | 4,000 | 4,210 | 26 | 162 | DALI 2 | 3.0 kg | 51MX30DA44WB |

For customized options please contact your SITECO sales representative.

| Accessories | Weight | Order no. |
|--|--------|-------------|
| Pendant set, square canopy, white, length 1.2 m | 0.3 kg | 59MX30DH20W |
| Pendant set, round canopy, white, length 1.2 m | 0.3 kg | 59MX30DJ20W |
| Pendant set, square canopy, silver, length 1.2 m | 0.3 kg | 59MX30DH20S |
| Pendant set, round canopy, silver, length 1.2 m | 0.3 kg | 59MX30DJ20S |

It has never been more worthwhile.

Numbers say more than a thousand words. Our example calculation of a group office shows how much can be saved.

Upgrade now. Benefit immediately.

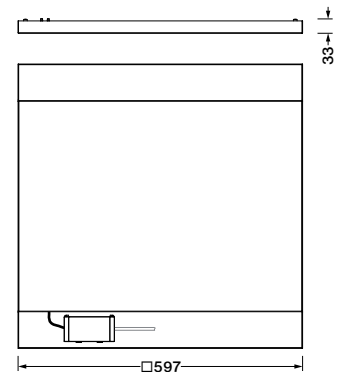
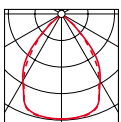
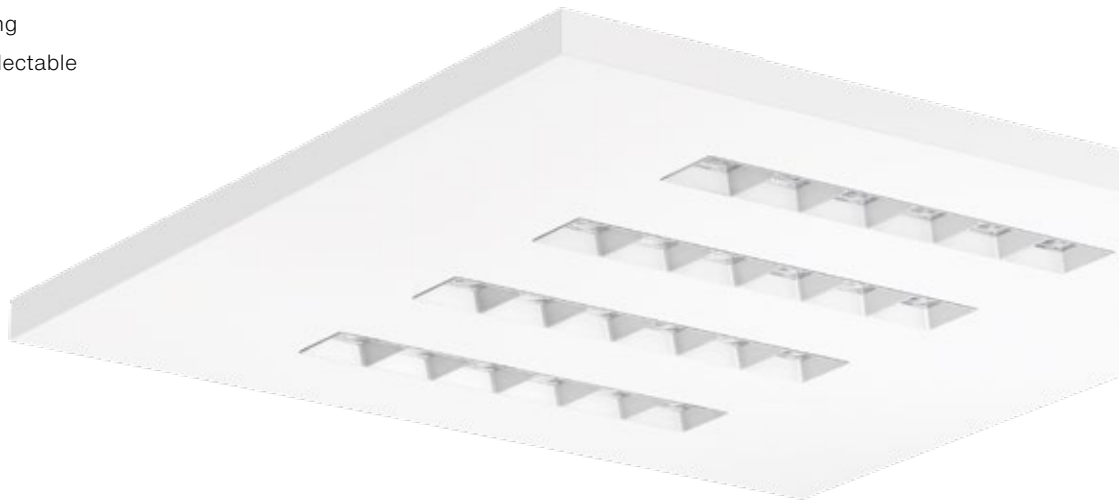
| | Old system | New system with SITECO LED |
|--|--------------|--|
| Luminaire type | T5 2 × 36W | Silica 21, 5,910 lm |
| No. of luminaires | 50 | 50 |
| Energy consumption per year (kWh) | 9,000 | 5,125 |
| | | Savings of -42 % CO₂ |
| Operating costs per year (€) | 6,220 | 1,948 |
| Energy | 3,420 | 1,948 |
| Maintenance | 2,800 | 0 |
| | | -43 % savings on energy costs |
| Payback period (years) | | 4.03 |

Silica 21 square



Exactly your light.

- efficient recessed luminaire with up to 185lm/W for offices, public buildings, kindergartens and schools
- high-quality aluminum housing
- LED module arrangement selectable between parallel and square
- simple mounting concept



Technical data

| | | | |
|------------------------------|--------------------------------------|---------------------------|-----------------------------|
| Color temperature | 3,000 K 4,000 K | Control | DALI 2 |
| Luminous flux | 4,600 lm | Temperature range | 0 ... +35 °C |
| Color rendering index | CRI ≥ 80 | Rated service life | 50,000 h (L85/B50) at 25 °C |
| Luminous efficacy | up to 185 lm/W | Connection voltage | 220 ... 240 V AC |
| Beam angle | direct, wide distribution, symmetric | Housing | aluminum, white (RAL 9016) |
| Cover | aluminum darklight reflector | | |

Replacement for 600 × 600 mm luminaire

| | K | lm | W | lm/W | Control | Weight | Order no. |
|--------------------|-------|-------|----|------|---------|--------|-------------|
| T8 4 × 18 W | 3,000 | 4,600 | 27 | 172 | DALI 2 | 4.5 kg | 51MX6MDS34W |
| T8 4 × 18 W | 4,000 | 4,600 | 25 | 185 | DALI 2 | 4.5 kg | 51MX6MDS44W |

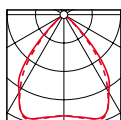
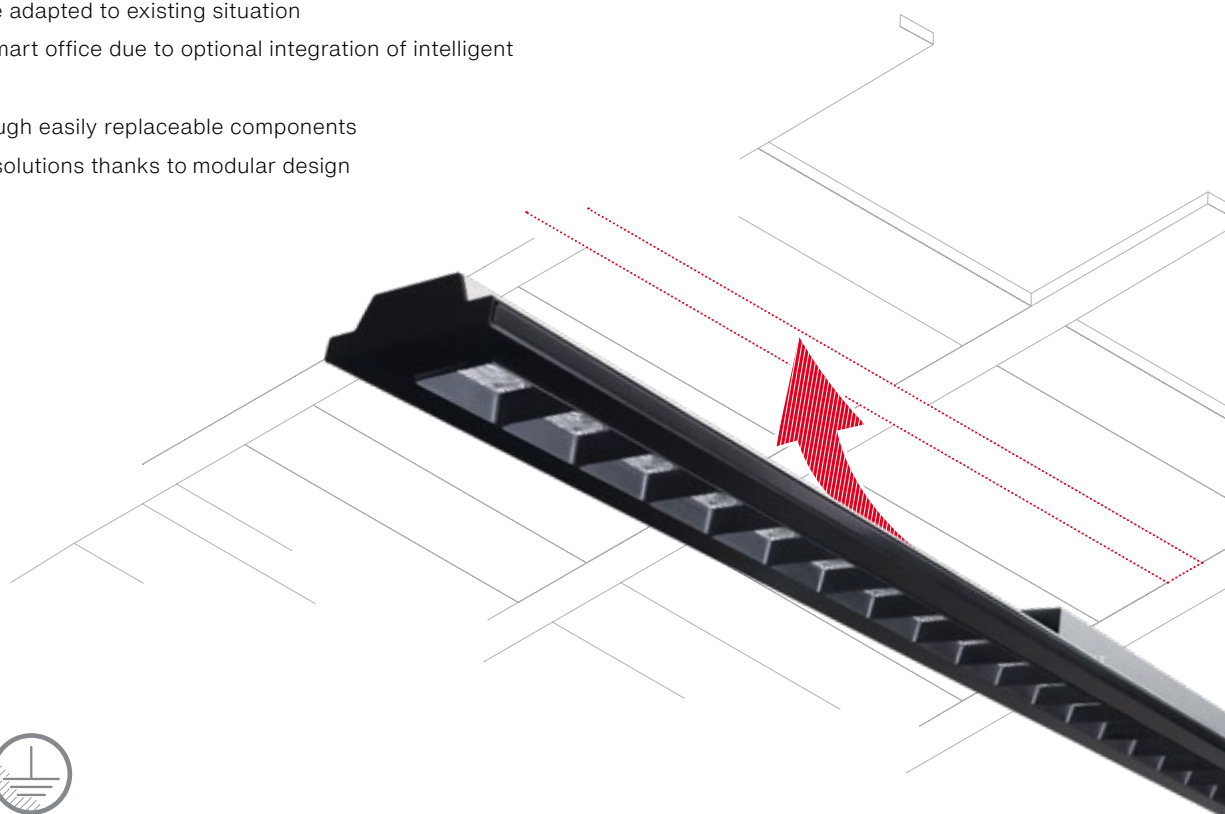
Accessories

| | Weight | Order no. |
|--|--------|-------------|
| Rapid-mount set for ceiling cutouts, sheet steel, galvanized | 0.7kg | 59MX600H00X |

Silica 21 refurbishment insert

Slim and integrative for any ceiling system.

- combination of two optical systems ensures optimum visual conditions for different lighting requirements
- dimensions can be adapted to existing situation
- ideal basis for a smart office due to optional integration of intelligent sensor technology
- sustainability through easily replaceable components
- individual project solutions thanks to modular design



Technical data

| | | | |
|------------------------------|----------------------------|---------------------------|---|
| Color temperature | 4,000 K | Temperature range | 0 ... +35 °C |
| Luminous flux | 4,320 lm ... 10,800 lm | Rated service life | 50,000 h (L85/B50) at 25 °C |
| Color rendering index | CRI ≥ 80 | Mounting | • installation in ceiling cutouts • installation in modular ceilings |
| Luminous efficacy | up to 143 lm/W | Connection voltage | 220 ... 240 V AC |
| Beam angle | wide distribution | Housing | • steel, traffic white (RAL 9016) microstructure, matt • metallic gray (RAL 9006) microstructure • deep black (RAL 9005) microstructure |
| Cover | PMMA | | |
| UGR | ≤ 19 | | |
| Control | DALI 2 | | |

| Replacement for linear luminaire | K | lm* | W* | lm/W | Control | Length mm | Width mm | Order no. |
|---|-------|--------|----|------|---------|---------------|-------------|------------|
| with T5 lamps: 1 × 54 W with T8 lamps: 1 × 36 W | 4,000 | 4,320 | 26 | 169 | DALI 2 | approx. 1,250 | approx. 180 | |
| with T5 lamps: 2 × 54 W with T8 lamps: 2 × 36 W | 4,000 | 8,640 | 52 | 169 | DALI 2 | approx. 1,250 | approx. 310 | |
| with T5 lamps: 1 × 35 W / 49 W with T8 lamps: 1 × 58 W | 4,000 | 5,400 | 32 | 169 | DALI 2 | approx. 1,545 | approx. 180 | on request |
| with T5 lamps: 2 × 35 W / 49 W with T8 lamps: 2 × 58 W | 4,000 | 10,800 | 64 | 169 | DALI 2 | approx. 1,545 | approx. 310 | |

* Luminous flux and wattage adapted to the existing situation in each case.

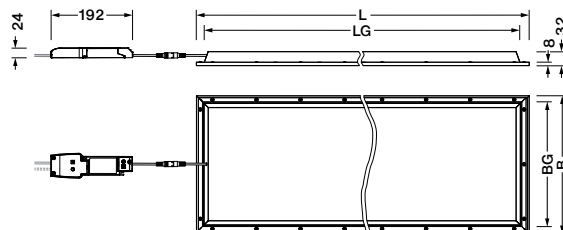
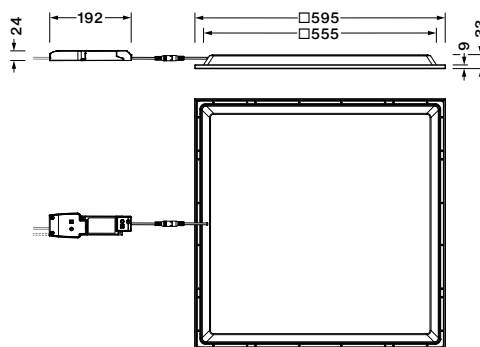
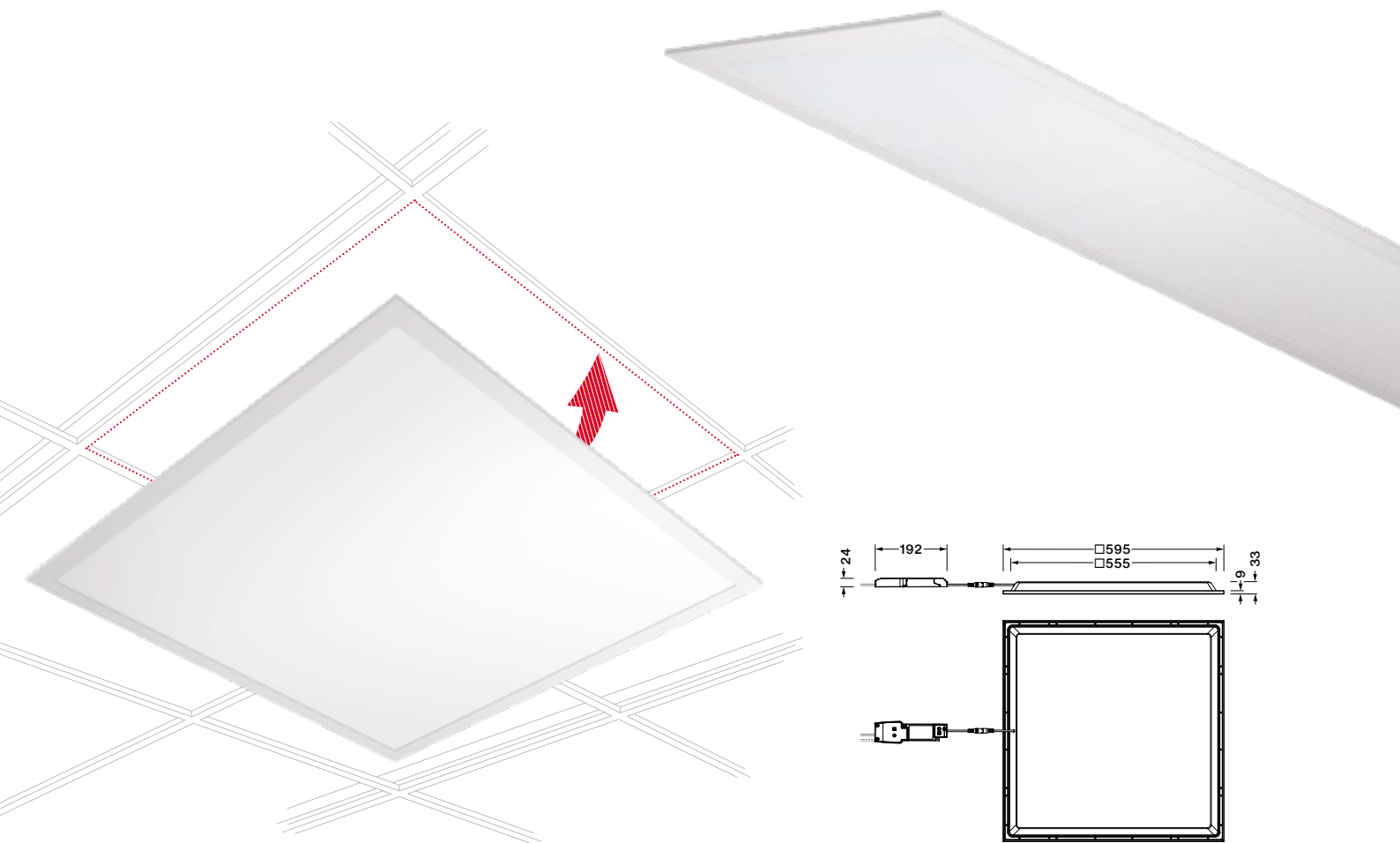
Apollon 21

Details and further variants:

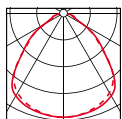


Flexible, efficient and attractive in offices and public buildings.

- versatile luminaire family in different geometries and mounting variants for the complete office building
- excellent quality of light, high efficacy and various control options
- ideal lighting solution for offices, foyers, meeting rooms and general building areas



| L | LG | B | BG |
|-------|-------|-----|-----|
| 1.245 | 1.207 | 179 | 141 |
| 1.245 | 1.207 | 307 | 269 |
| 1.545 | 1.507 | 179 | 141 |
| 1.545 | 1.507 | 307 | 269 |



Technical data

| | | | |
|------------------------------|---------------------------|---------------------------|---|
| Color temperature | 4,000 K | Rated service life | 50,000 h (L85/B50) at 25 °C |
| Luminous flux | 2,400 lm ... 7,200 lm | Connection voltage | 220 ... 240 V AC |
| Color rendering index | CRI ≥ 80 | Housing | coated aluminum, traffic white (RAL 9016) |
| Luminous efficacy | up to 175 lm/W | Mounting | Lay-in mounting in system ceilings without further luminaire-specific accessories With accessories: • installation in ceiling cutouts • ceiling surface-mounting • suspended mounting |
| Beam angle | wide distribution | | |
| Cover | microprismatic, PMMA | | |
| UGR | ≤ 19 | | |
| Control | ON / OFF DALI 2 | | |
| Temperature range | -20 ... +40 °C | | |

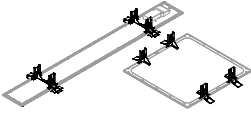
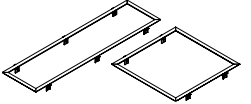
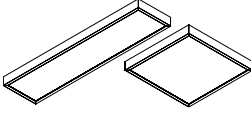
Replacement for square recessed luminaire Module 600

| | K | lm | W | lm/W | Control | Length | Width | Weight | Order no. |
|--|-------|-------|----|------|----------|--------|-------|--------|---------------|
| with T5 lamps: 3 × 24 W or 4 × 14 W | 4,000 | 4,200 | 25 | 170 | DALI 2 | 596 | 596 | 1.8 kg | 51MQ12WD2454* |
| with T8 lamps: 3 × 18 W or 4 × 18 W | 4,000 | 4,200 | 24 | 175 | ON / OFF | 596 | 596 | 1.8 kg | 51MQ12W72414 |

Replacement for linear luminaire

| | | | | | | | | | |
|---|-------|-------|----|-----|----------|-------|-----|--------|--------------|
| with T5 lamps: 1 × 28 W with T8 lamps: 1 × 36 W | 4,000 | 2,400 | 14 | 175 | ON / OFF | 1,245 | 179 | 1.5 kg | 51MQ15W72414 |
| with T5 lamps: 2 × 28 W with T8 lamps: 2 × 36 W | 4,000 | 4,000 | 25 | 175 | ON / OFF | 1,245 | 307 | 2.4 kg | 51MQ14W72414 |
| with T5 lamps: 1 × 35 W / 49 W with T8 lamps: 1 × 58 W | 4,000 | 4,000 | 25 | 175 | ON / OFF | 1,545 | 179 | 1.8 kg | 51MQ16W72414 |
| with T5 lamps: 2 × 35 W / 49 W with T8 lamps: 2 × 58 W | 4,000 | 7,200 | 44 | 175 | ON / OFF | 1,545 | 307 | 2.8 kg | 51MQ17W72414 |

Accessories for recessed and surface-mounting

| | Description | Dimensions mm | Order no. |
|--|---|---------------|--------------|
| Rapid-mount bracket for recessing <small>not suitable for 600 × 600 already included for 300 × 300</small> |  Rapid-mount bracket, sheet steel, galvanized, packing unit: set of 4 | | 5MQ90040XC |
| Ceiling recessing frame |  Recessing frame, sheet steel, white, for luminaire with dimensions: | 600 × 600 | 59MQ12005024 |
| | | 1,245 × 181 | 59MQ15005024 |
| | | 1,245 × 310 | 59MQ14005024 |
| | | 1,545 × 181 | 59MQ16005024 |
| | | 1,545 × 310 | 59MQ17005024 |
| Surface-mount housing (kit) |  Kit for surface-mount housing, sheet steel, white, height 70mm, for luminaire with dimensions: | 600 × 600 | 59MQ22005024 |
| | | 1,245 × 181 | 59MQ25004024 |
| | | 1,245 × 310 | 59MQ24004024 |
| | | 1,545 × 181 | 59MQ26004024 |
| | | 1,545 × 310 | 59MQ27004024 |

It has never been more worthwhile.

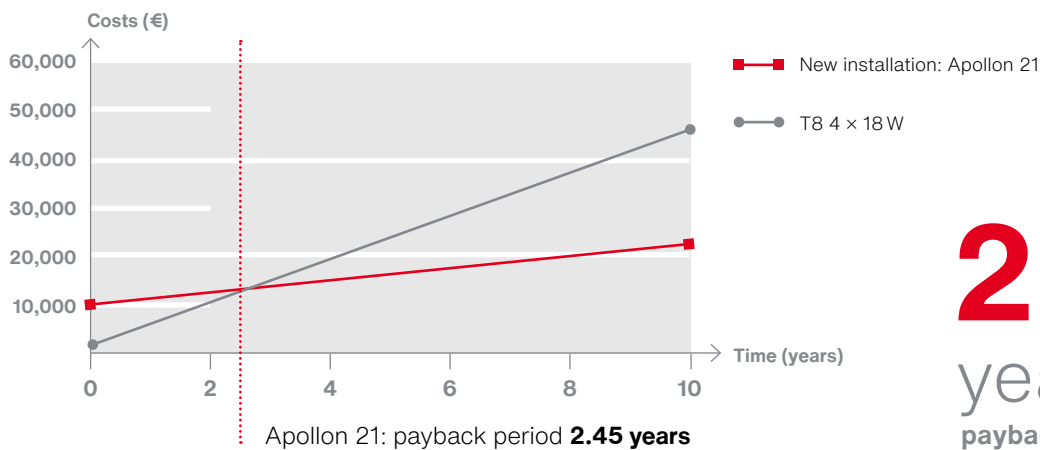
Numbers say more than a thousand words. Our example calculation of a group office shows how much can be saved.

Upgrade now. Benefit immediately.

| | Old system | New system with SITECO LED |
|--|---------------|----------------------------|
| Luminaire type | T8 4 x 18 W | Apollon 21, 4,200 lm |
| No. of luminaires | 72 | 72 |
| Energy consumption per year (kWh) | 12,960 | 4,320 |
| Operating costs per year (€) | 6,449 | 1,512 |
| Energy | 4,536 | 1,512 |
| Maintenance | 1,913 | 0 |
| Payback period (years) | | 2.45 |

Savings of **-60% CO₂**

-67% savings on energy costs



2.5
years
payback period

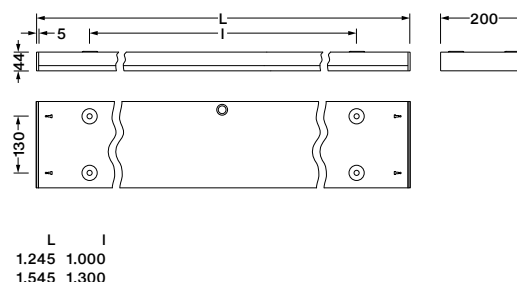
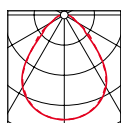
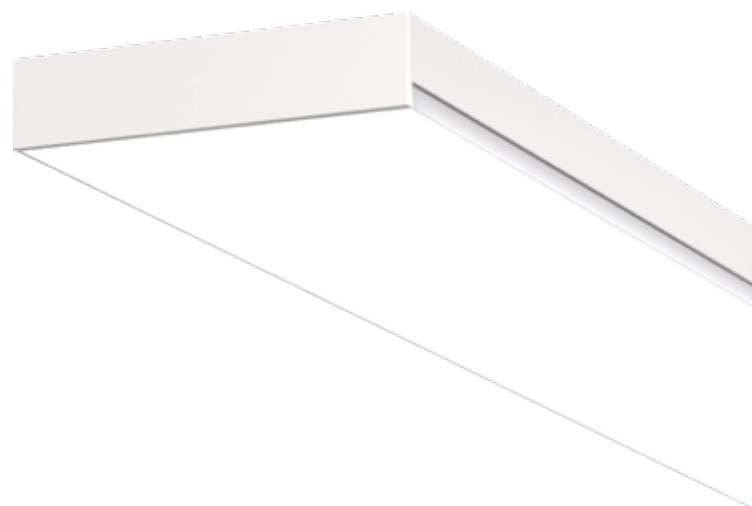
Details and further variants:



Apollon 31 Surface

The smart surface-mounted and pendant solution.

- durable replacement for conventional louver luminaires
- excellent visual comfort and suitable for computer workstations thanks to UGR ≤ 19
- efficient operation with up to 139lm/W
- uniformly illuminated cover without dark spots
- easy installation and maintenance due to separation of gear tray from ECG and luminaire insert
- tool-free electrical contacting and through-wiring up to 2.5 mm²
- easy installation of continuous rows possible



Technical data

| | | | |
|------------------------------|---------------------------|---------------------------|--|
| Color temperature | 4,000 K | Temperature range | -20 ... +40 °C |
| Luminous flux | 3,800 lm ... 7,700 lm | Rated service life | 50,000h (L80/B50) at 25 °C |
| Color rendering index | CRI ≥ 80 | Mounting | Ceiling surface-mounting With accessories: • suspended mounting • continuous row mounting |
| Luminous efficacy | up to 139 lm/W | Connection voltage | 220 ... 240 V AC |
| Beam angle | direct, wide distribution | Housing | coil-coated sheet steel, traffic white (RAL 9016) |
| Cover | microprismatic, PMMA | | |
| UGR | ≤ 19 | | |
| Control | ON / OFF Multilumen | | |

Replacement for surface-mounted luminaires

| | K | lm | W | lm/W | Control | Length | Width | Weight | Color | Order no. |
|---|-------|--------------------|----|------|---------------------|--------|-------|--------|------------------|---------------|
| with T5 lamps: 2 × 28 W / 1 × 54 W with T8 lamps: 1 × 36 W / 2 × 36 W | 4,000 | 3,800 (max. 5,000) | 27 | 139 | ON / OFF Multilumen | 1,245 | 200 | 3.0 kg | white (RAL 9016) | 51MP25WM2441W |
| with T5 lamps: 1 × 35 W / 2 × 35 W 1 × 49 W / 2 × 49 W with T8 lamps: 1 × 58 W / 2 × 58 W | 4,000 | 4,600 (max. 7,700) | 33 | 139 | ON / OFF Multilumen | 1,545 | 200 | 5.5 kg | white (RAL 9016) | 51MP26WM2441W |

Accessories for recessed and surface-mounting

| | Description | Order no. |
|---------------------------------|---|--------------|
| Y-wire suspension | For ON / OFF luminaire: Y-wire suspension, ceiling sleeve, with 4 terminals, 1-pole, max. 2.5 mm ² | 59MQ31000021 |
| Continuous row connector | Sheet steel | 59MP20007021 |

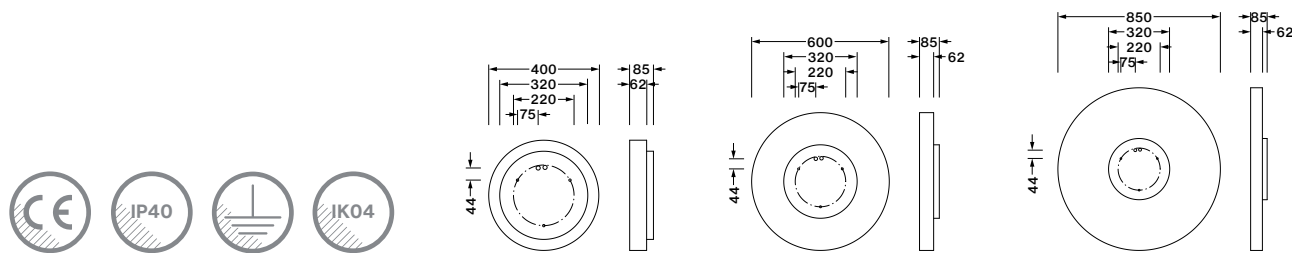
Round 21

Details and further variants:



Always the ideal light.

- efficient wall and ceiling luminaire with up to 136lm/W for kindergartens, schools, offices, foyers and hotels
- available in three sizes with a high-quality aluminum housing
- creates a pleasant room atmosphere thanks to ceiling illumination via indirect component
- multilumen and color switch variants for best individual light characteristics
- simple mounting concept



Technical data

| | | | |
|------------------------------|---------------------------|---------------------------|------------------------------|
| Color temperature | 2,700 K ... 6,500 K | Control | DALI 2 ON / OFF Multilumen |
| Luminous flux | 2,950 lm ... 9,660 lm | Temperature range | -10 ... +35 °C |
| Color rendering index | CRI ≥ 80 | Rated service life | 50,000 h (L80/B20) at 25 °C |
| Luminous efficacy | up to 136 lm/W | Connection voltage | 230V AC |
| Beam angle | 85° 105° | Housing | Aluminum, white |
| Cover | PMMA | | |

| Replacement for | Beam angle | K | lm | W | lm/W | Control | Diameter | Weight | Order no. |
|--------------------------------------|------------|-----------------|-------|----|------|---------------------|----------|---------|---------------|
| T16-R 55 W / 60 W | 85° | 3,000 | 2,950 | 28 | 105 | DALI 2 | 400 mm | 3.9 kg | 51MR34ND0321W |
| T16-R 55 W / 60 W | 105° | 3,000 | 3,420 | 30 | 113 | DALI 2 | 400 mm | 3.9 kg | 51MR34GD0321W |
| T16-R 55 W / 60 W | 85° | 4,000 | 3,090 | 28 | 110 | DALI 2 | 400 mm | 3.9 kg | 51MR34ND0421W |
| T16-R 55 W / 60 W | 105° | 4,000 | 3,580 | 30 | 118 | DALI 2 | 400 mm | 3.9 kg | 51MR34GD0421W |
| TC-L 2st 55 W + 2st TC-L 36 W | 105° | 3,000 | 5,500 | 40 | 136 | ON / OFF Multilumen | 600 mm | 5.8 kg | 51MR36GM8321W |
| TC-L 2st 55 W + 2st TC-L 36 W | 85° | 3,000 | 5,860 | 55 | 108 | DALI 2 | 600 mm | 5.8 kg | 51MR36ND0321W |
| TC-L 2st 55 W + 2st TC-L 36 W | 105° | 3,000 | 6,790 | 55 | 124 | DALI 2 | 600 mm | 5.8 kg | 51MR36GD0321W |
| TC-L 2st 55 W + 2st TC-L 36 W | 105° | 4,000 | 5,500 | 40 | 136 | ON / OFF Multilumen | 600 mm | 5.8 kg | 51MR36GM8421W |
| TC-L 2st 55 W + 2st TC-L 36 W | 85° | 4,000 | 6,130 | 55 | 112 | DALI 2 | 600 mm | 5.8 kg | 51MR36ND0421W |
| TC-L 2st 55 W + 2st TC-L 36 W | 105° | 4,000 | 7,110 | 55 | 130 | DALI 2 | 600 mm | 5.8 kg | 51MR36GD0421W |
| TC-L 2st 55 W + 2st TC-L 36 W | 105° | 2,700 ... 6,500 | 4,060 | 41 | 98 | DALI 2 | 600 mm | 5.4 kg | 51MR36FD0T21W |
| TC-L 4st 55 W + 2st TC-L 36 W | 85° | 3,000 | 9,230 | 83 | 111 | DALI 2 | 850 mm | 10.6 kg | 51MR38ND0321W |
| TC-L 4st 55 W + 2st TC-L 36 W | 85° | 4,000 | 9,660 | 83 | 116 | DALI 2 | 850 mm | 10.6 kg | 51MR38ND0421W |

Accessories

| | Weight | Order no. |
|--------------------------------------|--------|---------------|
| Wire suspension, round canopy, white | 0.5 kg | 59MR300D0021W |

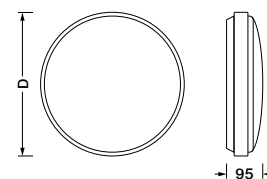
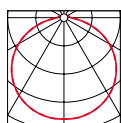
Rondel 31

Details and further variants:



Practical and robust.

- for replacement of surface-mounted luminaires equipped with compact fluorescent lamps
- efficient wall and ceiling luminaire for entrance areas, staircases, corridors, hallways and ancillary rooms
- IP65 and IK10 – especially resistant
- quick and simple mounting



D
 Ø 350
 Ø 480

± 95

Technical data

| | | | |
|------------------------------|---------------------------|---------------------------|------------------------------|
| Color temperature | 3,000 K 4,000 K | Control | ON / OFF Multilumen |
| Luminous flux | 1,800 lm ... 4,400 lm | Temperature range | -20 ... +40 °C |
| Color rendering index | CRI ≥ 80 | Rated service life | 50,000 h (L80/B50) at 25 °C |
| Luminous efficacy | up to 134 lm/W | Mounting | ceiling or wall mounting |
| Beam angle | direct distribution | Connection voltage | 220 ... 240 V AC |
| Cover | PMMA | Housing | PC, traffic white (RAL 9016) |

Replacement for wall and ceiling luminaires with compact fluorescent lamps

| | K | lm 4-level adjustable | W | lm/W | Diameter | Weight | Order no. |
|--------------------------------------|-------|-----------------------|----|------|----------|--------|-------------|
| 2 x TC-F 24 W | 3,000 | 1,800 ... 2,450 | 19 | 129 | 350 mm | 1.7 kg | 51WC10MA32A |
| 2 x TC-F 24 W | 4,000 | 1,850 ... 2,550 | 19 | 134 | 350 mm | 1.7 kg | 51WC10MA42A |
| 2 x TC-F 36 W / 1 x T5-R 40 W | 3,000 | 3,600 ... 4,250 | 34 | 125 | 480 mm | 2.9 kg | 51WC10MB34A |
| 2 x TC-F 36 W / 1 x T5-R 40 W | 4,000 | 3,750 ... 4,400 | 34 | 129 | 480 mm | 2.9 kg | 51WC10MB44A |

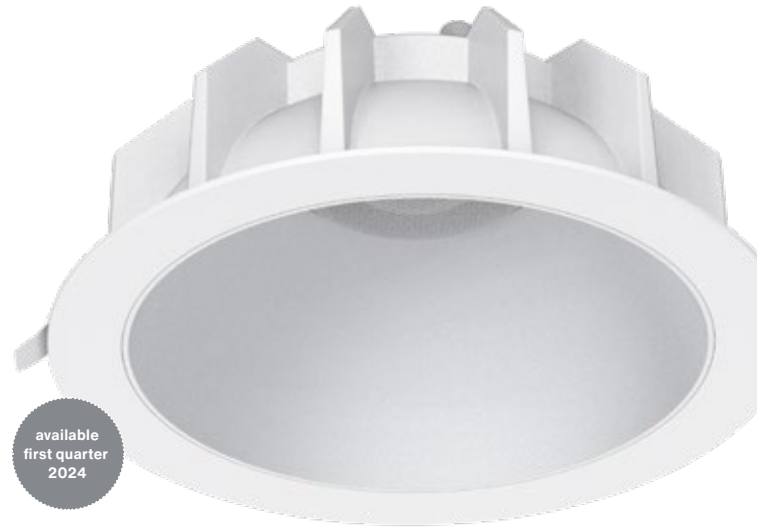
Lunis 21

Details and further variants:

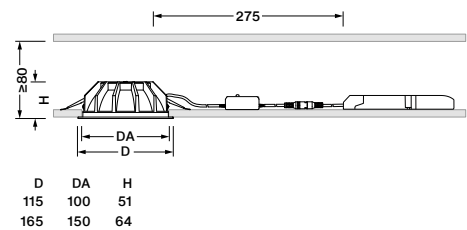
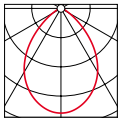


The downlight for all cases.

- ideal for replacing conventional downlights with ceiling cutouts between Ø 100 mm and Ø 200 mm
- suitable for a wide range of applications thanks to modular design and various sizes
- integrates perfectly into the room design due to darklight optic and clear design
- simple ceiling integration due to flat design of less than 60 mm
- quick and easy mounting



available
first quarter
2024



Technical data

| | | | |
|------------------------------|-------------------------|---------------------------|---------------------------------|
| Color temperature | 3,000 K ... 6,500 K | Light control | reflector |
| Luminous flux | 1,800 lm 2,500 lm | Control | ON / OFF Multilumen DALI 2 |
| Color rendering index | CRI ≥ 80 | Rated service life | 50,000 h (L80/B20) at 25 °C |
| Luminous efficacy | up to 160 lm/W | Housing | round, traffic white (RAL 9016) |
| Beam angle | wide distribution | | |

| Replacement for downlight with compact fluorescent lamps | K | lm | W | lm/W | Control | Ceiling cutout Ø | Weight | Order no. |
|--|-----------------------|-------|----|------|---------------------|------------------|--------|-------------|
| 2 × 18 W / 2 × 26 W with ceiling cutout from 100 to 150 mm | 3,000 4,000 6,500 | 1,800 | 11 | 160 | ON / OFF Multilumen | 100 mm | 0.8 kg | 51DB15MC91B |
| 2 × 18 W / 2 × 26 W with ceiling cutout from 100 to 150 mm | 3,000 4,000 6,500 | 1,800 | 11 | 160 | DALI 2 | 100 mm | 0.8 kg | 51DB15EC91B |
| 2 × 26 W / 1 × 32 W with ceiling cutout from 150 to 200 mm | 3,000 4,000 6,500 | 2,500 | 16 | 160 | ON / OFF Multilumen | 150 mm | 1.0 kg | 51DB15MD91B |
| 2 × 18 W / 2 × 26 W with ceiling cutout from 150 to 200 mm | 3,000 4,000 6,500 | 2,500 | 16 | 160 | DALI 2 | 150 mm | 1.0 kg | 51DB15ED91B |

Accessories

| | Weight | Order no. |
|--|--------|-----------|
| Lunis M, reducer ring Ø 100 / 150, white, set of 5 | 0.2 kg | 58DB100C |
| Lunis L, reducer ring Ø 150 / 200, white, set of 5 | 0.2 kg | 58DB100D |

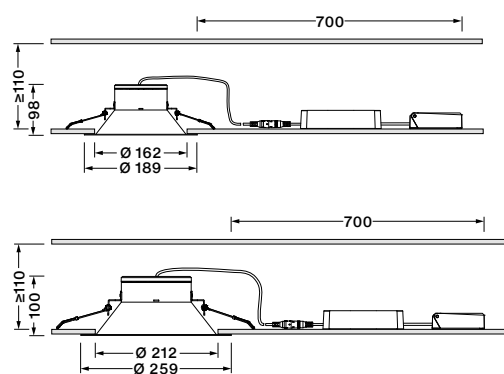
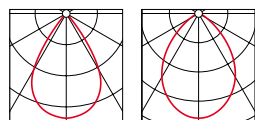
Details and further variants:



Lunis 31

The practical downlight for office and general lighting.

- very efficient and elegant downlight with powder-coated white reflector
- models with UGR ≤ 19 suitable for VDU workstations
- aluminum housing for optimal heat dissipation and long service life
- quick and easy mounting



Technical data

| | |
|------------------------------|---------------------|
| Color temperature | 4,000 K |
| Luminous flux | 1,040 lm 2,150 lm |
| Color rendering index | CRI ≥ 80 |
| Luminous efficacy | 125 lm/W |
| Beam angle | wide distribution |
| UGR | ≤ 19 ≤ 22* |

| | |
|---------------------------|---|
| Light control | lens, reflector lens, reflector and opal cover disc |
| Control | ON / OFF |
| Rated service life | 50,000 h (L80/B50) at 25 °C |
| Connection voltage | 220 ... 240 V AC |
| Housing | round, traffic white (RAL 9016) |

Replacement for downlight with compact fluorescent lamps

| | K | UGR | lm | W | lm/W | Control | Ceiling cutout Ø | Diameter | Weight | Order no. |
|--|-------|-------|-------|----|------|----------|------------------|----------|--------|------------|
| 1 × 18W / 1 × 26W with ceiling cutout 162 mm | 4,000 | ≤ 19 | 1,040 | 8 | 125 | ON / OFF | 162 mm | 189 mm | 0.3 kg | 51DN157E41 |
| 1 × 18W / 1 × 26W with ceiling cutout 162 mm | 4,000 | ≤ 22* | 1,040 | 8 | 125 | ON / OFF | 162 mm | 189 mm | 0.3 kg | 51DN167E41 |
| 2 × 18W / 2 × 26W with ceiling cutout 212 mm | 4,000 | ≤ 19 | 2,150 | 17 | 125 | ON / OFF | 212 mm | 259 mm | 0.5 kg | 51DN157G42 |
| 2 × 18W / 2 × 26W with ceiling cutout 212 mm | 4,000 | ≤ 22* | 2,150 | 17 | 125 | ON / OFF | 212 mm | 259 mm | 0.5 kg | 51DN167G42 |

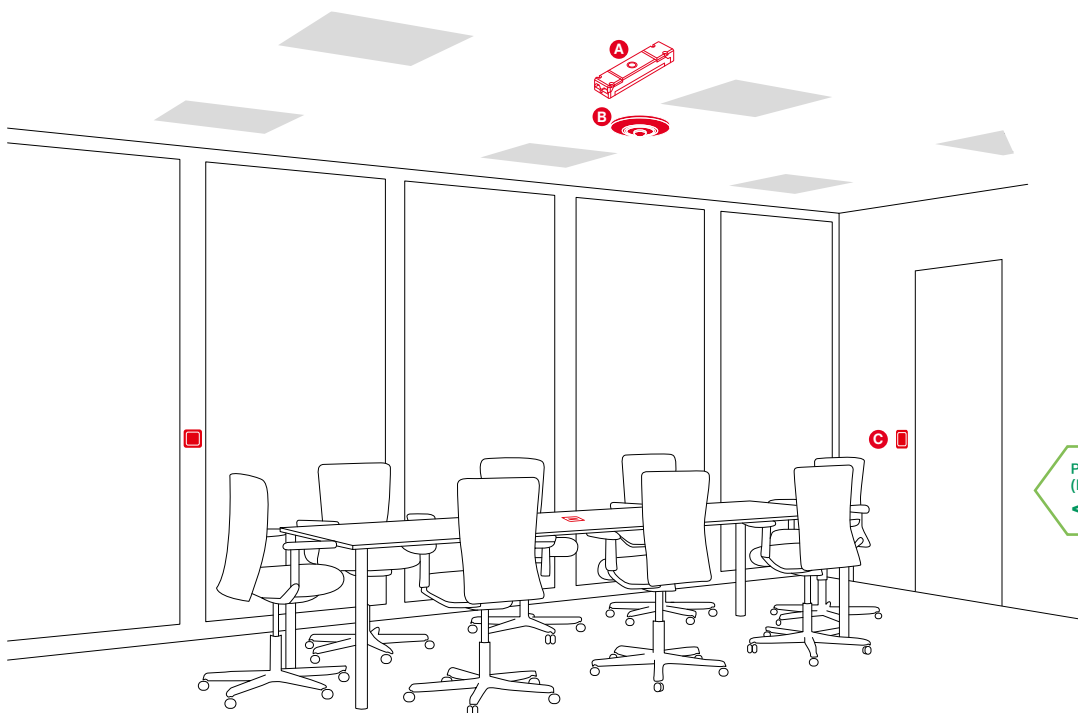
* with opal cover disc

Accessories

| | Weight | Order no. |
|--|--------|-----------|
| Reducer ring, traffic white (RAL 9016), Ø = 200 mm | 0.2 kg | 58DN1003 |
| Reducer ring, traffic white (RAL 9016), Ø = 275 mm | 0.4 kg | 58DN1004 |

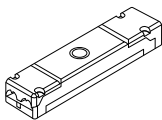
SITECO Connect 31 Office

Refurbishment example for a meeting room



Payback period
(luminaires + Connect 31 Office)
< two years

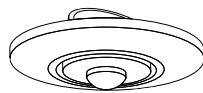
A Controller



Autonomous, local control system

- Full intelligence in the controller without master components
- Simple commissioning without programming knowledge
- Integrated DALI power supply

B Sensor

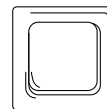


Control via motion and daylight

- Needs-based, intelligent light
- Energy savings up to 47 %*
- Accelerated amortization

* Savings depend on structural conditions and usage behavior

C Standard push button



Control ON / OFF / dimming

- Individual brightness adjustment
- User can intervene manually at all times

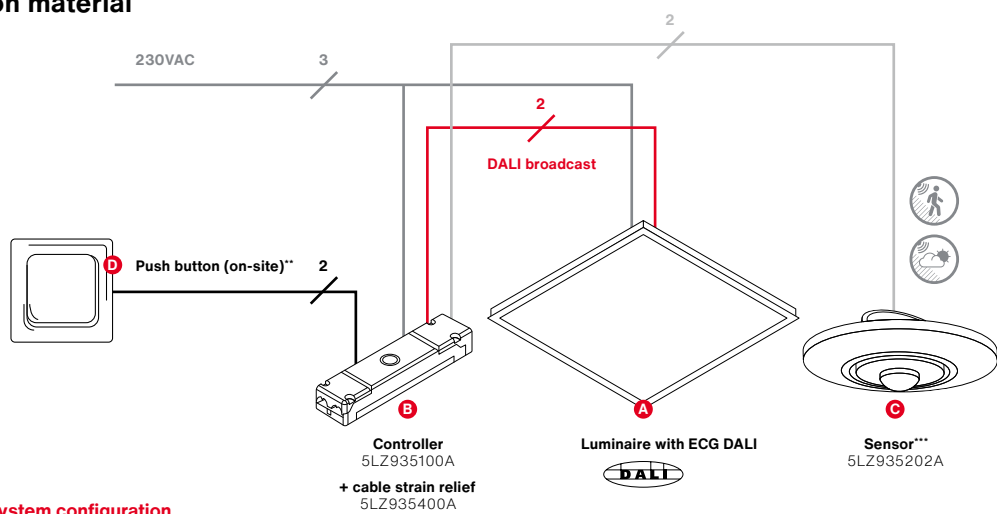
Individual components

| Individual components | Order no. |
|---------------------------|------------|
| SC 31 Office Controller | 5LZ935100A |
| SC 31 Office Sensor | 5LZ935202A |
| SC 31 Cable strain relief | 5LZ935400A |

Fast. Simple. Expandable.

Thanks to the perfectly matched components in professional quality, there are no problems with selection or compatibility. All products are easy to expand and can be put into operation in no time.

Easy mounting with standard installation material



Number of components in system configuration

| | | | | |
|-------------------------------------|------|------|------|---|
| Controller (B) | | 1 | | |
| Sensor*** (C) | | 0 | 1 | 2 |
| Luminaire with ECG DALI* (A) | ≤ 30 | ≤ 30 | ≤ 30 | |
| Push button** (on-site) (D) | ≤ 3 | ≤ 3 | ≤ 3 | |

Sensor range

| Mounting height | Radial | Tangential | Presence |
|-----------------|----------------|----------------|----------------|
| h = 2.5 m | Diameter 2.0 m | Diameter 5.0 m | Diameter 2.0 m |
| h = 3.0 m | Diameter 2.4 m | Diameter 6.0 m | Diameter 2.4 m |
| h = 3.5 m | Diameter 2.8 m | Diameter 7.0 m | Diameter 2.8 m |

- * Power + DALI: maximum total cable length 300 m (when laid with standard cable – e.g., NYM-J 5G 1.5 mm²)
- ** On-site push button: maximum total cable length 50 m (when laid with, e.g., NYM-J 5G 1.5 mm²)
- *** Sensor: maximum cable length 300 m

The above illustration is only an example of a circuit diagram for a light management system. For specific applications, individual planning (in particular for cable and circuit dimensioning, types of cables, fire barriers, routing, etc.) by qualified personnel is essential. Siteco GmbH assumes no liability for the correctness of the above representation.

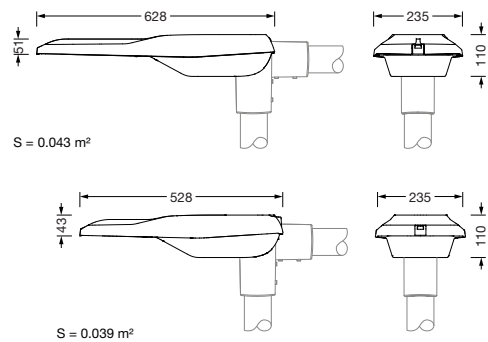
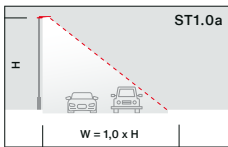
Streetlight SL 21

Details and further variants:



Optimal lighting. Minimal investment.

- exceptional light technology with a long service life of up to 100,000 hours
- thanks to precise lighting technology based on UV-resistant PMMA lenses as well as a broad portfolio of different light colors and distributions
- through luminous efficacy of up to 147 lm/W for low operating costs and quick payback times



Technical data

| | | | |
|------------------------------|---|---------------------------|---|
| Color temperature | 3,000 K 4,000 K | Control | Easy |
| Luminous flux | 2,290 lm ... 10,712 lm | Temperature range | -40 ... +50 °C |
| Color rendering index | CRI ≥ 70 | Rated service life | 100,000h (L97/B10) at 25 °C |
| Luminous efficacy | up to 147 lm/W | Mounting | side-entry |
| Beam angle | direct asymmetric wide distribution, ST1.0a | Spigot size | 60 mm |
| Light control | lenses | Connection voltage | 220 ... 240V AC, terminal block |
| Cover | toughened safety glass, clear | Housing | die-cast aluminum, SITECO metallic gray (DB 702S) |

| Replacement for road luminaire | K | lm | W-start | W-end | W-red | lm/W | Size | Weight | Order no. |
|-----------------------------------|-------|--------|---------|-------|-------|------|-------|--------|--------------------|
| 50 W High-pressure sodium | 3,000 | 2,290 | 16 | 16 | 9 | 145 | micro | 4.8 kg | 5XE5D33A08CB000002 |
| 50 W High-pressure sodium | 4,000 | 2,290 | 16 | 16 | 9 | 145 | micro | 4.8 kg | 5XE5D43A08CB000001 |
| 70 W High-pressure sodium | 3,000 | 4,343 | 32 | 33 | 15 | 131 | micro | 4.6 kg | 5XE5D33A08DB000005 |
| 70 W High-pressure sodium | 4,000 | 4,522 | 32 | 33 | 15 | 131 | micro | 4.6 kg | 5XE5D43A08DB000002 |
| 100 W High-pressure sodium | 3,000 | 7,684 | 54 | 56 | 25 | 137 | mini | 4.4 kg | 5XE6D33A08HB000001 |
| 100 W High-pressure sodium | 4,000 | 7,544 | 50 | 52 | 24 | 137 | mini | 4.4 kg | 5XE6D43A08HB000001 |
| 150 W High-pressure sodium | 3,000 | 10,264 | 67 | 69 | 32 | 147 | mini | 6.0 kg | 5XE6D33A08JB000001 |
| 150 W High-pressure sodium | 4,000 | 10,712 | 67 | 69 | 32 | 147 | mini | 6.0 kg | 5XE6D43A08JB000001 |

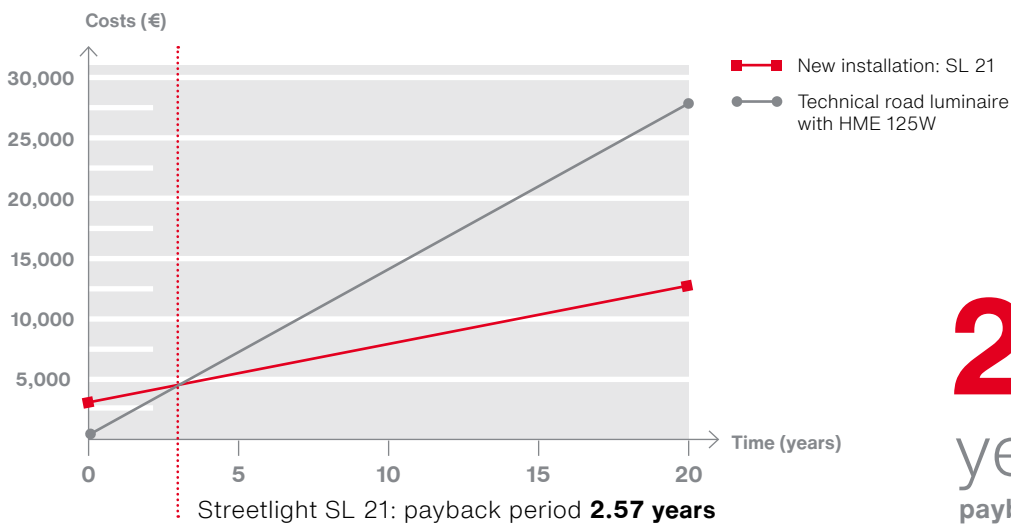
It has never been more worthwhile.

Numbers say more than a thousand words. Our example calculation of an approach road shows you how much can be saved.

Upgrade now. Benefit immediately.

| | Old system | New system with SITECO LED |
|--|------------------------------------|----------------------------|
| Luminaire type | Technical road luminaire HME 125 W | Streetlight SL 21 |
| No. of luminaires | 10 | 10 |
| Energy consumption per year (kWh) | 2,100 | 1,050 |
| Operating costs per year (€) | 1,356 | 557 |
| Energy | 1,113 | 557 |
| Maintenance | 243 | 0 |
| Payback period (years) | | 2.57 |

Savings of **-56 % CO₂**
-50 % savings on operating costs

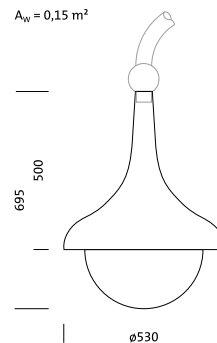
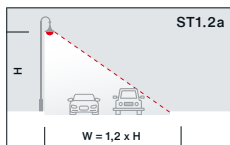


2.6
 years
 payback period

Bell

Classic design with a future.

- solution for energy-efficient, sustainable refurbishment of technically obsolete lighting systems, also available as complete luminaire
- reduced maintenance effort and costs due to high system service life
- preassembled LED gear tray and new diffuser for a quick and easy exchange
- Smart City Ready, offering modern lighting control and wireless connectivity



Technical data

| | | | |
|------------------------------|---|---------------------------|---|
| Color temperature | 3,000 K 4,000 K | Cover | PMMA, clear or frosted |
| Luminous flux | 2,740 lm ... 3,380 lm | Control | PLUS |
| Color rendering index | CRI ≥ 70 | Connection voltage | 220 ... 240 V AC |
| Luminous efficacy | up to 144 lm/W | Housing | Polyester, glass fiber reinforced, SITECO metallic gray (DB 702S) |
| Beam angle | direct asymmetric wide distribution, ST1.2a | | |

Replacement for road luminaire

| | K | lm | W-start | W-end | W-red | lm/W | Cover | Diameter | Height | Weight | Order no. |
|---|-------|-------|---------|-------|-------|------|---------|----------|--------|--------|---------------|
| 50, 70 and 100 W HPS & Metal halide (E27 or E40) | 3,000 | 3,150 | 23 | 23 | 12 | 135 | clear | 530 mm | 695 mm | 7.8 kg | 5XA1563E1B108 |
| 50, 70 and 100 W HPS & Metal halide (E27 or E40) | 3,000 | 3,210 | 23 | 23 | 12 | 137 | frosted | 530 mm | 695 mm | 7.8 kg | 5XA1563E1B208 |
| 50, 70 and 100 W HPS & Metal halide (E27 or E40) | 4,000 | 3,320 | 23 | 24 | 12 | 142 | clear | 530 mm | 695 mm | 7.8 kg | 5XA1563K1B108 |
| 50, 70 and 100 W HPS & Metal halide (E27 or E40) | 4,000 | 3,380 | 23 | 24 | 12 | 144 | frosted | 530 mm | 695 mm | 7.8 kg | 5XA1563K1B208 |

LED refurbishment module with optical cover

| | | | | | | | | | |
|--|-------|-------|----|----|----|-----|---------|--------|-------------|
| 50, 70 and 100 W HPS & Metal hallide (E27 or E40) | 3,000 | 2,740 | 24 | 24 | 11 | 117 | clear | 2.9 kg | 5XA1563E1B1 |
| 50, 70 and 100 W HPS & Metal hallide (E27 or E40) | 3,000 | 2,800 | 24 | 24 | 11 | 119 | frosted | 2.9 kg | 5XA1563E1B2 |
| 50, 70 and 100 W HPS & Metal hallide (E27 or E40) | 4,000 | 3,320 | 23 | 24 | 12 | 142 | clear | 2.9 kg | 5XA1563K1B1 |
| 50, 70 and 100 W HPS & Metal hallide (E27 or E40) | 4,000 | 3,380 | 23 | 24 | 12 | 144 | frosted | 2.9 kg | 5XA1563K1B2 |

LED refurbishment module without optical cover

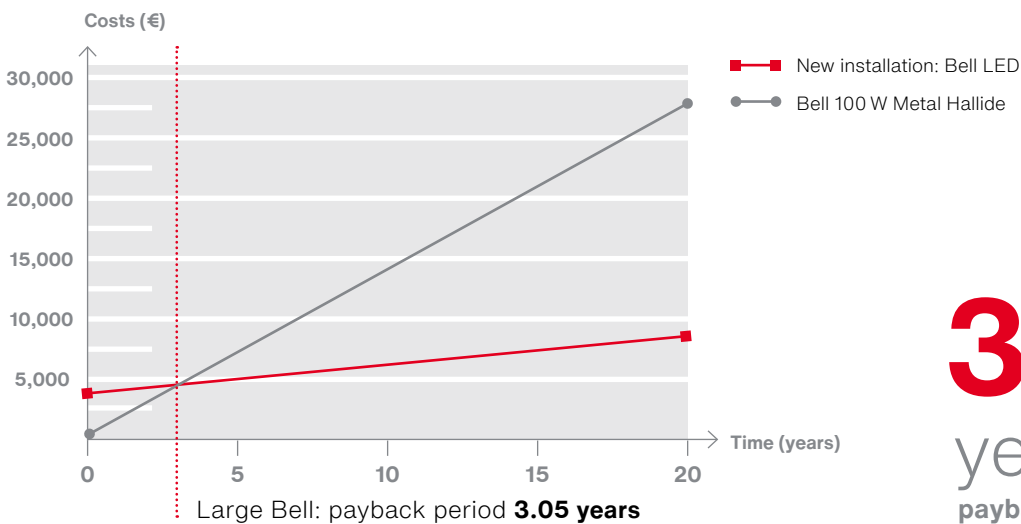
| | | |
|--|-------|------------|
| 50, 70 and 100 W HPS & Metal hallide (E27 or E40) | 3,000 | 5XA1563E1B |
| 50, 70 and 100 W HPS & Metal hallide (E27 or E40) | 4,000 | 5XA1563K1B |

The Bell refurbishment insert is also available with higher lumen packages up to 5,000lm upon request.

| | Old system | New system with SITECO LED |
|--|--------------------------|----------------------------|
| Luminaire type | Bell 100 W Metal Hallide | Bell LED, 23 W |
| No. of luminaires | 10 | 10 |
| Energy consumption per year (kWh) | 2,100 | 483 |
| Operating costs per year (€) | 1,356 | 256 |
| Energy | 1,113 | 256 |
| Maintenance | 243 | 0 |
| Payback period (years) | | 3.05 |

Savings of **-78% CO₂**

-67% savings on operating costs



3.1
years
payback period

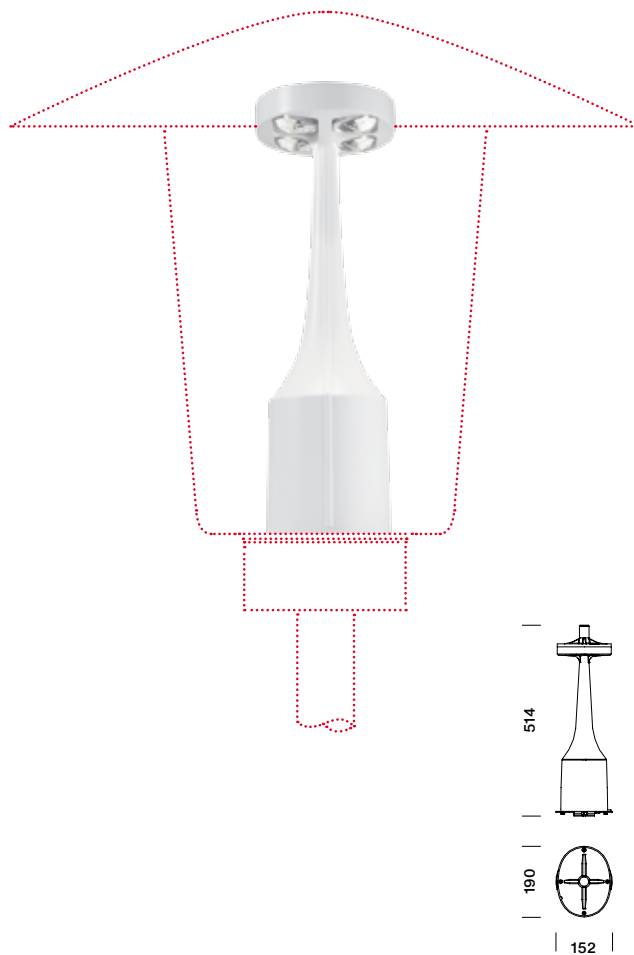
Details and further variants:



Module 540 iQ

Modular into the future of city lighting.

- allows refurbishment of heritage luminaires and historical luminaires as well as surface-mounted and suspended luminaires with a vertical design
- low energy consumption with high luminous efficacy
- patented luminous flux tracking system CLO 2.0 ensures even more efficacy
- high visual comfort and innovative LED technology with unique visual guidance
- easy replacement due to simple mounting and electrical connection at the mast without special tools



Technical data

| | | | |
|------------------------------|--|---------------------------|--|
| Color temperature | 3,000K 4,000K | Control | iQ Street-Remote |
| Luminous flux | 1,610lm 3,110 lm | Rated service life | 100,000h at 25 °C |
| Color rendering index | CRI ≥ 70 | Type of protection | protection rating is determined by the luminaire housing |
| Luminous efficacy | up to 168 lm/W | Connection voltage | 220 ... 240V AC |
| Beam angle | wide distribution, symmetry / asymmetry depending on model | Housing | gear tray, traffic white (RAL 9016) |

| Replacement for | Beam angle | K | lm | W ^{start} | W ^{end} | W ^{red} | lm/W | Weight | Order no. |
|---|-------------------------------|-------|-------|--------------------|------------------|------------------|------|--------|--------------|
| Post-top luminaire with vertical design (HME, HSE, HIE, TC-L) | wide distribution, asymmetric | 3,000 | 1,610 | 11 | 11 | 5 | 153 | 2.7 kg | 5XA5405EF04F |
| | wide distribution, symmetric | 3,000 | 3,110 | 19 | 21 | 10 | 161 | 2.7 kg | 5XA5405JF04F |
| Heritage luminaire and historical luminaire (HME, HSE, HIE) | wide distribution, asymmetric | 4,000 | 1,610 | 10 | 10 | 5 | 161 | 2.7 kg | 5XA5405KF04F |
| | wide distribution, symmetric | 4,000 | 3,110 | 19 | 19 | 9 | 168 | 2.7 kg | 5XA5405RF04F |

Pre-parameterized module order with pre-assembled cable possible on request.

| Accessories | Weight | Order no. |
|--|--------|-------------|
| Spreader element, packaging unit: set of 2 | 0.2 kg | 5XA54000XS |
| Shielding on building side, H = 150 mm | 0.1 kg | 5XA54000XBS |
| Shielding on building side, H = 200 mm | 0.1 kg | 5XA54000XBL |
| Shielding on building side, H = 430 mm | 0.5 kg | 5XA54000XBL |

SiCompact 31

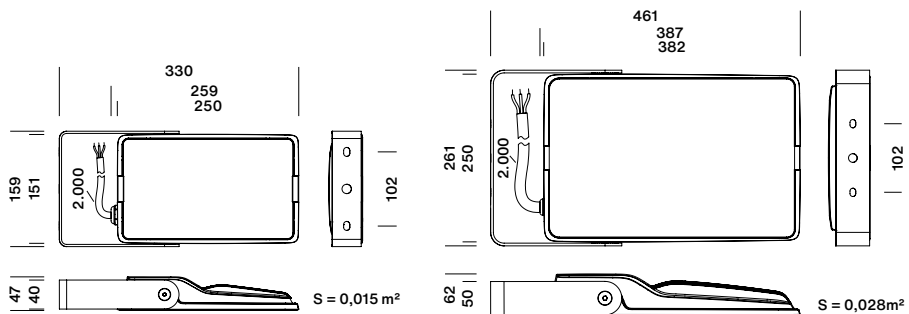
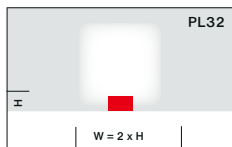
micro / mini

Details and further variants:



Industrial design meets state-of-the-art technology.

- simple, quick installation thanks to mounting bracket and pre-assembled 2-meter connection cable
- efficient operation with up to 170 lm/W and asymmetric narrow beam distribution
- high flexibility for all requirements
- robust housing and ESD-safe LED module, dustproof and high vibration stability tested with 250,000 strikes



Technical data

| | | | |
|------------------------------|-------------------------------|---------------------------|---|
| Color temperature | 4,000 K | Rated service life | 100,000 h (L80/B50) at 25 °C |
| Luminous flux | 4,400 lm 8,000 lm | Mounting | on walls on ceilings on supporting structures on cross-arms |
| Color rendering index | CRI ≥ 70 | Connection voltage | 220 ... 240 V AC |
| Luminous efficacy | up to 170 lm/W | | pre-assembled connection cable |
| Beam angle | asymmetric distribution | Housing | die-cast aluminum, metallic gray (RAL 9006) |
| Light control | lenses | Accessories | plug / socket system connection, single / double cross-arms |
| Cover | toughened safety glass, clear | | |
| Control | ON / OFF | | |
| Temperature range | -40 ... +45 °C | | |

Replacement for floodlight with metal halide lamps

| | Beam angle | K | lm | W | lm/W | Control | Size | Weight | Order no. |
|---------------------|-------------------------------|-------|-------|----|------|----------|-------|--------|--------------|
| 70 W HIT-CE | asymmetric distribution, PL32 | 4,000 | 4,400 | 29 | 152 | ON / OFF | micro | 2.3 kg | 5XA7561A2K23 |
| 150 W HIT-CE | asymmetric distribution, PL32 | 4,000 | 8,000 | 47 | 170 | ON / OFF | mini | 5.8 kg | 5XA7571B2K23 |

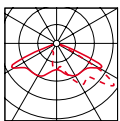
Accessories

| | Weight | Order no. |
|---|--------|-----------|
| Connectivity: plug / socket, IP65, 3-pole, max. 2.5 mm ² | 0.1 kg | 5NX30003 |

SiStellar maxi refurbishment insert

Don't dispose. Refurbish.

- simple refurbishment of existing luminaires with maximum preservation of materials – 90 % of the old luminaire is retained
- long life of up to 100,000 h thanks to optimized thermal management
- also available in the particularly insect-friendly 3,000 Kelvin light color
- highly economical solution with rapid payback
- high visual comfort thanks to narrow beam and uniform illumination with 0 % light pollution



Technical data

| | |
|------------------------------|--|
| Color temperature | 3,000 K |
| Luminous flux | 70,630 lm |
| Color rendering index | CRI ≥ 80 |
| Luminous efficacy | 113 lm/W |
| Beam angle | PL43 |
| Cover | cover panel of toughened safety glass, clear |

| | |
|---------------------------|-------------------------|
| Control | ON / OFF |
| Temperature range | -30 ... +40 °C outdoors |
| Rated service life | up to 100,000 h |
| Connection voltage | 220 ... 240 V AC |
| Housing | die-cast aluminum |

Replacement for conventional gear trays for SiStellar maxi

| | K | lm | W | lm/W | Control | Order no. |
|---|-------|--------|-----|------|----------|--------------------|
| for refurbishing existing luminaires | 3,000 | 70,630 | 624 | 113 | ON / OFF | 5XA768000ZS00185XX |

Together we carry the light
of sustainability, flexibility
and quality of life into the

Future.

Our complete portfolio: **siteco.com**

Contact.

SITECO Head Office Sweden

Källbäckstrydsgatan 3
507 42 Borås
contact-se@siteco.com
Tel: +46 8 128 704 22

siteco.com

SITECO Sales Office Stockholm

Karlsbodavägen 9 – 11, Plan 3
168 67 Bromma