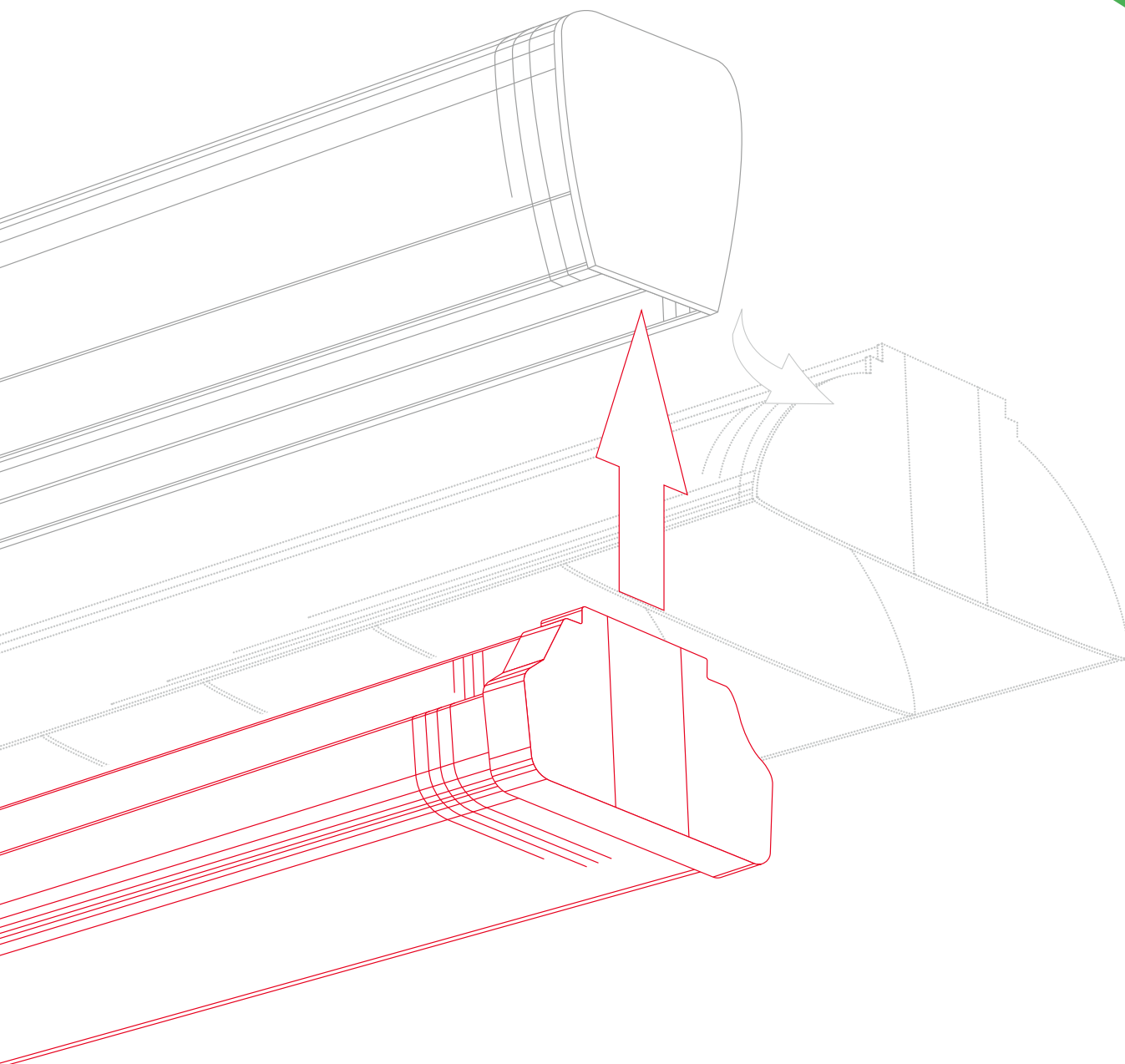


siteco

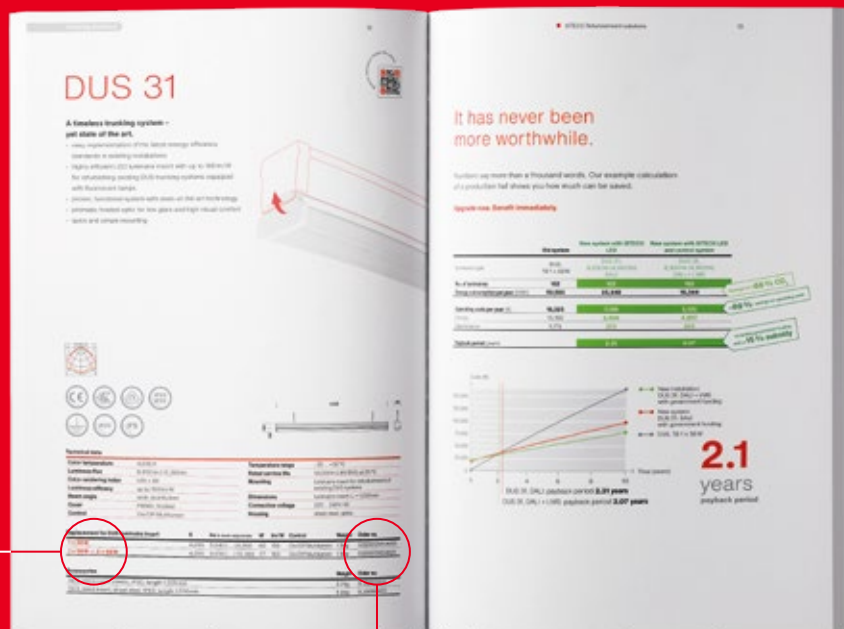
! Upgrade now.
• Benefit immediately.

up to
Save 80%
with modern lighting
technology



Refurbishment solutions.

Quick replacement. Maximum savings.



Replacement for DUS luminaire

1 x 58W

1 x 58W or 2 x 58W

Accessories

left:
Your existing luminaire.

Order no.

53BD812M1V4085

53BD812M1V4120

Order no.

right:
The suitable replacement.

Refurbishment solutions

Solutions for indoor lighting

Industry

- 12** Trunking systems
- 18** Highbay luminaires
- 20** Damp-proof luminaires

Office

- 24** Recessed luminaires
- 28** Surface-mounted luminaires
- 30** Downlights
- 32** Light management systems

Solutions for outdoor lighting

- 34** Road luminaires
- 38** Area lighting

Refurbish your lighting.

And save up to 80% with modern lighting technology.

Register now for a no-obligation check of your lighting.



In typical cases, **80% in energy and maintenance costs** can be saved. And even if you are already using LED: if your system is older than four to five years you can **save up to 40%** thanks to state-of-the-art technology.

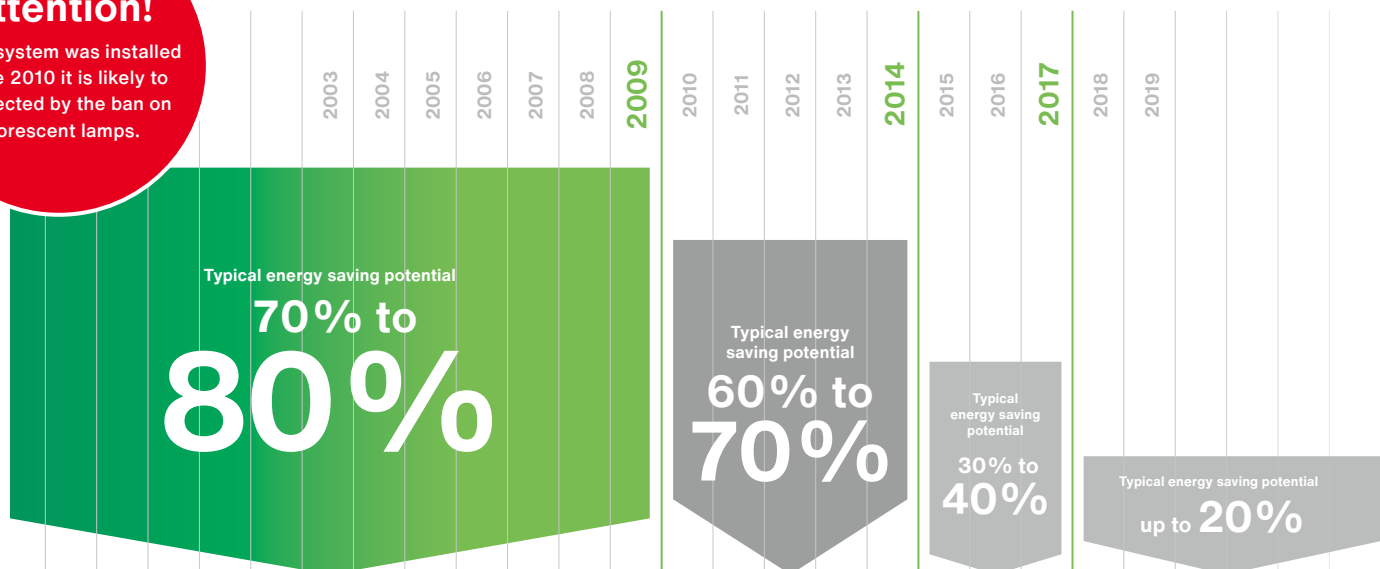
You set the path: install a completely new and digital system or reuse as much of the existing infrastructure as possible. In both cases, we check and calculate your savings potential without any obligation for you.

When shall we start?

Attention!

If your system was installed before 2010 it is likely to be affected by the ban on fluorescent lamps.

Year of installation of your lighting system:



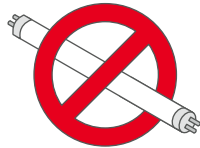
Fluorescent lamps will be banned in 2023!

February 25, 2023

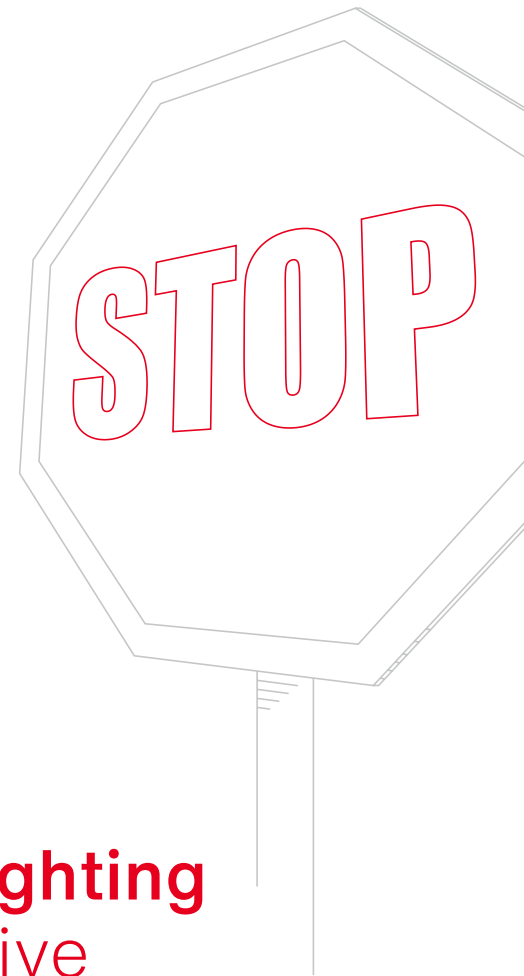


- **Compact fluorescent lamps** (without integrated ECG)
- **T5 circular fluorescent lamps**

August 25, 2023



- **T5 linear fluorescent lamps**
- **T8 linear fluorescent lamps**



According to EU Directive 2011/65/EU on the restriction of the use of certain hazardous substances in electrical and electronic equipment (RoHS), Annex III, the placing on the market of these lamps is prohibited in the EU after this date.

The government supports lighting refurbishments with attractive subsidies in many countries.

SITECO solutions ideally meet the eligibility requirements. Your local SITECO contact person will work with you to calculate subsidies and assist with the application.



Government funding for efficient buildings (example)

Minimum technical requirements for the funding program for efficient buildings

SITECO lighting solutions

System luminous efficacy with LED continuous row luminaires at least 140lm/W, otherwise 120lm/W	✓ up to 180lm/W
Luminous flux maintenance of LED luminaires > L80/50,000h	✓ up to L90/up to 100,000h

General conditions:

- Optimization, refurbishment or new installation of lighting systems in existing buildings
- Investment volume at least €2,000, maximum €15 mill.

Eligible expenses:

- Complete luminaire replacement: new lighting system including installation and dismantling costs of old system
- Control and regulation technology, e.g. our intelligent SITECO Connect light management system
- Required ancillary work and components, e.g. lighting design

Light is teamwork.

How much work can we take off your hands?

Would you like to learn more about our solution elements?



Would you rather focus on your core business?

No problem: SITECO supports owners, contractors and specifiers when it comes to lighting refurbishments.

What can we do for you?

+ Light audit

Our experts review your existing lighting installation and specify the individual requirements for your new system on site.

- Savings in operating costs and CO₂
- Investment and payback

A single appointment – many insights.

Where is the greatest potential?

Where is a specific need for action?

We review the status quo of your existing installation on site. On this basis, we then develop possible scenarios for your new lighting – custom-tailored to your specific needs and requirements.



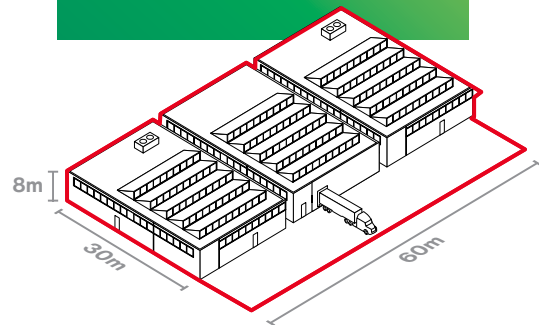
Full transparency.

54t
CO₂
saved each year

How much cost can be saved? And how much CO₂?

Our experts inspect the lighting system and transparently show you how the system can be made state of the art.

You'll also learn how quick the payback is: refurbishment projects often pay for themselves in less than two years. This has been our experience from numerous cases.



Because it pays off.

Calculation example for a new lighting system

	old installation	new installation	
Luminaire type	4 × 58W, ECG	Licross, 9,000lm	
Number of luminaires	153	162	
Energy consumption per year in kWh	138,753	37,066	-73%
Reduction in energy consumption per year in kWh		-101,687	
CO₂ emission per year in t	59.2	15.8	-74%
Reduction in CO₂ emission per year in t		-43.4	
Operating costs per year in €	42,624	10,771	-75%
Savings per year in €		-31,853	
Costs for lighting and installation in €	Payback:	60,129	
Investment minus 15% efficient buildings subsidy in €	1.5 years	51,110	
Investment as monthly installment over 5 years in €	from day 1	1,202	

Calculation based on energy price of 0.26 €/kWh.

+ Planning

We develop a lighting concept or customized solution tailored precisely to your needs – enabling you to benefit from outstanding and sustainable lighting and control technology.

- Lighting design
- Lighting concept and electrical concept
- Customizing solution

Lighting concept and electrical concept

The solution in concrete terms.

Our experts show you what is already possible today. Not in theory, but directly at your location. We transform your ideas into technical solutions for you, along with the functional and design requirements. To achieve this we work hand in hand with architects, lighting designers, electrical planners and installation companies. To enable you to make the best decision, we bring the planning process to life by using state-of-the-art visualization.



Customization

Refurbishing existing systems requires custom solutions.

When all catalog options are exhausted, our customization process begins. Developing individual customer solutions is our daily bread and butter. Our refurbishment kits can be adapted to any situation, be it suspended drywall ceilings, metal panel ceilings or system ceilings.

Refurbishments can be carried out with minimal effort: In most cases, existing housings and cables can be used, eliminating the need for complex drywall and cabling work. Thus, the installation can be carried out during running operation.

Everything is possible. Simply contact us.

1

Modification of standard luminaires

- ✓ Customization of housing dimensions, colors and mounting accessories – for optimal integration into existing ceiling systems
- ✓ Changing the light color and color rendering

2

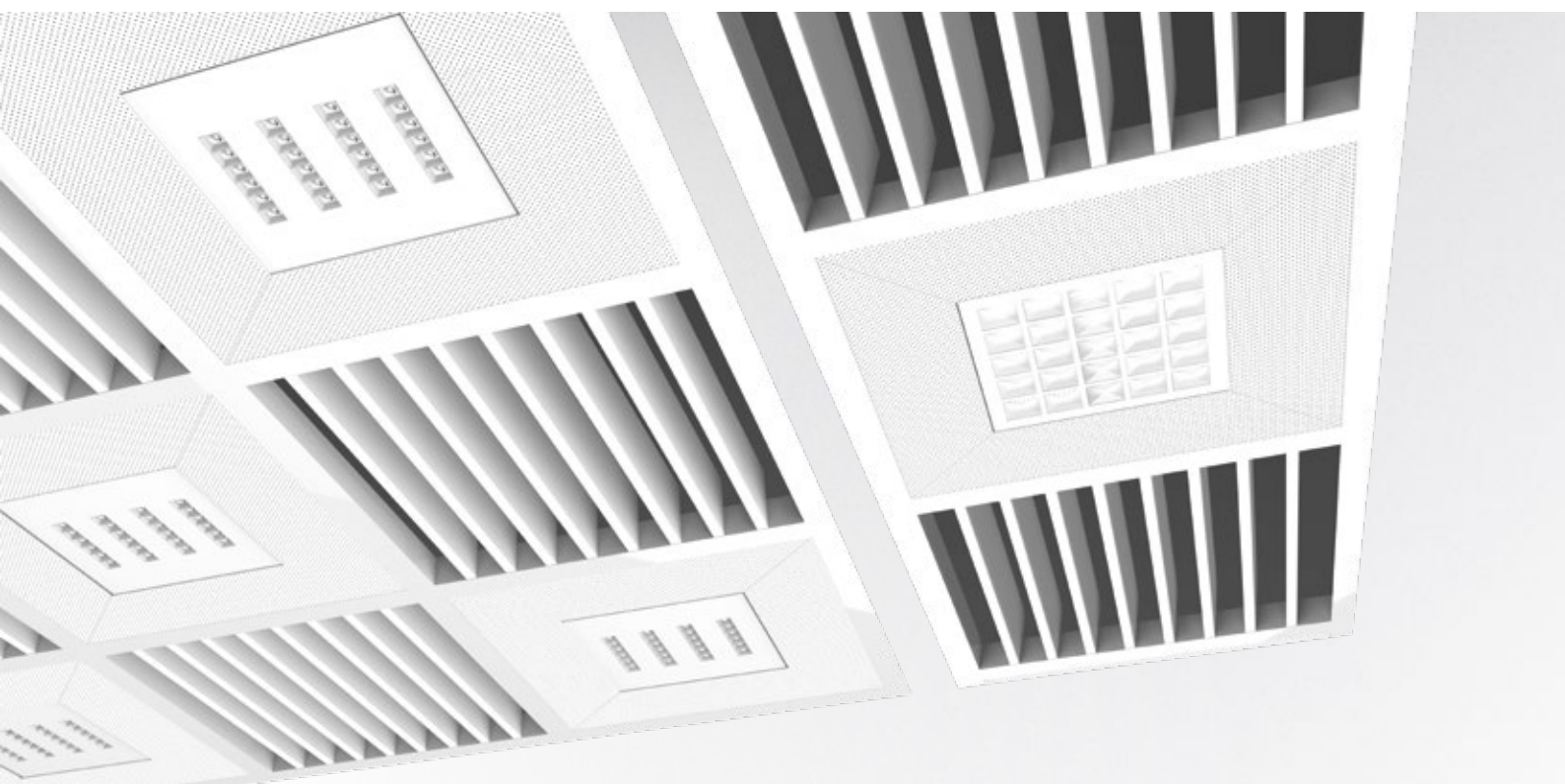
Modular kit systems

- ✓ Versatile, combinable systems for your project solution
- ✓ Modular SITECO optic platforms as the basis for your custom luminaire

3

Development of special luminaires

- ✓ Concept development and project management
- ✓ Construction planning and special luminaire construction with an experienced development team



+ Financing and funding

Our individual financing solutions let you save from day one. The terms are flexible and depend entirely on your needs. We also prepare the efficiency certificate verifying at least 50 % CO₂ savings for the funding application.

- Funding advice
- Financing

We advise on **funding money.**

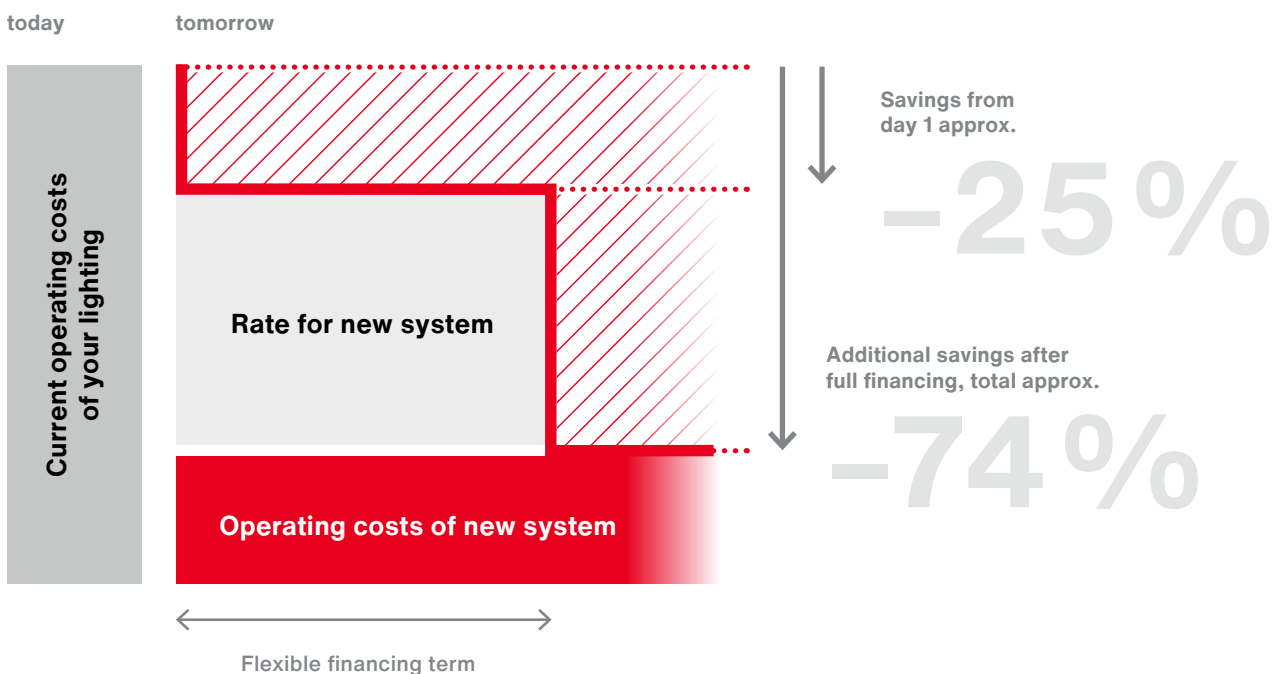
Investing in climate-friendly lighting, you can receive subsidies for efficient indoor and outdoor lighting. How does it work? SITECO knows. We help you select the optimal funding. We work with you to calculate subsidies and financing. And we also assist with the application. Please contact your local SITECO contact person for further details.

We take care of it – you save.



Thanks to financing, very little own resources are required.

We would like to show you how this works. Because it can be done – simply by spreading the investment for the new lighting over several years. It then often carries itself, because more operating costs are saved from day one than are incurred in monthly installments. We will gladly do the calculations for you and your project.



At SITECO, we match the financing exactly to your needs. This means that you save money from day one. Simply contact us for a quote that precisely fits your requirements!

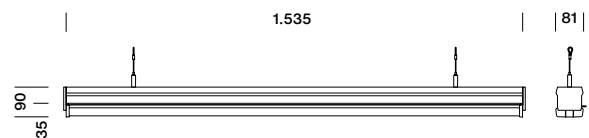
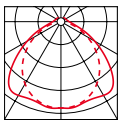
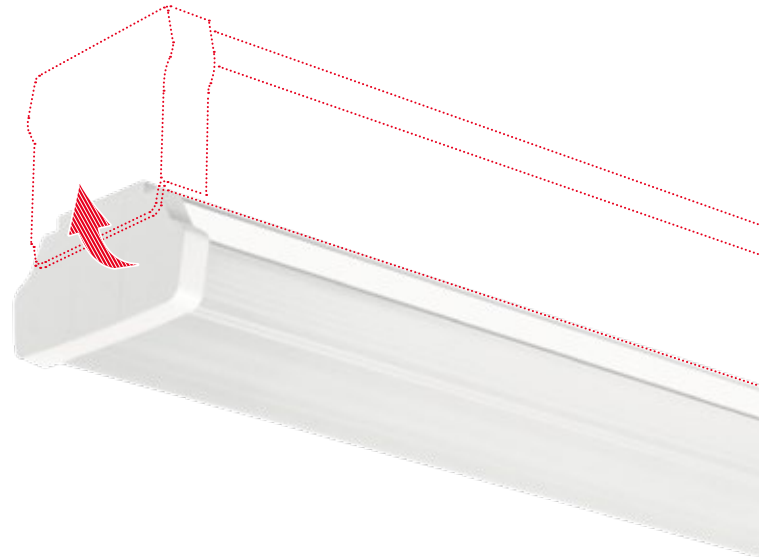
- ⊕ Which funding programs are eligible in which countries?
- ⊕ Calculation of the financing effect
- ⊕ Support with the application



DUS 31

Updating the classic among trunking systems with state-of-the-art technology.

- easy implementation of the latest energy efficiency standards in existing installations
- highly efficient LED luminaire insert with up to 166 lm/W for refurbishing existing DUS trunking systems equipped with fluorescent lamps
- proven, functional system with state-of-the-art technology
- prismatic frosted optic for low glare and high visual comfort
- quick and simple mounting



Technical data

Color temperature	4,000 K	Temperature range	-35 ... +30 °C
Luminous flux	8,950 lm 12,380 lm	Rated service life	50,000 h (L85/B50) at 25 °C
Color rendering index	CRI > 80	Mounting	luminaire insert for refurbishment of existing DUS systems
Luminous efficacy	up to 160 lm/W	Dimensions	luminaire insert: L = 1,535 mm
Beam angle	wide distribution	Connection voltage	220 ... 240 V AC
Cover	PMMA, frosted	Housing	sheet steel, white
Control	On/Off Multilumen		

Replacement for DUS luminaire insert	K	lm 8-level adjustable	W	lm/W	Control	Weight	Order no.
1 × 58 W	4,000	5,040 ... 8,950	60	150	On/Off Multilumen	1.8 kg	53BD812M1V4085
1 × 58 W or 2 × 58 W	4,000	5,050 ... 12,380	77	160	On/Off Multilumen	1.9 kg	53BD812M1V4120

Accessories

	Weight	Order no.
DUS, blind cover, plastic, IP20, length 1,535 mm	0.2 kg	5LJ90830ED
DUS, blind insert, sheet steel, IP60, length 1,535 mm	0.8 kg	5LS90800ED

It has never been more worthwhile.

Numbers say more than a thousand words. Our example calculation of a production hall shows you how much can be saved.

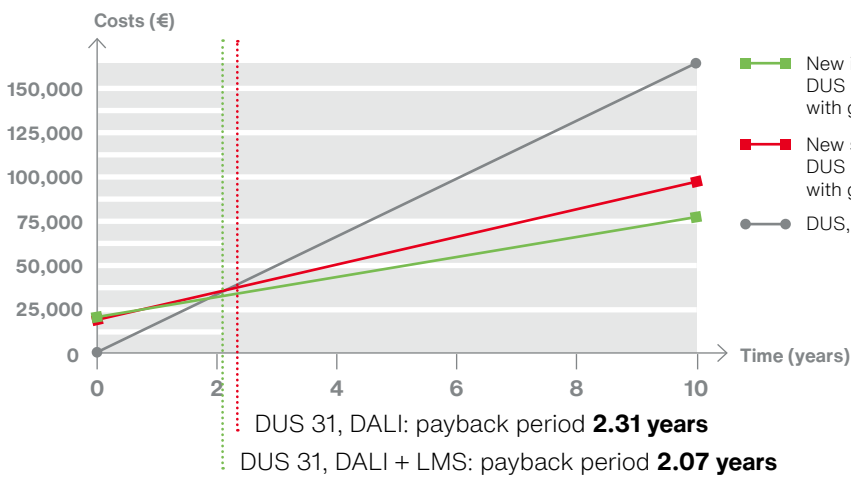
Upgrade now. Benefit immediately.

	Old system	New system with SITECO LED	New system with SITECO LED and control system
Luminaire type	DUS, T8 1 x 58W	DUS 31, 8,930lm (4,900lm) DALI	DUS 31, 8,930lm (4,900lm) DALI + LMS
No. of luminaires	162	162	162
Energy consumption per year (kWh)	50,563	23,348	16,344
Operating costs per year (€)	16,325	7,199	5,100
Energy	15,150	6,996	4,897
Maintenance	1,175	203	203
Payback period (years)		2.31	2.07

Savings of **-68% CO₂**

-69% savings on operating costs

Including government funding with a **15% subsidy**



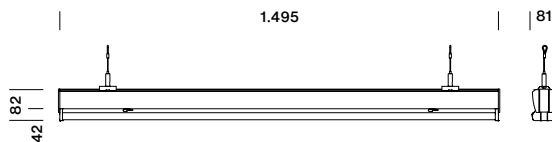
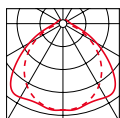
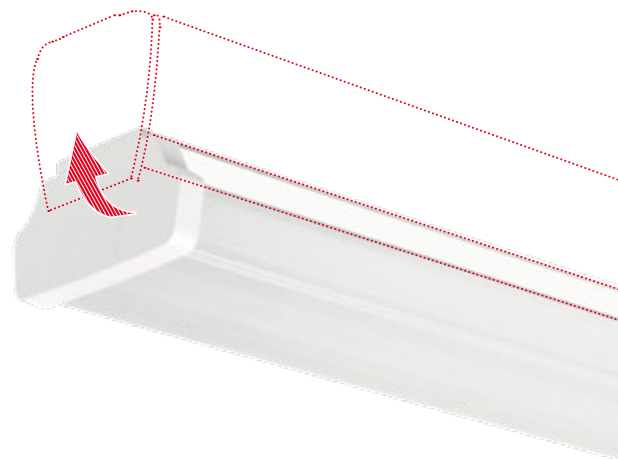
2.1
years
payback period



Modario 31

The perfect trunking solution for performance and efficiency.

- easy implementation of the latest energy efficiency standards in existing installations
- highly efficient LED inserts with up to 166lm/W – also suitable for refurbishing conventional luminaire inserts in existing Modario systems to use full energy-saving potential
- proven, functional system with state-of-the-art technology
- prismatic frosted optic for low glare and high visual comfort
- quick and simple mounting



Technical data

Color temperature	4,000 K	Control	DALI 2 On/Off Multilumen
Luminous flux	8,930lm ... 12,380lm	Temperature range	-25 ... +30 °C -35 ... +35 °C
Color rendering index	CRI > 80	Rated service life	50,000h (L85/B50) at 25 °C
Luminous efficacy	up to 160 lm/W	Dimensions	luminaire insert: L = 1,495 mm
Beam angle	wide distribution	Connection voltage	220 ... 240 V AC
Cover	PMMA, frosted	Housing	sheet steel, white

Replacement for Modario luminaire insert

	K	lm 8-level adjustable	W	lm/W	Control	Temp. range	Weight	Order no.
2 x 35W, 2 x 49W or 1 x 80W	4,000	5,040 ... 8,950	60	150	On/Off Multilumen	-35 ... +30 °C	1.9kg	53BM812M1V4085
2 x 49W	4,000	8,930	62	144	DALI 2	-25 ... +30 °C	1.9kg	53BM812D2V4085
2 x 35W, 2 x 49W, 1 x 80W or 2 x 80W	4,000	5,050 ... 12,380	77	160	On/Off Multilumen	-35 ... +35 °C	1.9kg	53BM812M1V4120
2 x 80W	4,000	12,350	80	155	DALI 2	-25 ... +30 °C	2.0kg	53BM812D2V4120

Accessories

	Weight	Order no.
End cap, PC, white, 10-pole infeed, set of 2	0.1kg	5TR90161
Blind insert, steel, white, IP20, length 1,495 mm	0.5 kg	5TR30000Q
Blind cover, PC/ABS, signal white (RAL 9003), IP20, length 1,495 mm	0.2 kg	5TR30200Q2

Modario 31 sensor technology

Function	Product	Family	Order no.
Master function (DALI)	Sensor interfaces MD	Modario	5TR305FCMA
		external	59US1FCMA
	Sensor heads M	Sensor PR1-M, storerooms, corridors	59US1HXMPR1A
		Sensor PR2-M, shelf warehousing and highbay racking	59US1HXMPR2A
		Sensor PC1-M, dispatch areas 2 ... 4 m	59US1HXMP1A
Slave function (DALI)	Sensor interfaces S	Modario	5TR305FCSA
		external	59US1FCSA
	Sensor heads S	Sensor PR1-S, storeroom, corridor	59US1HXSPR1A
		Sensor PR2-S, shelf warehousing and highbay racking	59US1HXSPR2A
		Sensor PC1-S, dispatch areas 2 ... 4 m	59US1HXSP1A
Start-up	Sensor-Head PC5-S, dispatch areas 5 ... 14 m		59US1HXSP5A
		Smart Remote	59UC3RCA

It has never been more worthwhile.

Numbers say more than a thousand words. Our example calculation of a production hall shows you how much can be saved.

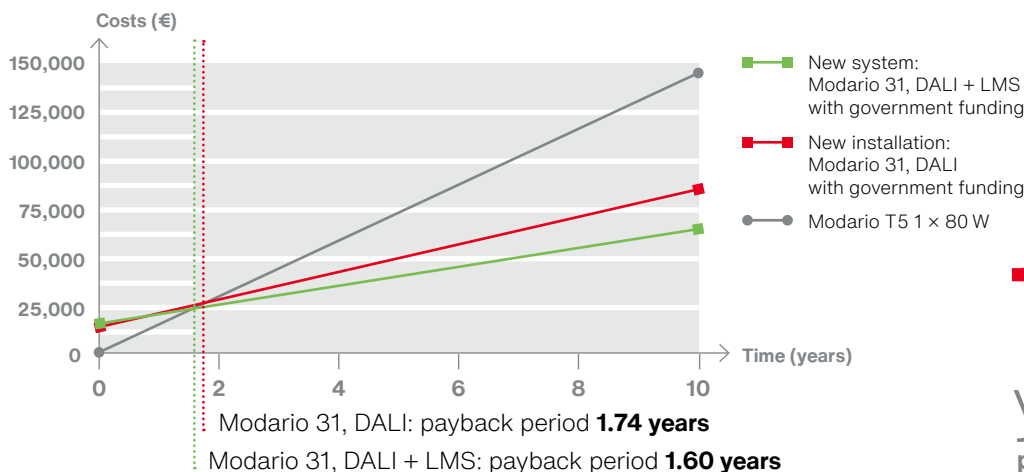
Upgrade now. Benefit immediately.

	Old system	New system with SITECO LED	New system with SITECO LED and control system
Luminaire type	T5 1 × 80W	Modario 31, 8,930lm (6,690lm) DALI	Modario 31, 8,930lm (6,690lm) DALI + LMS
No. of luminaires	115	110	110
Energy consumption per year (kWh)	48,034	22,165	15,516
Operating costs per year (€)	14,812	6,779	4,787
Energy	14,392	6,641	4,649
Maintenance	420	138	138
Payback period (years)		1.74	1.60

Savings of **-68% CO₂**

-68% savings on operating costs

Including government funding with a **15% subsidy**



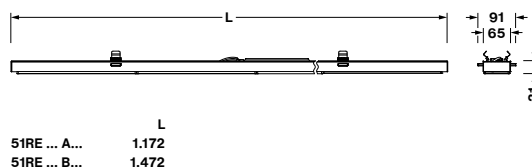
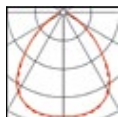
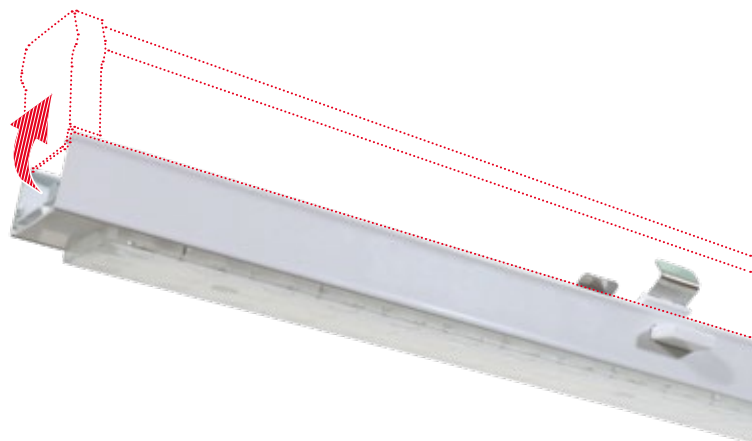
1.6
years
payback period



Refurbishment luminaire insert 31

The universal insert for trunking refurbishment.

- enables refurbishment of different trunking systems through individual plug connectors and end caps for length compensation of the luminaire inserts
- easy implementation of the latest energy efficiency standards in existing installations
- simple replacement due to tool-free mounting
- highly efficient LED inserts with up to 160lm/W
- long service life, maintenance-free



Technical data

Color temperature	4,000 K	Control	On/Off Multilumen
Luminous flux	6,400lm 8,000lm	Temperature range	-20 ... +40 °C
Color rendering index	CRI > 80	Rated service life	50,000h (L85/B50) at 25 °C
Luminous efficacy	160lm/W	Dimensions	L = 1,172 mm 1,472 mm
Beam angle	wide distribution	Connection voltage	220 ... 240 V AC
Cover	PMMA	Housing	extruded aluminum profile, traffic white (RAL 9016)

Replacement for luminaire insert

	K	lm 4-level adjustable	W	lm/W	Control	Length	Weight	Order no.
1 x 36W or 2 x 36W	4,000	3,300 ... 6,400	40	160	On/Off Multilumen	1,172mm	1.2kg	51RE12MA46B
1 x 58W or 2 x 58W	4,000	4,130 ... 8,000	50	160	On/Off Multilumen	1,472 mm	1.4 kg	51RE12MB48B

Accessories for refurbishment of DUS trunking systems*

	Weight	Order no.
Plug connector, plastic, white, 3-pole	0.1 kg	59RP004
End caps (set of 2), plastic, white, length compensation total + 63mm, length of insert + end caps: 1,235/1,535 mm	0.1 kg	59RC1K
DUS spring for fixing insert in the DUS rail, set of 2	0.1 kg	59RLOCD

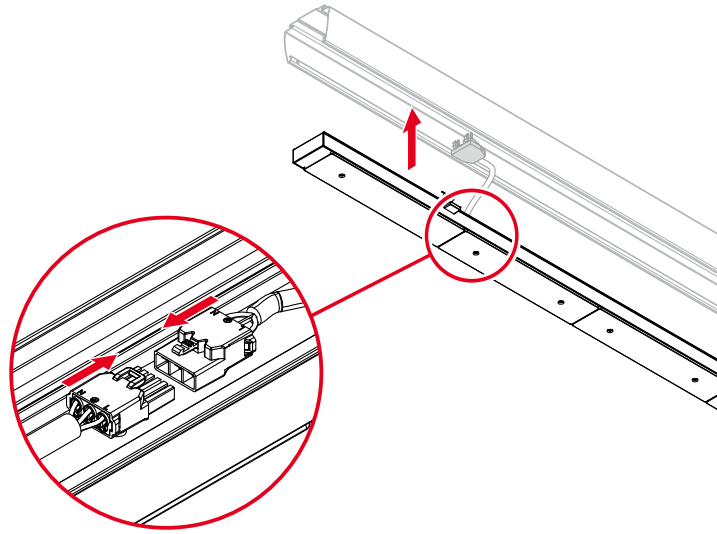
* Accessories for other trunking systems on request.

The universal luminaire insert can be adapted to existing trunkings with corresponding accessories.

1

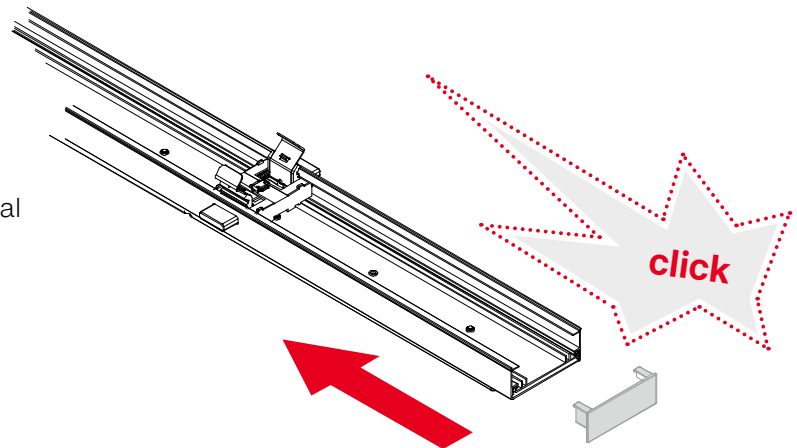
Plug connectors for trunking rail connection

Thanks to individual plug connectors including supply cable, the refurbishment luminaire insert 31 can be installed in various trunking systems.

**2**

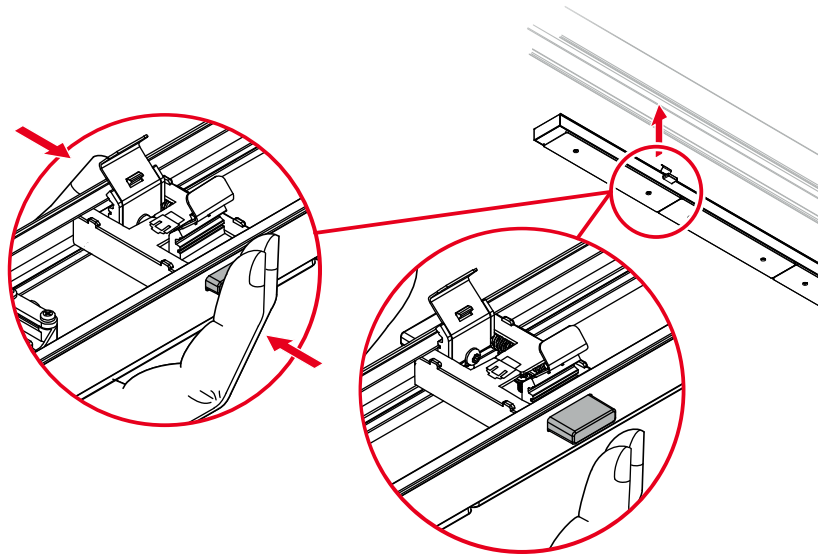
Specific end caps

The length is adjusted via individual end caps mounted joint-to-joint.

**3**

Spring mechanism

The spring mechanism of the refurbishment luminaire insert 31 is compatible with a wide variety of trunking rails and enables simple and tool-free installation of the insert.

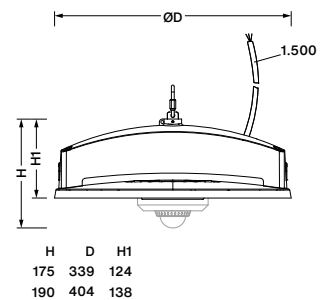
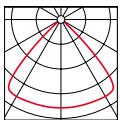
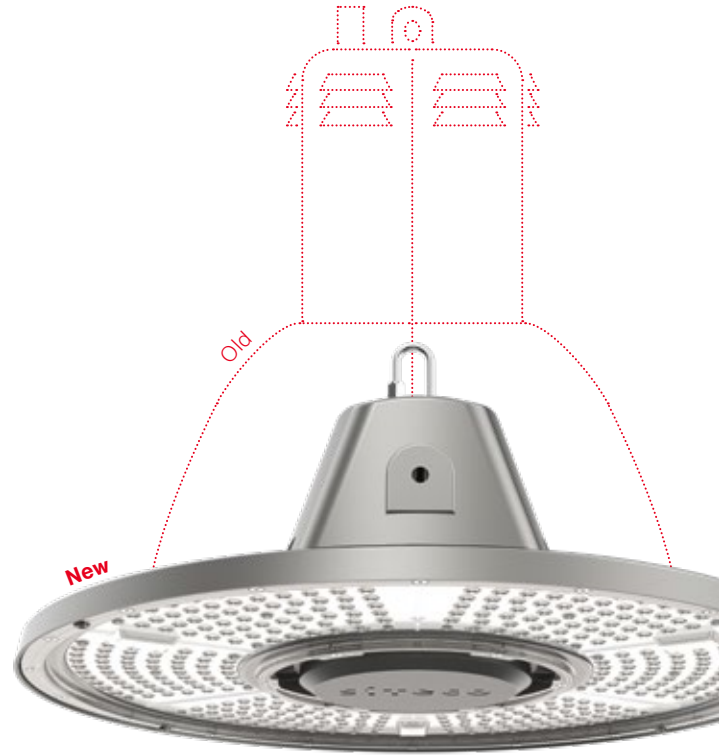




Highbay 31

The all-rounder: reliable, efficient and with smart control options.

- long service life and use at increased ambient temperatures up to 45 °C due to excellent thermal management of driver and LEDs
- fast refurbishment thanks to simple one-point mounting
- energy-efficient lighting of 150 lm/W with up to 55 % energy and CO₂ savings
- efficient light control and good visual comfort
- suitable for demanding ambient conditions and the food industry due to lens optics made of robust, UV-stabilized PC



Technical data

Color temperature	4,000 K	Control	On/Off
Luminous flux	14,000lm ... 28,000lm	Temperature range	-30 ... +45 °C
Color rendering index	CRI > 80	Rated service life	50,000h (L85/B50) at 25 °C
Luminous efficacy	150lm/W	Connection voltage	220 ... 240 V AC
Beam angle	90°	Housing	die-cast aluminum, gray aluminum (RAL 9007)
Cover	PC		

Replacement for highbay luminaire	K	lm	W	lm/W	Control	Total diam.	Total height	Weight	Order no.
250W HIE / 400W HME	4,000	14,000	94	150	On/Off	339mm	141mm	3.3kg	51HC427A4FMA
400W HIE / 250W HSE	4,000	28,000	187	150	On/Off	406mm	160mm	4.1kg	51HC427A4MMA

Accessories*

	Weight	Order no.
Link chain, steel, galvanized, inner link size 5.6 × 31mm, per running meter	0.1kg	5LY9001

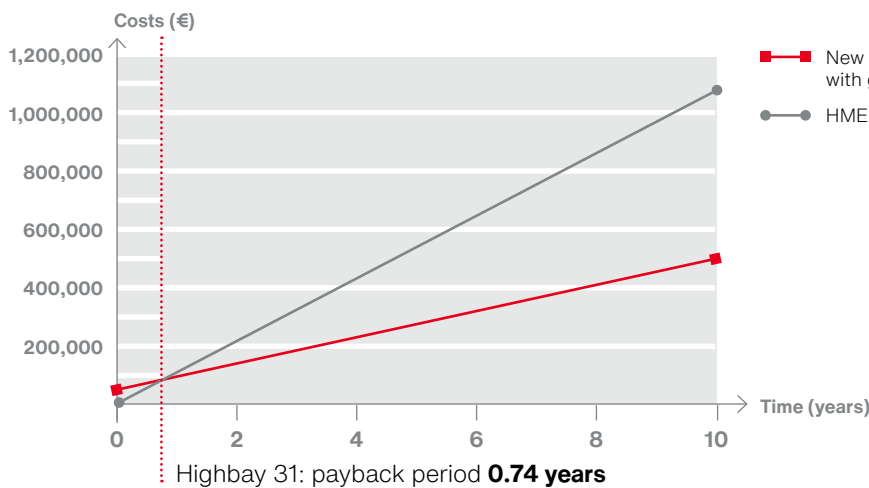
* Further accessories on request.

It has never been more worthwhile.

Numbers say more than a thousand words. Our example calculation of a production hall shows you how much can be saved.

Upgrade now. Benefit immediately.

	Old system	New system with SITECO LED	
Luminaire type	HME 400W	Highbay 31, 28,000 lm	
No. of luminaires	170	170	
Energy consumption per year (kWh)	344,893	145,916	Savings of -58% CO₂
Operating costs per year (€)	106,825	43,975	-59% savings on operating costs
Energy	103,337	43,720	
Maintenance	3,488	255	
Payback period (years)		0.74	Including government funding with a 15% subsidy

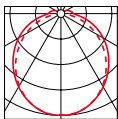
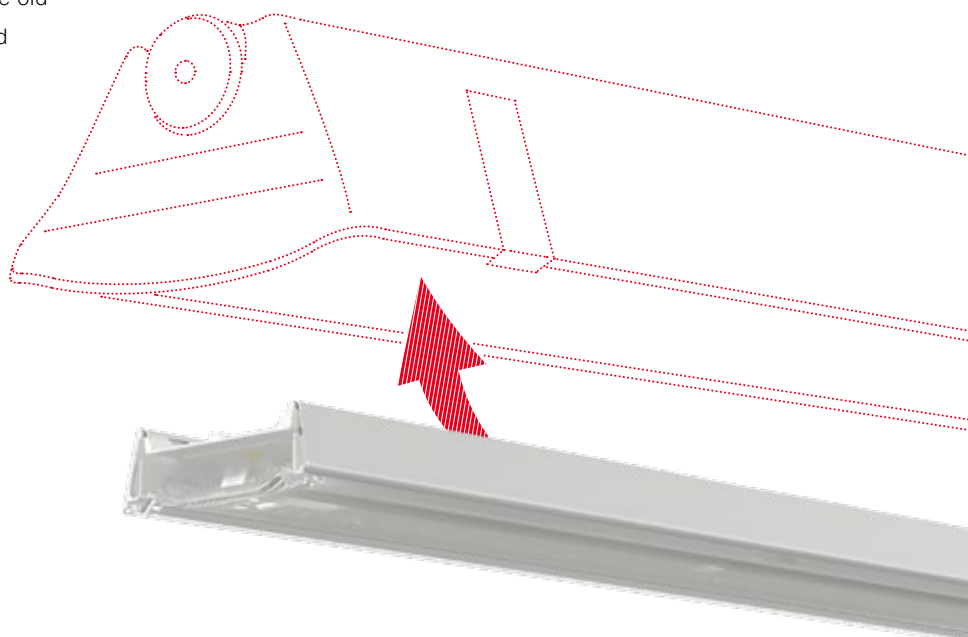


0.7
 years
 payback period

Refurbishment insert for FR 200 and FR 500

The damp-proof specialist in a new light.

- enables refurbishment of conventional damp-proof luminaires by one-to-one replacement of the old gear tray with new LED insert and optimized luminous flux
- high efficacy
- quick and simple mounting



Technical data

Color temperature	4,000 K	Control	On/Off Multilumen
Luminous flux	8,000lm*	Rated service life	50,000h (L80/B50) at 25 °C
Color rendering index	CRI > 80	Connection voltage	220 ... 240 V AC
Luminous efficacy	173lm/W	Housing	sheet steel, galvanized
Beam angle	wide distribution*	Mounting	luminaire insert for refurbishment of FR 200 / FR 500

Replacement for conventional FR 200 / FR 500 gear tray

	K	lm _{preset}	W	lm/W	Control	Length	Weight	Order no.
1 × 58 W	4,000	3,500*	47	173*	On/Off Multilumen	1,500 mm	1.9 kg*	on request
2 × 58 W	4,000	7,000*	47	173*	On/Off Multilumen	1,500 mm	1.9 kg*	

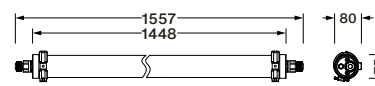
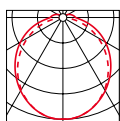
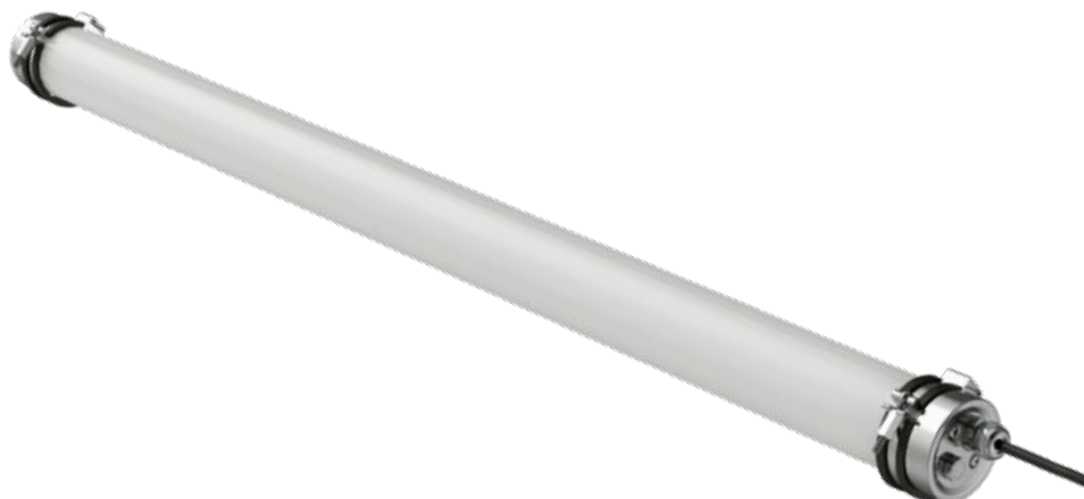
* only without old luminaires



Monsun 31 Tube

Built for the toughest conditions.

- robust, gas-tight luminaire with IP69K protection rating
- resistant to harmful gases such as sulfur and ammonia
- designed to resist high pressure jet cleaning with hot water
- suitable for e.g. tire stores, animal stalls and car washes



Technical data

Color temperature	4,000 K	Temperature range	-20 ... +40 °C
Luminous flux	6,500lm ... 10,000lm	Rated service life	50,000h (L80/B50) at 25 °C
Color rendering index	CRI > 80	Connection voltage	220 ... 240 V AC
Luminous efficacy	162lm/W	Housing	PMMA, partially transparent
Beam angle	wide distribution	Mounting	surface-mounting and suspended mounting, also available as insert for trunking rail (Licross/Modario)
Control	On/Off		

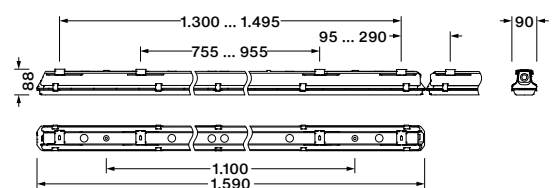
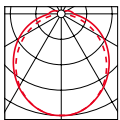
Replacement for damp-proof luminaire	K	lm	W	lm/W	Control	Length	Weight	Order no.
1 x 58W	4,000	6,500	40	162	On/Off	1,500mm	1.8kg	51FT107N460A
2 x 58W	4,000	8,000	49	162	On/Off	1,500mm	1.8kg	51FT107N480A
2 x 58W	4,000	10,000	62	162	On/Off	1,500mm	1.8kg	51FT107N4A0A



Monsoon 21

The damp-proof luminaire with a bright future.

- reliable, robust and with upgradeable intelligence
- equipped for harsh environments and use in exposed outdoor areas thanks to IP66 protection rating
- control is flexibly adaptable with upgradeable sensor technology
- for use in industry and parking garages
- optimum glare control for industrial and manual work



Technical data

Color temperature	4,000 K	Rated service life	50,000h (L80/B50) at 35 °C
Luminous flux	3,340lm ... 6,000lm	Connection voltage	220 ... 240 V AC
Color rendering index	CRI > 80	Housing	polyester, glass fiber reinforced, light gray
Luminous efficacy	up to 167 lm/W	Mounting	<ul style="list-style-type: none"> • ceiling surface-mounting (luminaire includes fixing accessories) • with accessories: suspended mounting surface-mounting horizontal or vertical wall mounting installation on Licross trunking rail
Beam angle	diffuse distribution		
Cover	PMMA PC		
Control	On/Off		
Temperature range	-25 ... +35 °C		

Replacement for damp-proof luminaire

	K	lm	W	lm/W	Control	Impact resistance	Length	Weight	Order no.
1 x 58W with PMMA diffuser	4,000	3,710	22	167	On/Off	IK04	1,590mm	2.5 kg	51FB107P430J
2 x 58W with PMMA diffuser	4,000	6,000	38	158	On/Off	IK04	1,590mm	2.5 kg	51FB107P460B
1 x 58W with PC diffuser	4,000	3,340	22	150	On/Off	IK08	1,590mm	2.5 kg	51FB207P430J
2 x 58W with PC diffuser	4,000	5,400	38	142	On/Off	IK08	1,590mm	2.5 kg	51FB207P460B

It has never been more worthwhile.

Numbers say more than a thousand words. Our example calculation of a technical room shows how much can be saved.

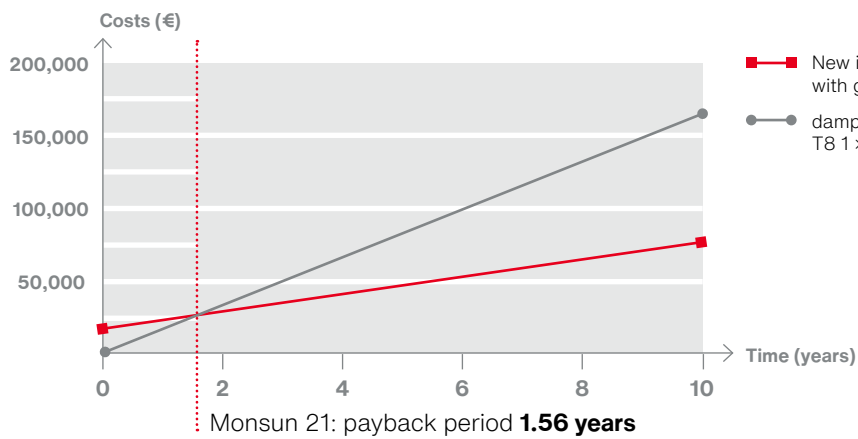
Upgrade now. Benefit immediately.

	Old system	New system with SITECO LED
Luminaire type	T8 1 × 58W	Monsun 21, 3,710lm
No. of luminaires	156	156
Energy consumption per year (kWh)	48,691	15,753
Operating costs per year (€)	15,720	4,915
Energy	14,589	4,720
Maintenance	1,131	195
Payback period (years)		1.56

Savings of **-68% CO₂**

-69% savings on operating costs

Including government funding with a **15% subsidy**



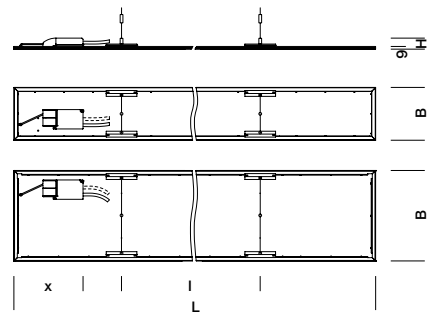
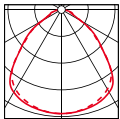
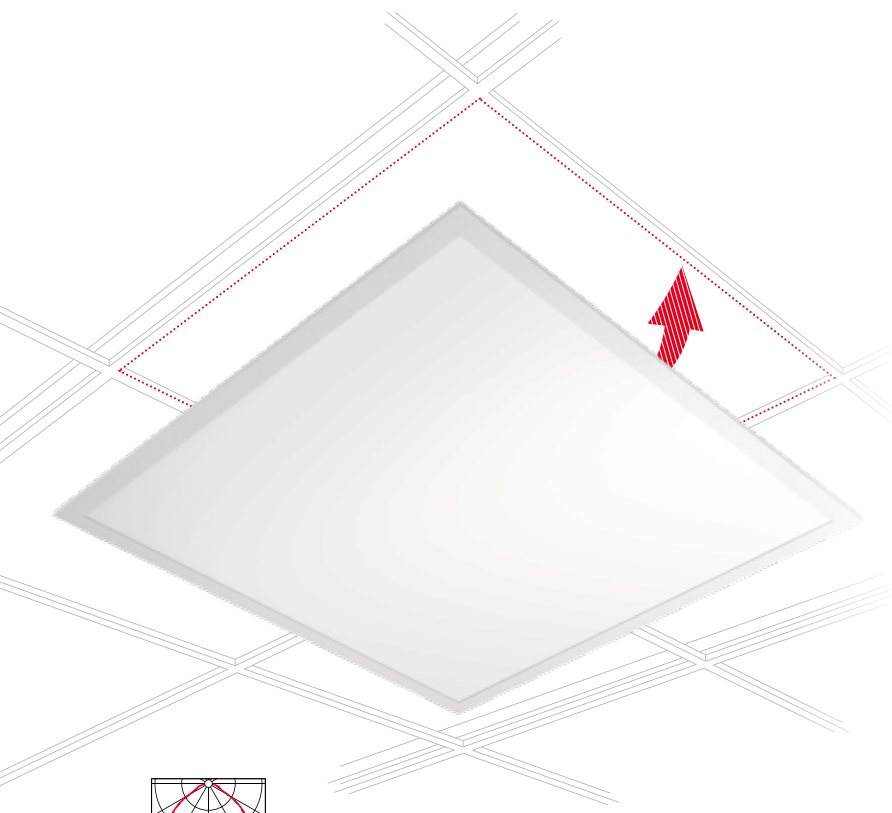
1.6
years
payback period



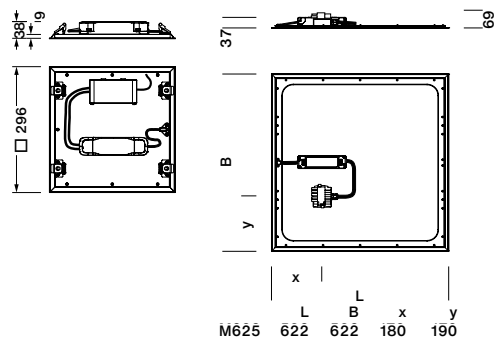
Apollon 21

Flexible, efficient and attractive in offices and public buildings.

- versatile luminaire family in different geometries and mounting variants for the complete office building
- excellent quality of light, high efficacy and various control options
- ideal lighting solution for offices, foyers, meeting rooms and general building areas



L	B	H	I	x
1.195	295	39	600	250
1.245	181	39	600	250
1.245	310	39	600	250
1.545	181	39	880	250
1.545	310	48	880	570



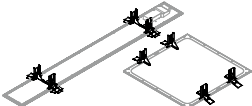
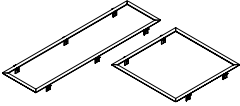
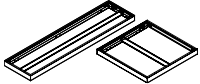
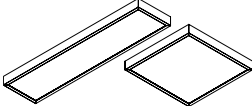
Technical data

Color temperature	4,000 K
Luminous flux	2,400lm ... 7,200lm
Color rendering index	CRI > 80
Luminous efficacy	up to 127lm/W
Beam angle	wide distribution
Cover	PC
UGR	≤ 19 ≤ 22
Control	On/Off On/Off Multilumen
Temperature range	-20 ... +40 °C

Rated service life	50,000h (L80/B50) at 25 °C
Connection voltage	220 ... 240V AC
Housing	coated aluminum, traffic white (RAL 9016)
Mounting	Lay-in mounting in system ceilings without further luminaire-specific accessories With accessories: • installation in ceiling cutouts • ceiling surface-mounting • suspended mounting

Replacement for square recessed luminaire Module 600	K	UGR	lm	W	lm/W	Control	Length	Width	Weight	Order no.
with T5 lamps: 3 × 24 W or 4 × 14 W	4,000	≤ 19	4,000	32	125	DALI 2	596	596	2.8kg	51MQ12WD2453
with T8 lamps: 3 × 18 W or 4 × 18 W	4,000	≤ 19	4,200	33	127	On/Off	596	596	2.4 kg	51MQ12W72413

Replacement for linear luminaire	K	UGR	lm	W	lm/W	Control	Length	Width	Weight	Order no.
with T5 lamps: 1 × 28 W with T8 lamps: 1 × 36 W	4,000	≤ 22	2,400	21	115	On/Off	1,245	179	2.2 kg	51MQ15W72412
with T5 lamps: 2 × 28 W with T8 lamps: 2 × 36 W	4,000	≤ 19	4,000	33	121	On/Off	1,245	307	2.9 kg	51MQ14W72412
with T5 lamps: 2 × 28 W / 54 W with T8 lamps: 2 × 36 W	4,000	≤ 19	4,000	33	121	On/Off	1,195	295	2.9 kg	51MQ18W72412
with T5 lamps: 1 × 35 W / 49 W with T8 lamps: 1 × 58 W	4,000	≤ 22	4,000	33	121	On/Off	1,545	179	2.4 kg	51MQ16W72412
with T5 lamps: 2 × 35 W / 49 W with T8 lamps: 2 × 58 W	4,000	≤ 22	7,200	60	120	On/Off	1,545	307	3.6 kg	51MQ17W72412

Accessories for recessed and surface-mounting	Description	Dimensions mm	Order no.
Rapid-mount bracket for recessing <small>not suitable for 600 × 600 already included for 300 × 300</small> 	Rapid-mount bracket, sheet steel, galvanized, packing unit: set of 4		5MQ90040XC
			600 × 600
Ceiling recessing frame 	Recessing frame, sheet steel, white, for luminaire with dimensions:	1,195 × 295	59MQ18005021
		1,245 × 181	59MQ15005021
		1,245 × 310	59MQ14005021
		1,545 × 181	59MQ16005021
		1,545 × 310	59MQ17005021
Surface-mount housing 	Surface-mount housing, sheet steel, white, height 50 mm, for luminaire with dimensions:	600 × 600	59MQ22005021
		1,245 × 310	59MQ24005021
		1,545 × 310	59MQ27005021
Surface-mount housing (kit) 	Kit for surface-mount housing, sheet steel, white, height 70 mm, for luminaire with dimensions:	600 × 600	59MQ22004021
		1,195 × 295	59MQ18005021
		1,245 × 181	59MQ25004021
		1,245 × 310	59MQ24004021
		1,545 × 181	59MQ26004021
	1,545 × 310	59MQ27004021	

It has never been more worthwhile.

Numbers say more than a thousand words. Our example calculation of a group office shows how much can be saved.

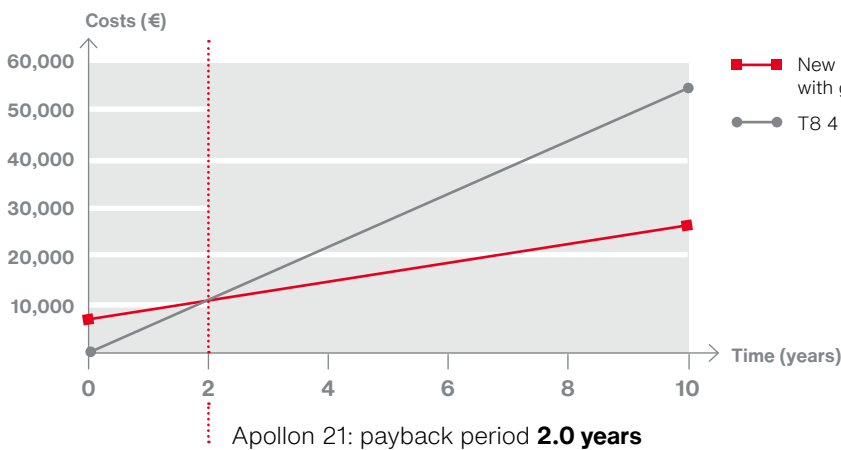
Upgrade now. Benefit immediately.

	Old system	New system with SITECO LED
Luminaire type	T8 4 × 18W	Apollon 21, 4,200 lm
No. of luminaires	72	72
Energy consumption per year (kWh)	15,300	5,940
Operating costs per year (€)	5,518	1,911
Energy	4,366	1,695
Maintenance	1,152	216
Payback period (years)		2.0

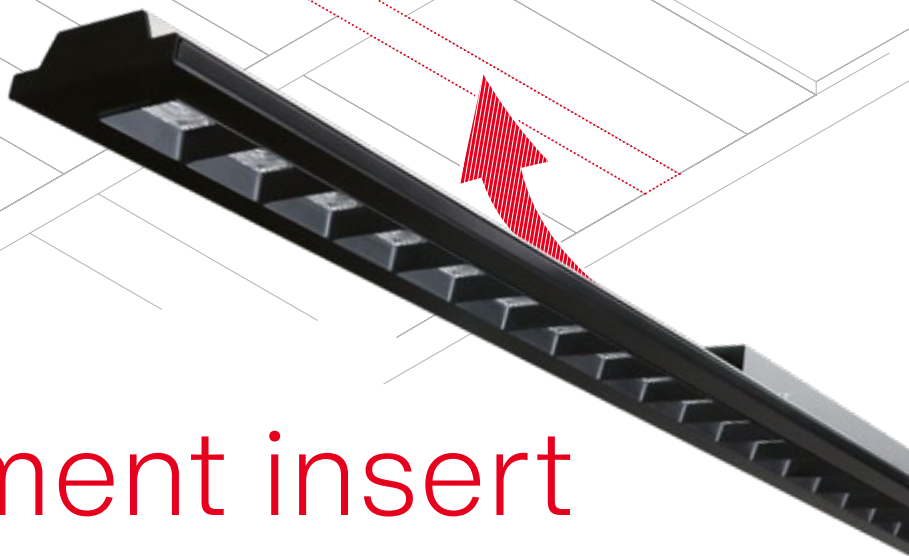
Savings of **-61% CO₂**

-65% savings on operating costs

Including government funding with a **15% subsidy**



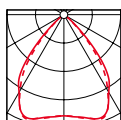
2.0
years
payback period



Silica 21 refurbishment insert

Slim and integrative for any ceiling system

- combination of two optical systems ensures optimum visual conditions for different lighting requirements
- dimensions can be adapted to existing situation
- ideal basis for a smart office due to optional integration of intelligent sensor technology
- sustainability through easily replaceable components
- individual project solutions thanks to modular design



Technical data

Color temperature	4,000 K	Temperature range	0 ... +35 °C
Luminous flux	4,320lm ... 10,800lm	Rated service life	50,000h (L85/B50) at 25 °C
Color rendering index	CRI > 80	Mounting	• installation in ceiling cutouts • installation in modular ceilings
Luminous efficacy	up to 143 lm/W	Connection voltage	220 ... 240 V AC
Beam angle	wide distribution	Housing	• steel, traffic white (RAL 9016) microstructure, matt • metallic gray (RAL 9006) microstructure • deep black (RAL 9005) microstructure
Cover	PMMA		
UGR	≤ 19		
Control	DALI 2		

Replacement for linear luminaire	K	UGR	lm*	W'	lm/W	Control	Length mm	Width mm	Order no.
with T5 lamps: 1 × 54 W with T8 lamps: 1 × 36 W	4,000	≤ 19	4,320	30	143	DALI 2	approx. 1,250	approx. 180	
with T5 lamps: 2 × 54 W with T8 lamps: 2 × 36 W	4,000	≤ 19	8,640	60	143	DALI 2	approx. 1,250	approx. 310	
with T5 lamps: 1 × 35 W / 49 W with T8 lamps: 1 × 58 W	4,000	≤ 19	5,400	38	143	DALI 2	approx. 1,545	approx. 180	on request
with T5 lamps: 2 × 35 W / 49 W with T8 lamps: 2 × 58 W	4,000	≤ 19	10,800	76	143	DALI 2	approx. 1,545	approx. 310	

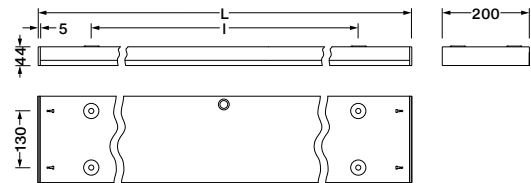
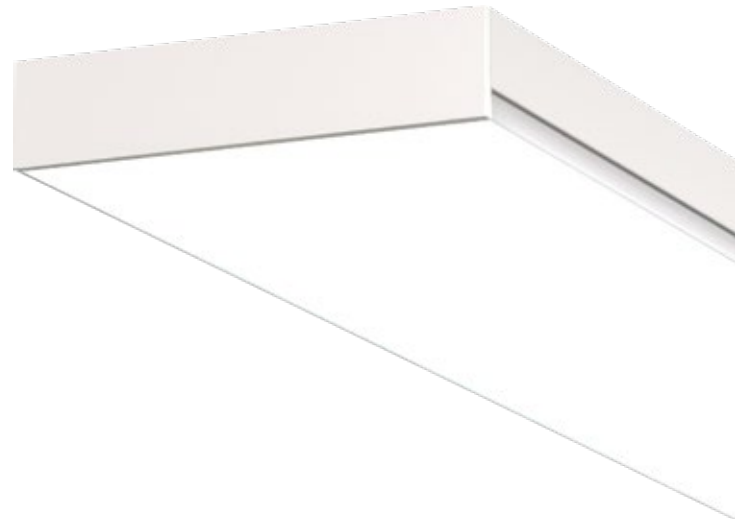
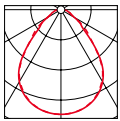
* Luminous flux and wattage adapted to the existing situation in each case.



Apollon 31 Surface

The smart surface-mounted and pendant solution.

- durable replacement for conventional louver luminaires
- excellent visual comfort and suitable for computer workstations thanks to $UGR \leq 19$
- efficient operation with up to 139lm/W
- uniformly illuminated cover without dark spots
- easy installation and maintenance due to separation of gear tray from ECG and luminaire insert
- tool-free electrical contacting and through-wiring up to 2.5mm²
- easy installation of continuous rows possible



L	I
1.245	1.000
1.545	1.300

Technical data

Color temperature	4,000 K	Temperature range	-20 ... +40 °C
Luminous flux	3,800lm ... 7,700lm	Rated service life	50,000h (L85/B50) at 25 °C
Color rendering index	CRI > 80	Mounting	Ceiling surface-mounting With accessories: • suspended mounting • continuous row mounting
Luminous efficacy	up to 139lm/W	Connection voltage	220 ... 240 V AC
Beam angle	direct, wide distribution	Housing	coil-coated sheet steel, traffic white (RAL 9016)
Cover	microprismatic, PMMA		
UGR	≤ 19		
Control	On/Off Multilumen		

Replacement for surface-mounted luminaires

	K	UGR	lm	W	lm/W	Control	Length	Width	Weight	Colour	Order no.
with T5 lamps: 2 × 28 W / 1 × 54 W with T8 lamps: 1 × 36 W / 2 × 36 W	4,000	≤ 19	3,800 (max. 5,000)	27	139	On/Off Multilumen	1,245	200	3.0 kg	white (RAL 9016)	51MP25WM2441W
with T5 lamps: 1 × 35 W / 2 × 35 W 1 × 49 W / 2 × 49 W with T8 lamps: 1 × 58 W / 2 × 58 W	4,000	≤ 19	4,600 (max. 7,700)	33	139	On/Off Multilumen	1,545	200	5.5 kg	white (RAL 9016)	51MP26WM2441W

Accessories for recessed and surface-mounting

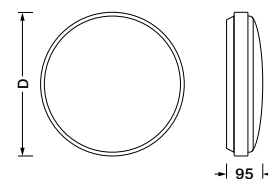
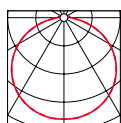
	Description	Order no.
Y-wire suspension	For On/Off luminaire: Y-wire suspension, ceiling sleeve, with 4 terminals, 1-pole, max. 2.5 mm ²	59MQ31000021
Continuous row connector	Sheet steel	59MP20007021



Rondel 31

Practical and robust.

- for replacement of surface-mounted luminaires equipped with compact fluorescent lamps
- efficient wall and ceiling luminaire for entrance areas, staircases, corridors, hallways and ancillary rooms
- IP65 and IK10 – especially resistant
- quick and simple mounting



D
 Ø 350
 Ø 480

± 95

Technical data

Color temperature	3,000 K 4,000 K	Control	On/Off Multilumen
Luminous flux	1,600lm ... 4,250lm	Temperature range	-20 ... +40 °C
Color rendering index	CRI > 80	Rated service life	50,000h (L80/B50) at 25 °C
Luminous efficacy	120lm/W 125lm/W	Mounting	ceiling or wall mounting
Beam angle	direct distribution	Connection voltage	220 ... 240 V AC
Cover	PMMA	Housing	PC, traffic white (RAL 9016)

Replacement for wall and ceiling luminaires with compact fluorescent lamps

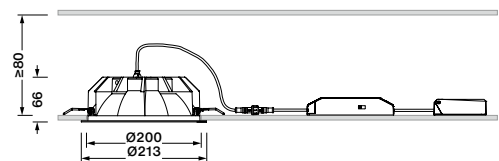
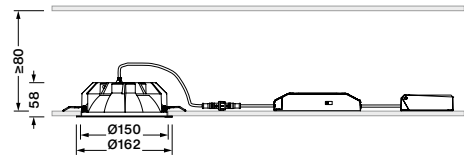
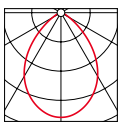
	K	lm 4-level adjustable	W	lm/W	Diameter	Weight	Order no.
2 x TC-F 24W	3,000	1,600 ... 2,300	19	120	350mm	1.7 kg	51WC10MA32A
2 x TC-F 24W	4,000	1,700 ... 2,400	19	125	350mm	1.7 kg	51WC10MA42A
2 x TC-F 36W / 1 x T5-R 40W	3,000	3,400 ... 4,100	34	120	480mm	2.9 kg	51WC10MB34A
2 x TC-F 36W / 1 x T5-R 40W	4,000	3,550 ... 4,250	34	125	480mm	2.9 kg	51WC10MB44A



Lunis 21

Always in the right light.

- suitable for a wide range of applications thanks to modular design and various sizes
- integrates perfectly into the room design due to darklight optic and clear design
- simple ceiling integration due to flat design of less than 60mm
- quick and easy mounting



Technical data

Color temperature	4,000 K	Control	On/Off
Luminous flux	1,700lm 2,289lm	Rated service life	50,000h (L85/B50) at 25 °C
Color rendering index	CRI > 80	Mounting	ceiling recessing without further luminaire-specific accessories
Luminous efficacy	up to 129lm/W	Connection voltage	220 ... 240 V AC
Beam angle	wide distribution	Housin	die-cast aluminum, traffic white (RAL 9016)
UGR	≤ 19		
Light control	lens, reflector		

Replacement for downlight with compact fluorescent lamps

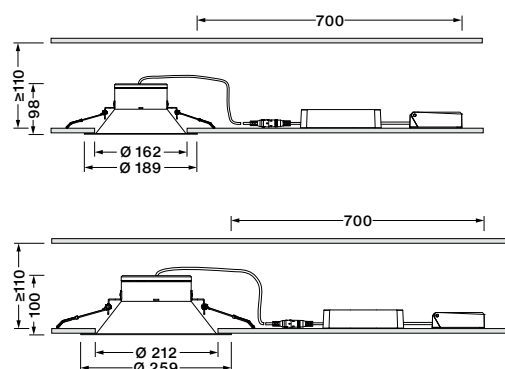
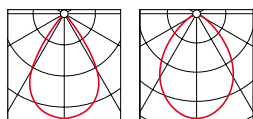
	K	UGR	lm	W	lm/W	Control	Ceiling cutout Ø	Diameter	Weight	Order no.
2 × 18 W / 2 × 26 W with ceiling cutout 150 mm	4,000	≤ 19	1,700	14	123	On/Off	150 mm	162 mm	0.6 kg	51DB15MD4C
2 × 26 W / 1 × 32 W with ceiling cutout 200 mm	4,000	≤ 19	2,289	18	129	On/Off	200 mm	213 mm	1.0 kg	51DB15MF4D



Lunis 31

The practical downlight for office and general lighting.

- very efficient and elegant downlight with powder-coated white reflector
- models with $UGR \leq 19$ suitable for VDU workstations
- aluminum housing for optimal heat dissipation and long service life
- quick and easy mounting



Technical data

Color temperature	4,000 K	Control	On/Off
Luminous flux	1,040lm ... 2,150lm	Rated service life	50,000h (L85/B50) at 25 °C
Color rendering index	CRI > 80	Mounting	ceiling recessing without further luminaire-specific accessories
Luminous efficacy	125lm/W	Connection voltage	220 ... 240 V AC
Beam angle	wide distribution	Housing	coated aluminum, traffic white (RAL 9016)
UGR	≤ 19 $\leq 22^*$		
Light control	lens, reflector lens, reflector and opal cover disc		

Replacement for downlight with compact fluorescent lamps

	K	UGR	lm	W	lm/W	Control	Ceiling cutout Ø	Diameter	Weight	Order no.
1 x 18 W / 1 x 26 W with ceiling cutout 162 mm	4,000	≤ 19	1,040	8	125	On/Off	162 mm	189 mm	0.3 kg	51DN157E41
1 x 18 W / 1 x 26 W with ceiling cutout 162 mm	4,000	$\leq 22^*$	1,040	8	125	On/Off	162 mm	189 mm	0.3 kg	51DN167E41
2 x 18 W / 2 x 26 W with ceiling cutout 212 mm	4,000	≤ 19	2,150	17	125	On/Off	212 mm	259 mm	0.5 kg	51DN157G42
2 x 18 W / 2 x 26 W with ceiling cutout 212 mm	4,000	$\leq 22^*$	2,150	17	125	On/Off	212 mm	259 mm	0.5 kg	51DN167G42

* with opal cover disc

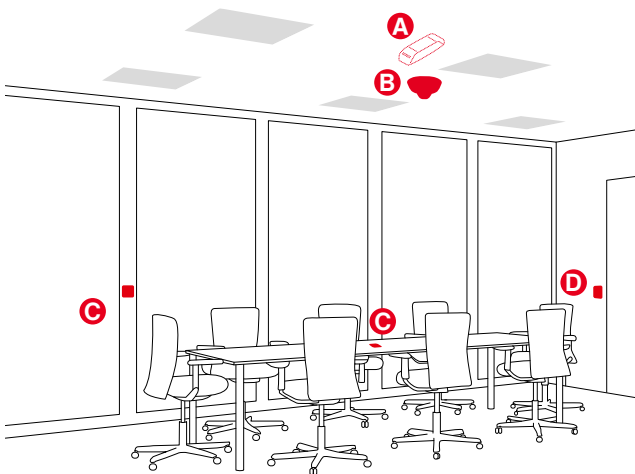


SITECO Connect 31

Efficient light thanks to smart assistants.

- lighting control for single rooms with SITECO Connect 31 Gen2 for refurbishing office spaces and ancillary rooms
- effortless commissioning and control: easy switching, dimming and scene selection via the on-site push-button or the intuitive smartphone app or the touch panel
- everything customizable if required: allows the adaptation of preconfigured scenes and the storage of time schedules, authorizations and user profiles
- trouble-free selection, expansion and commissioning thanks to perfectly matched components in professional quality

Refurbishment example for meeting rooms



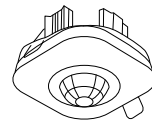
A Controller



Autonomous, local control system

- Full intelligence in the controller without master components
- Simple commissioning without programming knowledge
- Integrated DALI power supply

B Sensor



Control via motion and daylight

- Light on demand
- Energy savings up to 47%*
- Accelerated payback

* Savings depend on structural conditions and user presence.

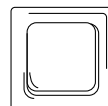
C Touch panel



Control via lighting scenes

- Simple and intuitive operation
- Selection of lighting scenes (presentation, meeting, etc.)
- Selection of light colors (technical requirement: luminaires with DALI DT8 control gear)

D Standard push-button



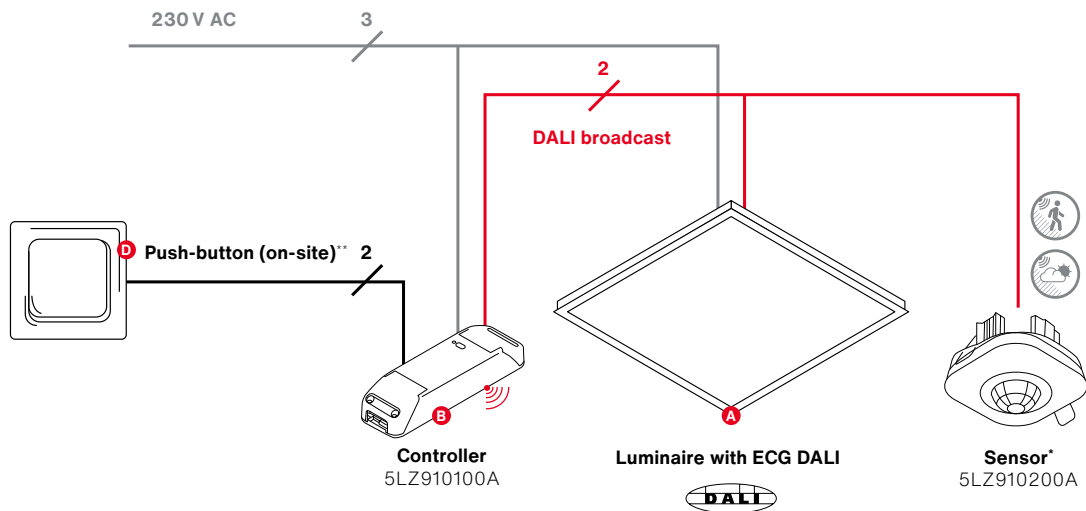
Control via On/Off/Dim

- Individual adjustment of lighting level
- User can always intervene manually

Individual components

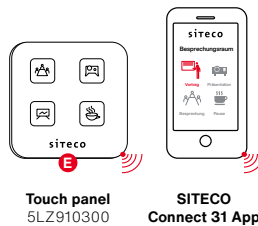
Individual components	Order no.
SC 31 Controller Gen2, plastic, pure white (RAL 9010)	5LZ910100A
SC 31 Sensor Gen2, plastic, pure white (RAL 9010)	5LZ910200A
SC 31 Touch panel, plastic, pure white (RAL 9010)	5LZ910300

Easy mounting with standard installation material



Number of components in system configuration

Controller B			1	
Sensor* C	0	1	2	3
Luminaire with ECG DALI A	≤ 45	≤ 40	≤ 35	≤ 30
Touch panel E	≤ 3	≤ 3	≤ 3	≤ 3
Push-button** (on-site) D	≤ 3	≤ 3	≤ 3	≤ 3



Sensor range

Mounting height	Radial	Tangential	Presence
h = 2.5 m	Ø 5.0 m	Ø 6.5 m	Ø 3.5 m
h = 3.0 m	Ø 6.0 m	Ø 7.5 m	Ø 4.5 m
h = 3.5 m	Ø 7.0 m	Ø 8.5 m	Ø 6.0 m

* Power + Dali + sensors: maximum total cable length 300 m (when laid with standard cable, e.g. NYM-J 5G 1.5 mm²)

** Push-button on-site: maximum total cable length 50 m (when laying with standard cable, e.g. NYM-J 5G 1.5 mm²)

The above illustration serves only as an example of a circuit diagram for a light management system. For specific applications, individual planning (in particular for cable and circuit dimensioning, types of cables, fire barriers, routing, etc.) by qualified personnel is essential. Siteco GmbH assumes no liability for the correctness of the above illustration.

	Old system	New system with SITECO LED	New system with SITECO LED and control system
Luminaire type	T8 4 × 18W	Silica 21, 3,890lm	Silica 21, 3,890lm + SITECO Connect
No. of luminaires	72	72	72
Energy consumption per year (kWh)	15,300	4,842	1,453
Operating costs per year (€)	5,518	1,598	631
Energy	4,366	1,382	415
Maintenance	1,152	216	216
Payback period (years)		3.18	2.90

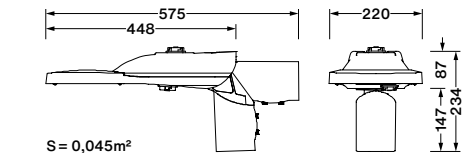
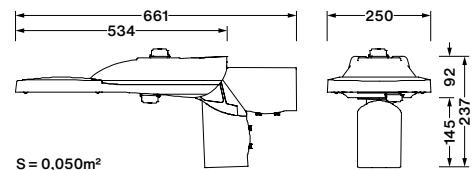
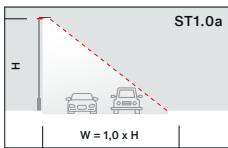
Savings of **-91% CO₂**
-89% savings on operating costs
 Including government funding with a **15% subsidy**



Streetlight SL 31

Simply practical light – robust, cost-efficient and future-proof.

- low operating costs thanks to very high energy efficiency with luminous efficacy of up to 153lm/W
- long service life of more than 100,000h thanks to sustainable product concept and durable components



Technical data

Color temperature	3,000 K	Rated service life	100.000h (L90)
Luminous flux	4,900lm 8,400lm	Mounting	post-top / side entry
Color rendering index	CRI > 70	Spigot size	76 / 60mm (42mm with reducer)
Luminous efficacy	140lm/W	Connection voltage	220 ... 240 V AC
Light control	lenses		terminal
Cover	toughened safety glass, clear	Housing	die-cast aluminum, SITECO metallic gray (DB 702S)
Control	PLUS	Accessories	reducer
Temperature range	-30 ... +50 °C		

Replacement for road luminaire

	Beam angle	K	lm	W	lm/W	Size	Weight	Order no.
with HME lamps: 1 × 80W / 1 × 125W with HSE lamps: 1 × 50W / 1 × 120W	direct asymmetric wide distribution, ST1.0a	3,000	4,900	35	140	micro	3.6 kg	5XF1E32D08DA
with HME lamps: 1 × 250W with HSE lamps: 1 × 100W	direct asymmetric wide distribution, ST1.0a	3,000	8,400	60	140	mini	4.7 kg	5XF2E32D08HA

Accessories

	Weight	Order no.
Reducer, spigot size: 76/42mm	0.1kg	5XC1008XR14

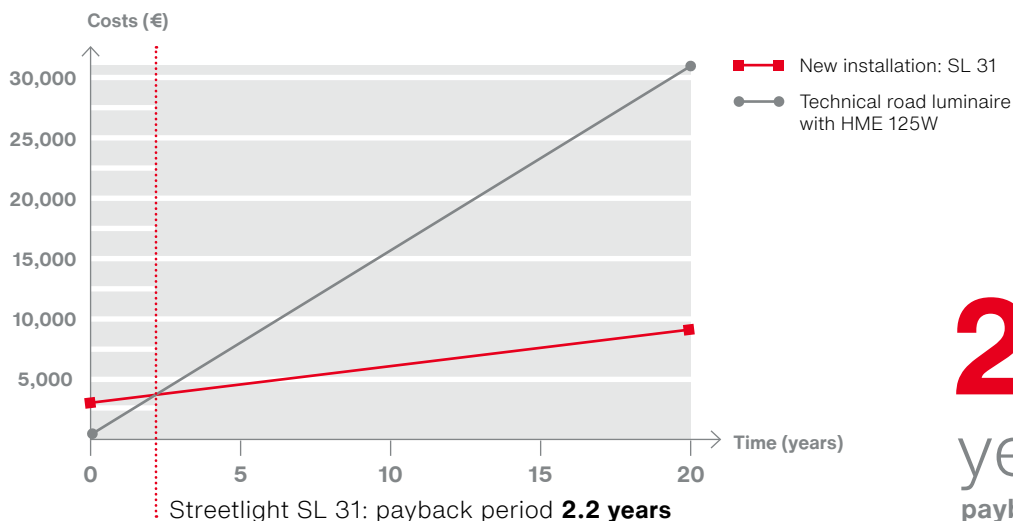
It has never been more worthwhile.

Numbers say more than a thousand words. Our example calculation of an approach road shows you how much can be saved.

Upgrade now. Benefit immediately.

	Old system	New system with SITECO LED
Luminaire type	Technical road luminaire HME 125 W	Streetlight SL 31 micro, 4,900lm
No. of luminaires	10	10
Energy consumption per year (kWh)	2,982	735
Operating costs per year (€)	1,494	265
Energy	1,074	265
Maintenance	420	0
Payback period (years)		2.2

Savings of **-75% CO₂**
-82% savings on operating costs



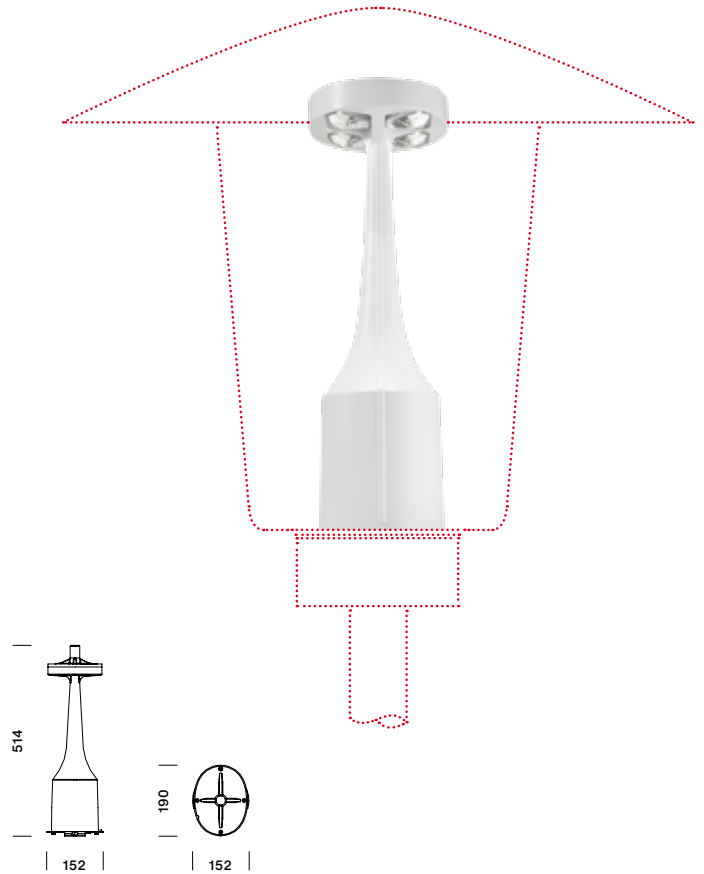
2.2
 years
 payback period



Module 540

Modular into the future of city lighting.

- allows refurbishment of heritage luminaires and historical luminaires as well as surface-mounted and suspended luminaires with a vertical design
- low energy consumption with high luminous efficacy
- high visual comfort and innovative LED technology with unique visual guidance
- easy replacement due to simple mounting and electrical connection at the mast without special tools
- available with iQ Street Remote



Technical data

Color temperature	3,000 K 4,000 K	Control	overheating protection power reduction digital communication interface time-dependent luminous flux control flexible parameterization of luminous flux optimized constant luminous flux control
Luminous flux	1,610 lm ... 3,820 lm	Rated service life	100,000 h (L95/B10)
Color rendering index	CRI > 70	Type of protection	protection rating is determined by the luminaire housing
Luminous efficacy	up to 148 lm/W	Connection voltage	220 ... 240 V AC
Beam angle	wide distribution, symmetry/ asymmetry depending on model	Housing	traffic white (RAL 9016)

Replacement for	Beam angle	K	lm	W ^{start}	W ^{end}	W ^{red}	lm/W	Weight	Order no.
Post-top luminaire with vertical design (HME, HSE, HIE, TC-L)	wide distribution, asymmetric	3,000	1,610	14	14	7	119	2.7 kg	5XA5403EB04F
	wide distribution, symmetric	3,000	3,140	26	27	12	123	2.7 kg	5XA5403JB04F
Heritage luminaire and historical luminaire (HME, HSE, HIE)	wide distribution, asymmetric	4,000	1,610	11	11	6	146	2.7 kg	5XA5403KB04F
	wide distribution, symmetric	4,000	3,820	26	27	13	148	2.7 kg	5XA5403RB04F

Pre-parameterized module order with pre-assembled cable possible on request.

Accessories	Weight	Order no.
Spreader element, packaging unit: set of 2	0.2 kg	5XA54000XS
Shielding on building side, H = 150mm	0.1 kg	5XA54000XBS
Shielding on building side, H = 430mm	0.5 kg	5XA54000XBSL

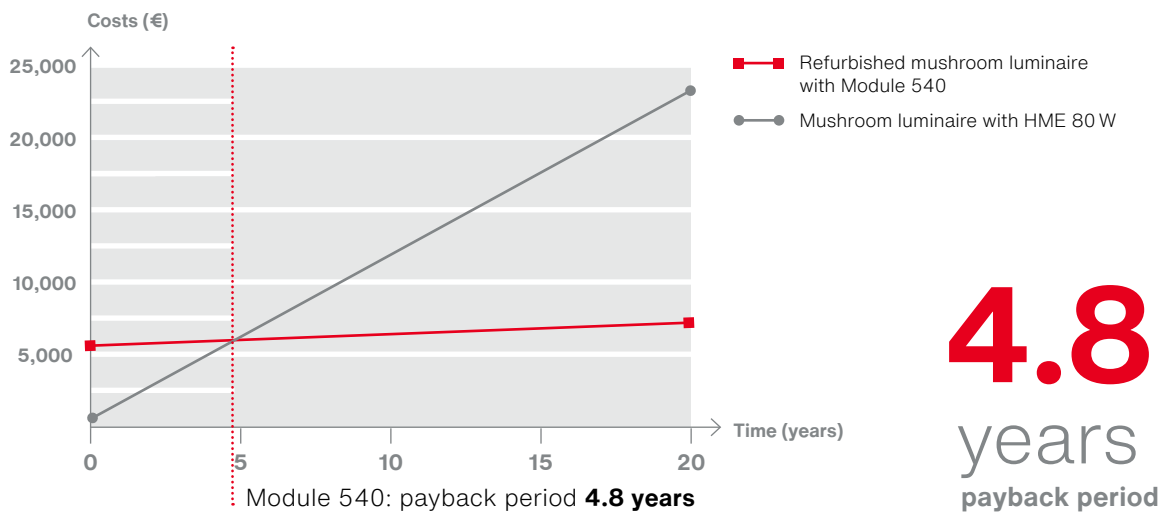
It has never been more worthwhile.

Numbers say more than a thousand words. Our example calculation of a private access road shows you how much can be saved.

Upgrade now. Benefit immediately.

	Old system	New system with SITECO LED
Luminaire type	Mushroom luminaire with HME 80W	Mushroom luminaire with Module 540
No. of luminaires	10	10
Energy consumption per year (kWh)	1,974	231
Operating costs per year (€)	1,131	83
Energy	711	83
Maintenance	420	0
Payback period (years)		4.8

Savings of **-88% CO₂**
-93% savings on operating costs



4.8
 years
 payback period

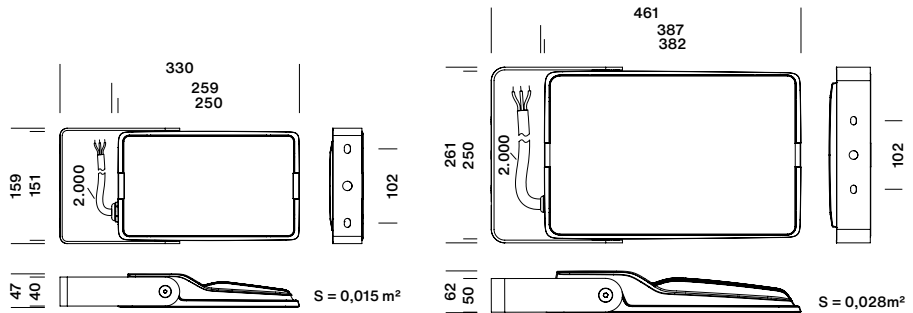
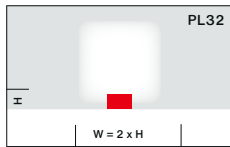


SiCompact 31

micro/mini

Industrial design meets state-of-the-art technology.

- simple, quick installation thanks to mounting bracket and pre-assembled 2-meter connection cable
- efficient operation with up to 170lm/W and asymmetric narrow beam distribution
- high flexibility for all requirements
- robust housing and ESD-safe LED module, dustproof and high vibration stability tested with 250,000 strikes



Technical data

Color temperature	4,000 K	Rated service life	100,000h (L80/B50)
Luminous flux	4,400lm 8,000lm	Mounting	on walls on ceilings on supporting structures on cross-arms
Color rendering index	CRI > 70	Connection voltage	220 ... 240 V AC
Luminous efficacy	up to 170lm/W		pre-assembled connection cable
Beam angle	asymmetric distribution	Housing	die-cast aluminum, metallic gray (RAL 9006)
Light control	lenses	Accessories	plug/socket system connection, single/double cross-arms
Cover	toughened safety glass, clear		
Control	On/Off		
Temperature range	-40 ... +45 °C		

Replacement for floodlight with metal halide lamps

	Beam angle	K	lm	W	lm/W	Control	Size	Weight	Order no.
70W HIT-CE	asymmetric distribution, PL32	4,000	4,400	29	152	On/Off	micro	2.8kg	5XA7561A2K23
150W HIT-CE	asymmetric distribution, PL32	4,000	8,000	47	170	On/Off	mini	5.8kg	5XA7571B2K23

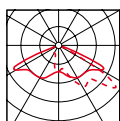
Accessories

	Weight	Order no.
Connectivity: plug/socket, IP65, 3-pole, max. 2.5mm ²	0.1kg	5NX30003

SiStellar maxi refurbishment insert

Don't dispose. Refurbish.

- simple refurbishment of existing luminaires with maximum preservation of materials – 90 % of the old luminaire is retained
- long life of up to 100,000h thanks to optimized thermal management
- also available in the particularly insect-friendly 3,000 Kelvin light color
- highly economical solution with rapid payback
- high visual comfort thanks to narrow beam and uniform illumination with 0 % light pollution



Technical data

Color temperature	3,000 K	Control	On/Off
Luminous flux	70,630lm	Temperature range	-30 ... +40 °C outdoors
Color rendering index	CRI > 80	Rated service life	up to 100,000 h
Luminous efficacy	113lm/W	Connection voltage	220 ... 240 V AC
Beam angle	PL43	Housing	die-cast aluminum
Cover	cover panel of toughened safety glass, clear		

Replacement for conventional gear trays for SiStellar maxi

	K	lm	W	lm/W	Control	Order no.
for refurbishing existing luminaires	3,000	70,630	624	113	On/Off	5XA768000ZS00185XX

Our complete portfolio: **siteco.com**

Contact.

Siteco GmbH

Georg-Simon-Ohm-Str. 50
83301 Traunreut, Germany
Tel. +49 8669 330
info@siteco.com

siteco.com