

siteco



**Essential products  
for professionals.**

Reliable, practical, simply good.

# Content

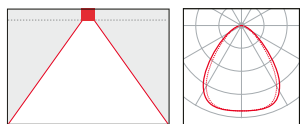
<b>3</b>	Office luminaires and kits
<b>6</b>	Downlights
<b>8</b>	Trunking systems
<b>10</b>	Damp-proof and batten
<b>17</b>	Highbay
<b>19</b>	Road and parking
<b>22</b>	Floodlighting

# Apollon® 41

Part of  
Range  
40

## The economical and versatile lay-in panel.

- Microprismatic cover in combination with LED backlighting provides homogeneous and glare-free light distribution with UGR 19 and BAP65
- An economical lighting solution as a lay-in panel thanks to cost-optimized design and high efficiency
- With a lifetime of 50,000 h, Apollon® 41 is a long-lasting replacement for traditional recessed luminaires

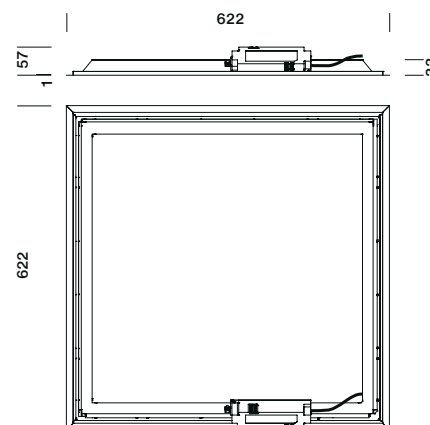


### Technical product information

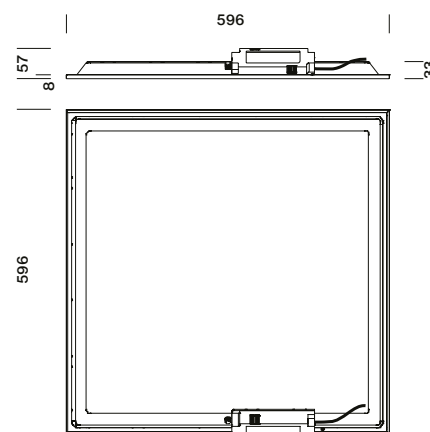
<b>Colour temperature</b>	3,000 K, 4,000 K, 6,500 K
<b>Rated luminous flux</b>	3,550 lm, 3,700 lm, 5,250 lm
<b>Luminous efficacy</b>	up to 105 lm / W
<b>Colour rendering index</b>	CRI > 80
<b>Rated input power</b>	35 W, 50 W
<b>Beam angle</b>	wide distribution
<b>Glare reduction</b>	< 19, < 22
<b>Control</b>	ON / OFF or DALI
<b>Protection rating</b>	IP20 (on the room side IP40)
<b>Protection class</b>	II
<b>Rated service life</b>	50,000 h (L70 / B50)

Apollon® 41		3,000 K	4,000 K	6,500 K
<b>Modul 625</b>	3,550 lm	ON / OFF	51MH11W72322	
	3,700 lm	ON / OFF		51MH11W72422
	3,700 lm	DALI		51MH11WD2422
<b>Modul 600</b>	3,550 lm	ON / OFF	51MH12W72322	
	3,700 lm	ON / OFF		51MH12W72422
	3,700 lm	DALI		51MH12WD2422
	5,250 lm	DALI		51MH12HD2422
	3,700 lm	ON / OFF		51MH12W72622

M625



M600



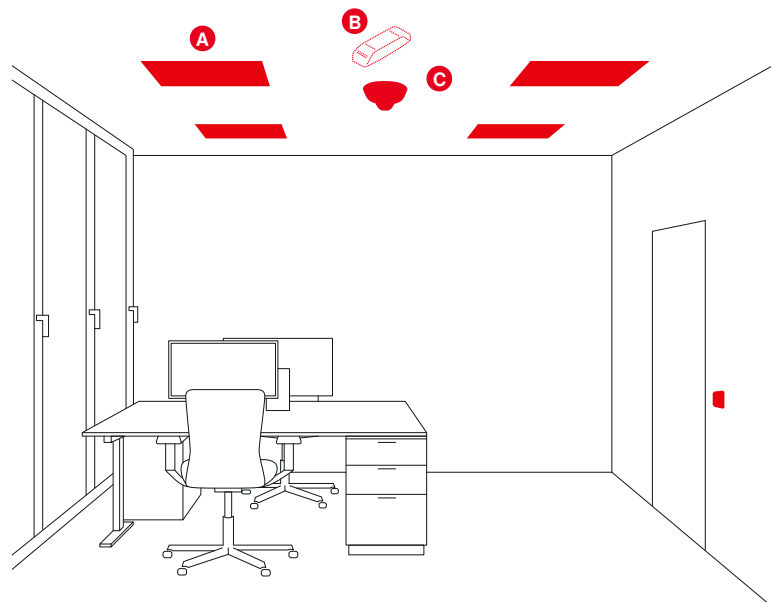
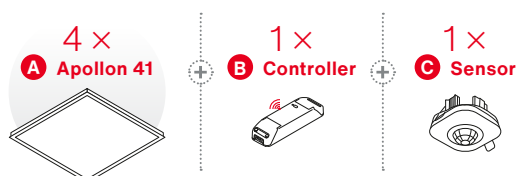
Single luminaire for lay-in mounting in ceiling systems; installation in ceiling cutout is not possible.

# Connect 31

## Kit Work.

### Plug & play kit for the lighting of office areas

incl. presence detection and push-button operation.



## Kits

## Order number

Kit Work with luminaires in the format 625 × 625 mm

**5LZ910W11401**

Kit Work with luminaires in the format 600 × 600 mm

**5LZ910W12401**

## Content

4 × Recessed luminaire for module dimension 625 × 625 mm (600 × 600 mm); 4,000 K; 3,700 lm; CRI > 80; 35 W

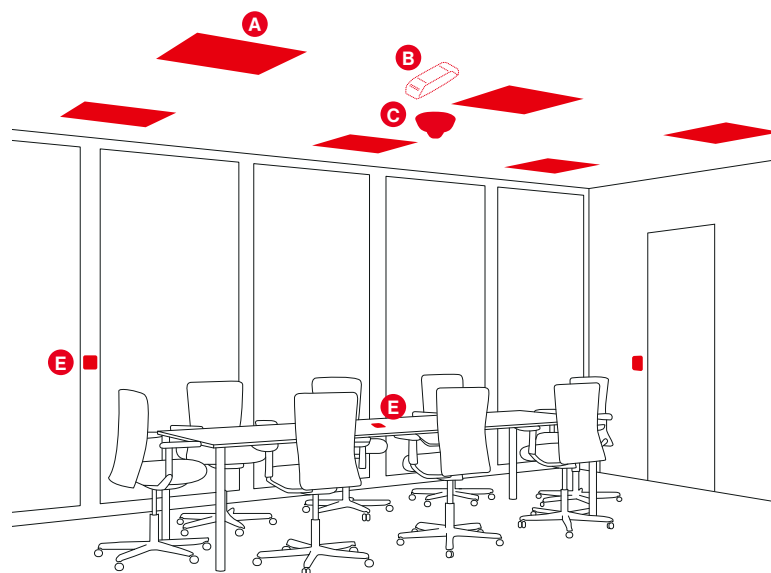
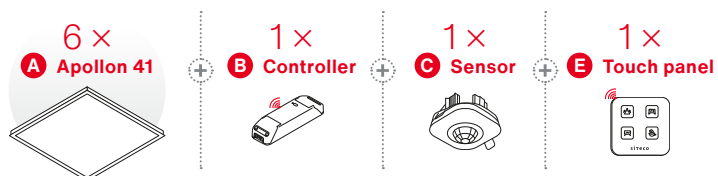
1 × DALI SC 31 controller for room control incl. connection for on-site push-button and Bluetooth interface for touch panel

1 × Smart SC 31 sensor for presence and motion detection for mounting heights up to 3.5 m

## Kit Meet.

### Plug & play kit for the lighting of meeting rooms

incl. presence detection, push-button operation and touch panel for selection of lighting scenes.



## Kits

## Order number

Kit Meet with luminaires in the format 625 × 625 mm

**5LZ910T11401**

Kit Meet with luminaires in the format 600 × 600 mm

**5LZ910T12401**

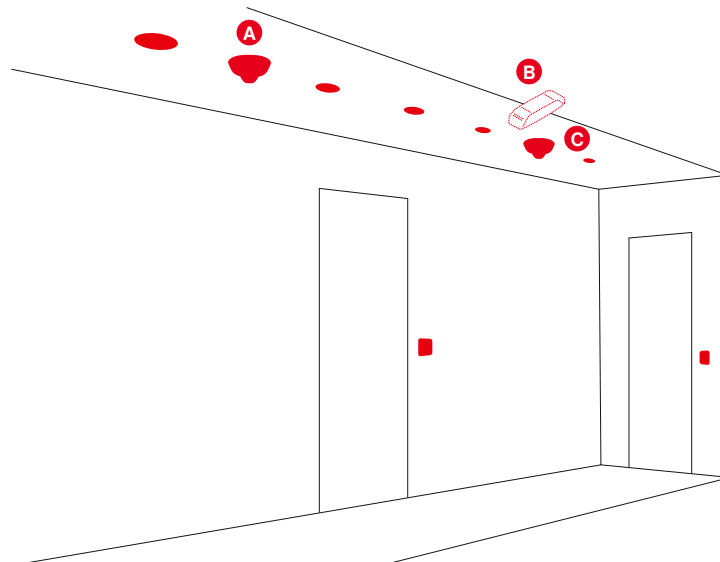
## Content

6 × Recessed luminaire for module dimension 625 × 625 mm (600 × 600 mm); 4,000 K; 3,700 lm; CRI > 80; 35 W

1 × DALI SC 31 controller for room control incl. connection for on-site push-button and Bluetooth interface for touch panel

1 × Smart SC 31 sensor for presence and motion detection for mounting heights up to 3.5 m

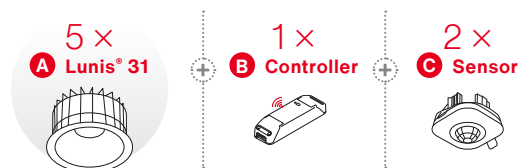
1 × Bluetooth SC 31 touch panel for manual control of lighting scenes incl. customizable icons; integration to controller



**Kit Move.**

**Plug & play kit for the lighting of circulation areas, sanitary facilities and utility rooms**

incl. motion detection and optional push-button operation.



**Kits**

Kit Move

**Order number**

5LZ910MDL401

**Content**

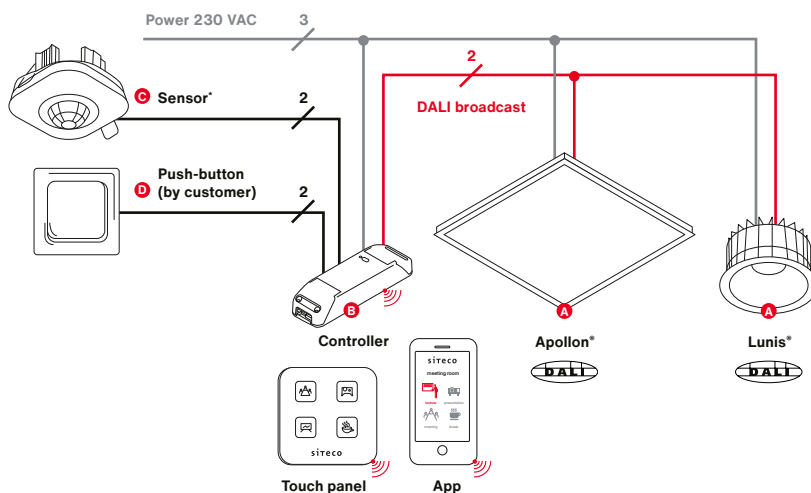
5 x DALI downlight with high gloss reflector / Ø 172 mm, ceiling cutout Ø 162 mm; 4,000 K; 1,120 lm; CRI > 80; 11 W

1 x DALI SC 31 controller for room control incl. connection for on-site switch and Bluetooth interface for touch panel

2 x Smart SC 31 sensor for presence and motion detection for mounting heights up to 3.5 m

# Quick. Simple. Expandable.

Due to the perfectly matched components made with professional quality, there are no difficulties with selection or compatibility. All kits are easy to extend and can be put into operation in an instant.



**Easy mounting with standard installation material.**

**Additional accessories**

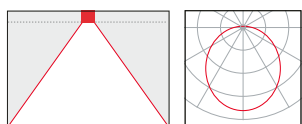
	<b>Order number</b>
Apollon 41, 4,000 K, 3,700 lm, M625, DALI	<b>51MH11WD2422</b>
Apollon 41, 4,000 K, 3,700 lm, M600, DALI	<b>51MH12WD2422</b>
Downlight Lunis 31, 4,000 K, 1,120 lm, 162 mm, DALI, highly specular	<b>5DL11BD7H3S9</b>
DALI SC 31 controller for room control incl. connection for on-site switch and Bluetooth interface for touch panel	<b>5LZ910100</b>
Smart SC 31 sensor for presence and motion detection for mounting heights up to 3.5 m	<b>5LZ910200</b>
Bluetooth SC 31 touch panel for manual control of lighting scenes incl. customizable icons; integration to controller	<b>5LZ910300</b>



# Lunis<sup>®</sup> 40 Flat

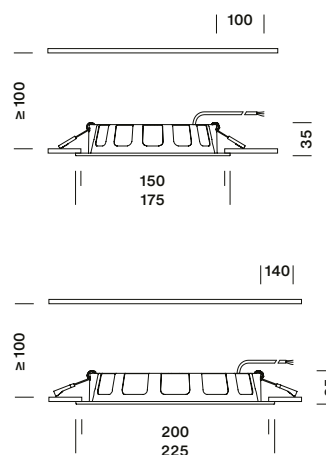
## A practical solution for any application.

- Perfect for refurbishment and as a replacement for conventional downlights
- Compact design for standard ceiling cutouts
- Perfect for general lighting tasks thanks to homogeneous, wide light distribution



### Technical product information

<b>Colour temperature</b>	4,000 K
<b>Rated luminous flux</b>	1,360 lm, 2,160 lm
<b>Luminous efficacy</b>	up to 90 lm / W
<b>Colour rendering index</b>	CRI > 80
<b>Rated input power</b>	16 W, 24 W
<b>Beam angle</b>	wide distribution
<b>Control</b>	ON / OFF
<b>Protection rating</b>	IP20
<b>Protection class</b>	II
<b>Temperature range</b>	-20 ... +40° C
<b>Rated service life</b>	30,000 h (L70 / B50)



### Lunis<sup>®</sup> 40 Flat

**4,000 K**

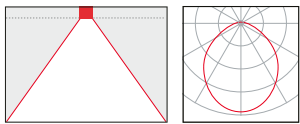
cutout = 150 mm	1,360 lm	ON / OFF	5DF10C77461S
cutout = 200 mm	2,160 lm	ON / OFF	5DF10C77561S



# Lunis<sup>®</sup> 40 IP65

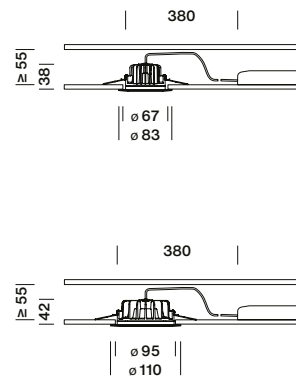
## The downlight family with IP65.

- IP65 allows installation even in damp locations
- Compact and powerful LED technology
- Wide, homogeneous light distribution



### Technical product information

<b>Colour temperature</b>	3,000 K
<b>Rated luminous flux</b>	350 lm, 750 lm
<b>Luminous efficacy</b>	up to 107 lm / W
<b>Colour rendering index</b>	CRI > 80
<b>Rated input power</b>	3.5 W, 7 W
<b>Beam angle</b>	wide distribution
<b>Control</b>	leading edge / leading edge
<b>Protection rating</b>	IP20 (on the room side IP65)
<b>Protection class</b>	II
<b>Temperature range</b>	-20 ... +40° C
<b>Rated service life</b>	50,000 h (L70 / B50)



Lunis<sup>®</sup> 40 IP65

3,000 K

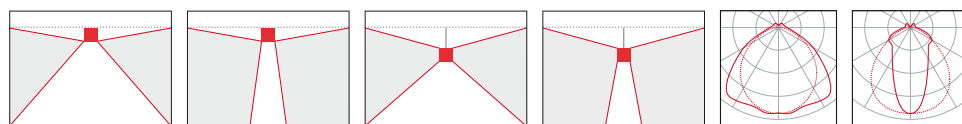
cutout = 67 mm	350 lm	lead. / trail. edge ph. cut	5DP10C72V365
cutout = 95 mm	750 lm	lead. / trail. edge ph. cut	5DP10C77S365

# Modario® 31 & DUS® 31

## The perfect trunking system solution for performance and efficiency.

- Highly efficient LED inserts with up to 166 lm / W – also suitable for replacement of conventional luminaire inserts in existing Modario® / DUS® systems to easily take advantage of energy-saving potential
- Sensor-controlled luminous flux tracking and multi-lumen with ON / OFF types to provide lighting levels as required
- Proven, functional system with state-of-the-art technology
- Prismatic frosted optic for low glare and high visual comfort
- Quick and easy installation

### Modario® 31



#### Technical product information

<b>Colour temperature</b>	4,000 K
<b>Rated luminous flux</b>	8,930 lm, 5,040 – 8,950 lm*
<b>Luminous efficacy</b>	up to 150 lm / W
<b>Colour rendering index</b>	CRI > 80
<b>Rated input power</b>	60 W, 62 W
<b>Beam angle</b>	wide distribution / narrow distribution
<b>Control</b>	ON / OFF or DALI
<b>Protection rating</b>	IP20 (LED compartment IP50)
<b>Protection class</b>	I
<b>Impact resistance</b>	IK03
<b>Temperature range</b>	-25 ... +30° C**
<b>Rated service life</b>	50,000 h (L85 / B50)

Meets IFS (International Food Standard) requirements for safety and quality in the food industry.

\* Manually adjustable before installation via DIP switch.

\*\* For ceiling surface-mounting: reduction of maximum allowable ambient temperature by 5° C.

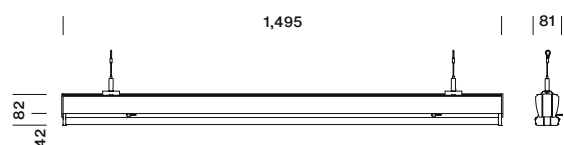
#### Modario® 31 – Luminaire inserts<sup>1)</sup>

**4,000 K**

<b>wide distribution</b>	5,040 – 8,950 lm*	ON / OFF	53BM812M1V4085
	8,930 lm	DALI	53BM812D2V4085
<b>narrow distribution</b>	8,930 lm	DALI	53BM811D2V4085

<sup>1)</sup> Other variants can be found in the electronic catalog on our website ([www.siteco.com](http://www.siteco.com)).

\* Manually adjustable before installation via DIP switch.



#### Modario® 31 – Trunking rails<sup>1)</sup>

**5 × 2,5 mm<sup>2</sup> 10 × 2,5 mm<sup>2</sup>**

long, white	L = 1,495 mm	5TR10150Q	5TR101A0Q
two-length, white	L = 2,960 mm	5TR10250Q	5TR102A0Q
three-length, white	L = 4,485 mm	5TR10350Q	5TR103A0Q

<sup>1)</sup> Other variants can be found in the electronic catalog on our website ([www.siteco.com](http://www.siteco.com)).

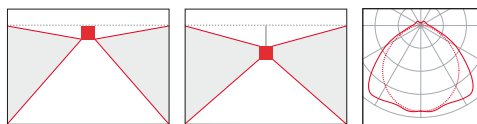
#### Modario® 31 – Accessories

Blind insert; L = 1,495 mm; white	1 pc.	5TR30200Q
2 × Front panel; transparent (incl. power supply socket)		5TR9016
Ceiling fastening element, V2A	1 pc.	5LS91101EA
Wire suspension with loop; 2,0 m	1 pc.	5TR901302
Chain hanger, rail side	1 pc.	5TR9012
Link chain, steel, galvanised	run. m.	5LY9001



## DUS® 31

LED luminaire insert for refurbishment of existing DUS® trunking systems with fluorescent lamps



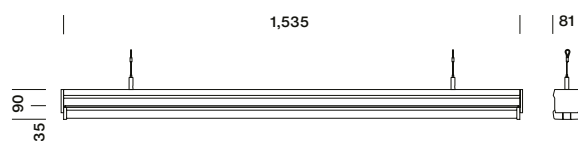
### Technical product information

<b>Colour temperature</b>	4,000 K
<b>Rated luminous flux</b>	8,930 lm, 5,040 – 8,950 lm*
<b>Luminous efficacy</b>	up to 150 lm / W
<b>Colour rendering index</b>	CRI > 80
<b>Rated input power</b>	60 W, 62 W
<b>Beam angle</b>	wide distribution
<b>Control</b>	ON / OFF or DALI
<b>Protection rating</b>	IP20 (LED compartment IP50)
<b>Protection class</b>	I
<b>Impact resistance</b>	IK03
<b>Temperature range</b>	-25 ... +25° C**
<b>Rated service life</b>	50,000 h (L85 / B50)

Meets IFS (International Food Standard) requirements for safety and quality in the food industry.

\* Manually adjustable before installation via DIP switch.

\*\* For ceiling surface-mounting: reduction of maximum allowable ambient temperature by 5° C.



### DUS® 31 – Luminaire inserts<sup>1)</sup>

**4,000 K**

<b>wide distribution</b>	5,040 – 8,950 lm*	ON / OFF	53BD812M1V4085
	8,930 lm	DALI	53BD812D2V4085

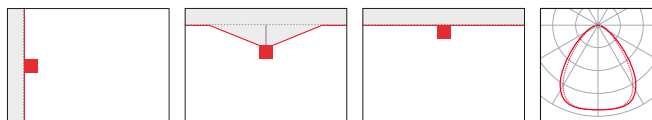
<sup>1)</sup> Other variants can be found in the electronic catalog on our website ([www.siteco.com](http://www.siteco.com)).

\* Manually adjustable before installation via DIP switch.

# Monsun<sup>®</sup> 22

## The future-safe damp-proof luminaire.

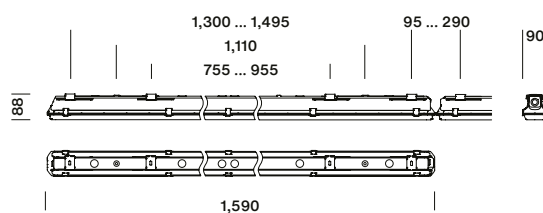
- Reliable, robust and with upgradeable intelligence
- Equipped for harsh environments and use in exposed outdoor areas thanks to IP66 protection rating
- With upgradeable sensor technology, the control can be flexibly adapted for use in industry and parking garages
- Excellent glare control for industrial and manual activities (UGR up to < 22)



### Technical product information

<b>Colour temperature</b>	4,000 K
<b>Rated luminous flux</b>	3,730 lm, 6,000 lm, 3,850 – 8,200 lm*
<b>Luminous efficacy</b>	146 lm / W, 147 lm / W, 148 lm / W
<b>Colour rendering index</b>	CRI > 80
<b>Rated input power</b>	26 W, 41 W, 56 W
<b>Beam angle</b>	wide distribution
<b>Control</b>	ON / OFF or DALI
<b>Protection rating</b>	IP66
<b>Protection class</b>	I
<b>Protection symbol</b>	D
<b>Impact resistance</b>	IK04
<b>Temperature range</b>	–25 ... +35° C
<b>Rated service life</b>	50,000 h (L80 / B50)
<b>Mounting location</b>	wall, ceiling

\* Manually adjustable before installation via DIP switch.



Monsun <sup>®</sup> 22 – Luminaires		4,000 K
3,730 lm	ON / OFF	51FB107P430J
3,820 lm	DALI	51FB10DP430B
6,000 lm	ON / OFF	51FB107P460B
6,080 lm	DALI	51FB10DP460B
3,850 – 8,200 lm	ON / OFF	51FB10MP480B

### Monsun<sup>®</sup> 22 – Accessories

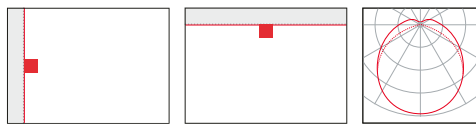
Double cable infeed, for cables Ø 8 ... 12 mm		58FV00D
Link chain, V2A	run. m.	5LY9002
Link chain, steel, galvanised	run. m.	5LY9001
Quick-release link, V2A	1 pc.	5LY9004

Including ceiling mounting brackets and suspension bracket made of V2A; ceiling surface-mounting without additional luminaire-specific mounting accessories; for other mounting types: please order mounting accessories separately. For chain suspension: please order link chain separately. Additional accessories can be found in the electronic catalog on our website ([www.siteco.com](http://www.siteco.com)) (accessories for wall mounting, for mounting on Licross<sup>®</sup> mounting rail, for mounting on pipes, for increased theft protection; through-wiring kits, air-permeable membrane, cable glands).

# Monsun<sup>®</sup> 31

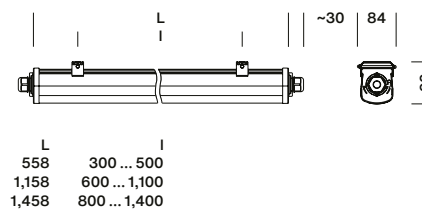
## The practical damp-proof luminaire with clever features.

- Flexibly positionable mounting clips for easy installation using existing mounting points
- Low installation complexity thanks to through-wiring to the next luminaire and tool-free electrical connection system
- Robust housing, economical operation and long system life of up to 50,000 h
- Optimized, highly efficient LED system



### Technical product information

<b>Colour temperature</b>	4,000 K
<b>Rated luminous flux</b>	2,300 lm, 3,000 lm, 3,800 lm, 5,100 lm, 6,700 lm
<b>Luminous efficacy</b>	121 lm / W, 134 lm / W, 136 lm / W
<b>Colour rendering index</b>	CRI > 80
<b>Rated input power</b>	19 W, 22 W, 28 W, 38 W, 50 W
<b>Beam angle</b>	diffuse distribution
<b>Control</b>	ON / OFF or DALI
<b>Protection rating</b>	IP66
<b>Protection class</b>	II
<b>Protection symbol</b>	D
<b>Impact resistance</b>	IK08
<b>Temperature range</b>	-20 ... +40° C (emergency light element: 0 ... +40° C)
<b>Rated service life</b>	50,000 h (L80 / B50)
<b>Mounting location</b>	wall, ceiling



Monsun <sup>®</sup> 31 - Luminaires		4,000 K	
<b>L = 558 mm</b>	2,300 lm	ON / OFF	51FA207D420B
		DALI	51FA20DD420B
<b>L = 1,158 mm</b>	3,000 lm	ON / OFF	51FA207K430B
		DALI	51FA20DK430B
	5,100 lm	ON / OFF	51FA207K450B
		DALI	51FA20DK450B
<b>L = 1,458 mm</b>	3,800 lm	ON / OFF	51FA207P430B
		DALI	51FA20DP430B
	6,700 lm	ON / OFF	51FA207P460B
		DALI	51FA20DP460B

Monsun <sup>®</sup> 31 - Emergency light element 3h		4,000 K	
<b>L = 297 mm</b>	450 lm	ON / OFF	58FA207A403B3G

### Monsun<sup>®</sup> 31 - Accessories

Link chain, V2A	run. m.	5LY9002
Link chain, steel, galvanised	run. m.	5LY9001
Quick-release link, V2A	1 pc.	5LY9004

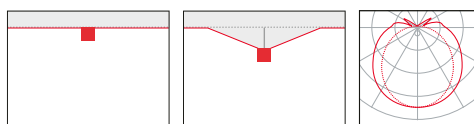
Luminaire including ceiling mounting brackets and suspension brackets made of V2A; ceiling mounting without additional luminaire-specific mounting accessories; for chain suspension: please order link chain separately.



# Monsun<sup>®</sup> 41

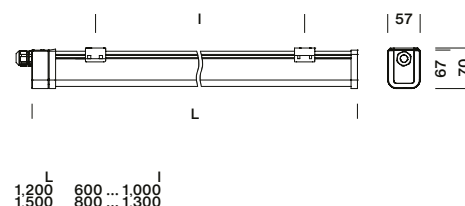
## The straightforward, robust damp-proof luminaire.

- Flexibly positionable mounting clips for easy installation using existing mounting points
- Low installation complexity thanks to daisy chain wiring to the next luminaire
- Robust housing for demanding environments



### Technical product information

<b>Colour temperature</b>	4,000 K
<b>Rated luminous flux</b>	2,000 lm, 3,400 lm, 4,000 lm, 6,000 lm
<b>Luminous efficacy</b>	up to 120 lm / W
<b>Colour rendering index</b>	CRI > 80
<b>Rated input power</b>	17 W, 28 W, 33 W, 50 W
<b>Beam angle</b>	extreme wide distribution
<b>Control</b>	ON / OFF
<b>Protection rating</b>	IP65
<b>Protection class</b>	I
<b>Impact resistance</b>	IK08
<b>Temperature range</b>	-20 ... +40° C
<b>Rated service life</b>	50,000 h (L70 / B50)



### Monsun<sup>®</sup> 41 - Luminaires

**4,000 K**

Length (L)	Rated luminous flux	Control	Part number
<b>L = 1,200 mm</b>	2,000 lm	ON / OFF	0LS2297BL0840
	4,000 lm	ON / OFF	0LS2297BH0840
<b>L = 1,500 mm</b>	3,400 lm	ON / OFF	0LS2297CL0840
	6,000 lm	ON / OFF	0LS2297CH0840

### Monsun<sup>®</sup> 41 - Accessories

Accessories	Quantity	Part number
Double cable infeed, for cables Ø 8...12 mm	1 pc.	0LS22901
Link chain, steel, galvanised	run. m.	5LY9001

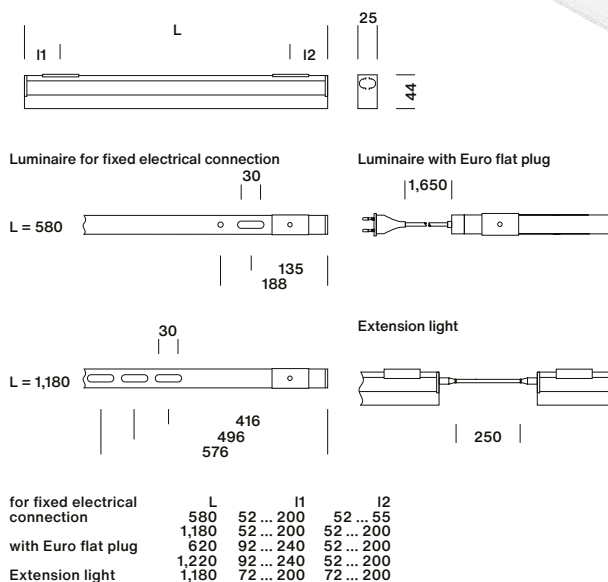
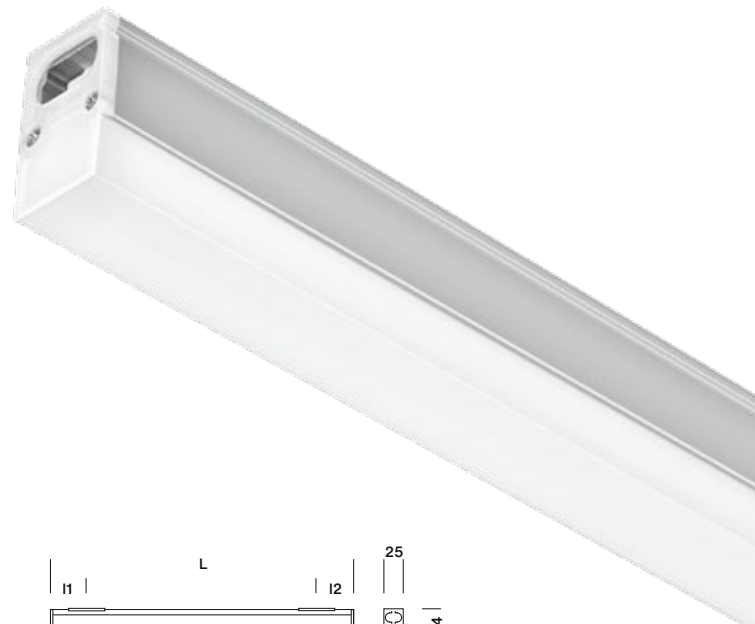
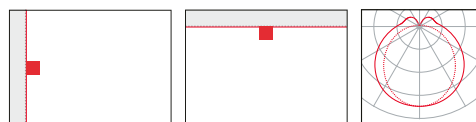
Luminaire including ceiling mounting brackets and suspension brackets made of V2A; ceiling mounting without additional luminaire-specific mounting accessories; for chain suspension: please order link chain separately; daisy chain wiring via optional twin cable gland possible.



# Batten 41

## A light line solution for all areas of life.

- Universal LED batten luminaire for single configuration or for uninterrupted continuous light lines without dark spots up to 15 meters
- Compact luminaire profile (25 × 44 mm) also suitable for confined installation conditions
- Optional use with a fixed connection or flat Euro plug and integrated ON / OFF switch



### Technical product information

<b>Colour temperature</b>	3,000 K, 4,000 K
<b>Rated luminous flux</b>	930 lm, 980 lm, 1,800 lm, 1,850 lm
<b>Luminous efficacy</b>	up to 103 lm / W
<b>Colour rendering index</b>	CRI > 80
<b>Rated input power</b>	10 W, 18 W
<b>Beam angle</b>	extreme wide distribution
<b>Control</b>	ON / OFF
<b>Protection rating</b>	IP20
<b>Protection class</b>	II
<b>Temperature range</b>	-20 ... +40° C
<b>Rated service life</b>	35,000 h (L70 / B50)
<b>Mounting location</b>	wall, ceiling

### Batten 41

				3,000 K	4,000 K
<b>With clamp for fixed connection</b>	L = 580 mm	930 lm	ON / OFF	0LJ211710830F	
	L = 1,180 mm	1,800 lm	ON / OFF	0LJ211718830F	
	L = 580 mm	980 lm	ON / OFF		0LJ211710840F
	L = 1,180 mm	1,850 lm	ON / OFF		0LJ211718840F
<b>With connection cable with Euro flat plug</b>	L = 620 mm	930 lm	ON / OFF	0LJ211710830N	
	L = 1,220 mm	1,800 lm	ON / OFF	0LJ211718830N	
	L = 620 mm	980 lm	ON / OFF		0LJ211710840N
	L = 1,220 mm	1,850 lm	ON / OFF		0LJ211718840N
<b>Extension light with system connector for continuous row mounting</b>	L = 1,180 mm	1,800 lm	ON / OFF	0LJ211718830E	
	L = 1,180 mm	1,850 lm	ON / OFF		0LJ211718840E

Luminaire including mounting clips; each continuous row requires one luminaire with Euro flat plug or one luminaire for fixed electrical connection and the required number of extension lights; extension lights with system connector for end-to-end luminaire mounting or with 250 mm spacing between luminaires; max. 13 luminaires are permitted per continuous row.

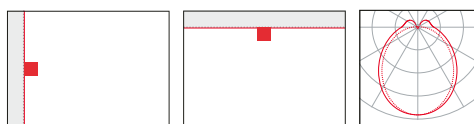


# Powerbrik® & Powerbrik® Slim

## Compact and robust solution for functional lighting.

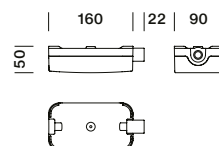
- Compact, robust luminaire for demanding ambient conditions
- Housing and cover made of impact-resistant PC (up to IK09)
- Two sizes with simple mounting and connection concept
- High mounting and operational safety standard thanks to encapsulated LED and ECG unit

### Powerbrik®



### Technical product information

<b>Colour temperature</b>	4,000 K
<b>Rated luminous flux</b>	900 lm
<b>Luminous efficacy</b>	95 lm / W
<b>Colour rendering index</b>	CRI > 80
<b>Rated input power</b>	9.5 W
<b>Beam angle</b>	wide distribution
<b>Control</b>	ON / OFF
<b>Protection rating</b>	IP65
<b>Protection class</b>	II
<b>Impact resistance</b>	IK09
<b>Temperature range</b>	-20 ... +40° C
<b>Rated service life</b>	50,000 h (L70 / B50)
<b>Mounting location</b>	wall, ceiling



<b>Powerbrik®</b>	<b>4,000 K</b>
900 lm	ON / OFF
0LS5297L10840	

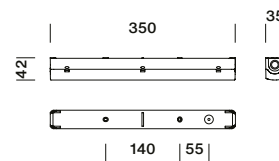


**Powerbrik® Slim**



**Technical product information**

<b>Colour temperature</b>	4,000 K
<b>Rated luminous flux</b>	900 lm
<b>Luminous efficacy</b>	95 lm / W
<b>Colour rendering index</b>	CRI > 80
<b>Rated input power</b>	9.5 W
<b>Beam angle</b>	wide distribution
<b>Control</b>	ON / OFF
<b>Protection rating</b>	IP65
<b>Protection class</b>	II
<b>Impact resistance</b>	IK05
<b>Temperature range</b>	-20 ... +40° C
<b>Rated service life</b>	50,000 h (L70 / B50)
<b>Mounting location</b>	wall, ceiling



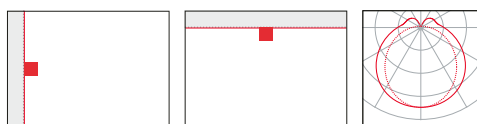
<b>Powerbrik® Slim</b>		<b>4,000 K</b>
900 lm	ON / OFF	0LS5297L10840S



# Ecopack® 40

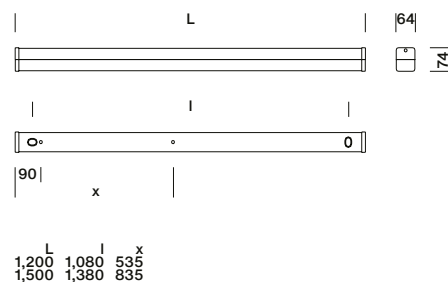
## The high-lumen linear luminaire for general lighting.

- Designed for quick installation and uncomplicated replacement of conventional solutions
- Flexible thanks to two lumen packages and two light colours, suitable for ceiling and wall mounting
- Anodized aluminum housing with opal diffuser for high-quality appearance



### Technical product information

<b>Colour temperature</b>	3,000 K, 4,000 K
<b>Rated luminous flux</b>	2,000 lm, 4,000 lm, 5,000 lm
<b>Luminous efficacy</b>	up to 111 lm / W
<b>Colour rendering index</b>	CRI > 80
<b>Rated input power</b>	18 W, 36 W, 46 W
<b>Beam angle</b>	extreme wide distribution
<b>Control</b>	ON / OFF
<b>Protection rating</b>	IP20
<b>Protection class</b>	I
<b>Temperature range</b>	-20 ... +40° C
<b>Rated service life</b>	50,000 h (L70 / B50)
<b>Mounting location</b>	wall, ceiling



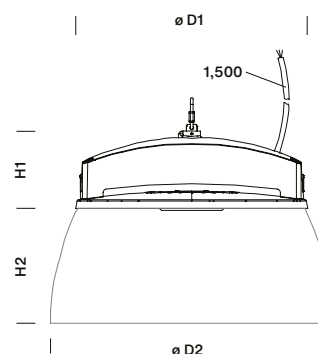
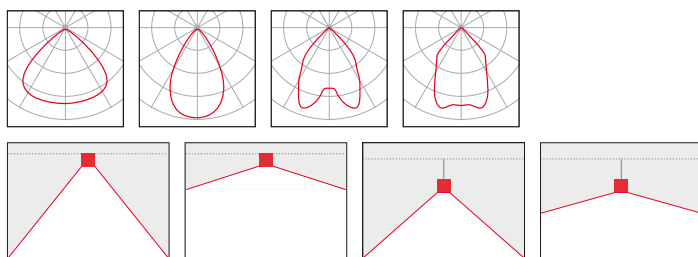
Ecopack® 40			3,000 K	4,000 K
<b>L = 1,200 mm</b>	2,000 lm	ON / OFF	0LJ311715830	0LJ311715840
	4,000 lm	ON / OFF	0LJ311730830	0LJ311730840
<b>L = 1,500 mm</b>	5,000 lm	ON / OFF		0LJ311738840



# Highbay 31

## The universal talent: Reliable, efficient & with intelligent control

- Long life (50,000 h / L85) and use at elevated ambient temperatures up to 45°C thanks to excellent thermal management for LED and driver
- Accessory reflectors made of aluminum and PC to optimize glare control
- Efficient light control and good visual comfort in narrow and wide beam versions thanks to lens optics made of robust, UV-stabilised PC
- Suitable for demanding ambient conditions (IP65 / IK08) and for the food industry (IFS)



	D1	H1	D2	H2
HB 31-S	339	124	410	170
HB 31-L	404	138	570	250

### Technical product information

Colour temperature	4,000 K
Rated luminous flux	14,000 lm, 20,000 lm, 28,000 lm
Luminous efficacy	150 lm / W
Colour rendering index	CRI > 80
Rated input power	94 W, 134 W, 187 W
Beam angle	medium distribution / wide distribution
Control	ON / OFF or DALI
Protection rating	IP65
Protection class	I
Protection symbol	D
Impact resistance	IK08
Temperature range	-30 ... +45° C
Rated service life	50,000 h (L85 / B50)
Recommended mounting height	6 ... 18 m

### Highbay 31 - Accessories

		HB 31-S	HB 31-L
Ceiling bracket	1 pc.	59HC92001	59HC92002
Link chain, steel, galvanised	run. m.	5LY9001	5LY9001
System connector, 3 x 2,5 <sup>2</sup>	1 pc.	5NX30003	5NX30003
System connector, 5 x 2,5 <sup>2</sup>	1 pc.	5NX30005	5NX30005
Reflector prismatic structure, transparent	1 pc.	59HC91001	59HC91002
Reflector, aluminium	1 pc.	59HC91003	59HC91004

Luminaire incl. connection cable (l=2,000 mm) with free wire ends; luminaire incl. suspension eyelet and screw carabiner made of V2A; fastening to on-site ceiling eyelet without additional luminaire-specific mounting accessories; for other mounting types, please order mounting accessories separately. Please order photometric accessories separately.

### Highbay 31

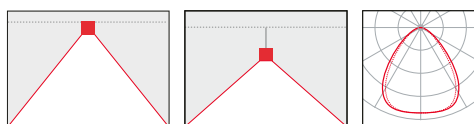
4,000 K

HB 31-S	medium distribution	14,000 lm	ON / OFF	51HC417A4FMA
			DALI	51HC41DA4FMA
	20,000 lm	ON / OFF	51HC417A4JMA	
		DALI	51HC41DA4JMA	
HB 31-L	wide distribution	14,000 lm	ON / OFF	51HC427A4FMA
			DALI	51HC42DA4FMA
	20,000 lm	ON / OFF	51HC427A4JMA	
		DALI	51HC42DA4JMA	
HB 31-L	medium distribution	28,000 lm	ON / OFF	51HC417A4MMA
			DALI	51HC41DA4MMA
	wide distribution	28,000 lm	ON / OFF	51HC427A4MMA
			DALI	51HC42DA4MMA

# Highbay 42

## New Highbay family with multi-lumen.

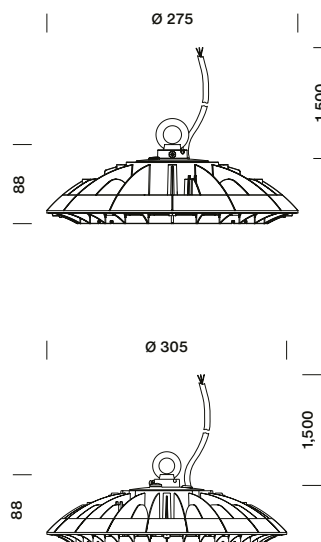
- Highly flexible even in different application areas thanks to multi-lumen version: Lumen output can be adjusted before installation via DIP switch
- Highly robust and therefore ideally suited for demanding environments: IP65 protection and IK06 impact resistance provide safety in almost any ambient condition
- Perfect solution for 1 : 1 refurbishment of old light points with maximum CO<sub>2</sub> and energy savings: Conventional 250 W luminaires or 400 W HQI lamps can be replaced with minimal installation and mounting complexity



### Technical product information

<b>Colour temperature</b>	4,000 K
<b>Rated luminous flux</b>	12,800 lm, 19,200 lm, 10,000 – 28,000 lm*
<b>Luminous efficacy</b>	up to 160 lm / W
<b>Colour rendering index</b>	CRI > 80
<b>Rated input power</b>	80 W, 120 W, 175 W
<b>Beam angle</b>	wide distribution
<b>Control</b>	ON / OFF
<b>Protection rating</b>	IP65
<b>Protection class</b>	I
<b>Protection symbol</b>	D
<b>Impact resistance</b>	IK08
<b>Temperature range</b>	-20 ... +40° C
<b>Rated service life</b>	50,000 h (L80 / B50)
<b>Recommended mounting height</b>	5 ... 15 m

\* Manually adjustable before installation via DIP switch.



### Highbay 42

4,000 K

<b>D = 275 mm</b>	12,800 lm	ON / OFF	51HP327A4FMA
	19,200 lm	ON / OFF	51HP327A4HMA
<b>D = 305 mm</b>	10,000 – 28,000 lm*	ON / OFF	51HP32MB4MMA

\* Manually adjustable before installation via DIP switch.



# Streetlight SL 40

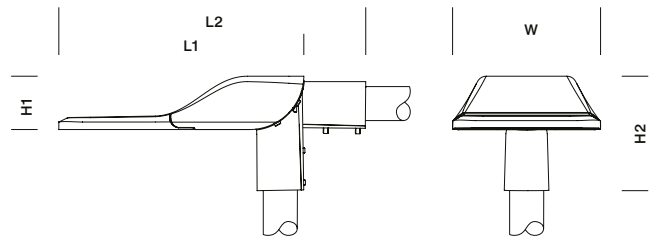
## Efficient and durable – the practical solution for cities and towns.

- Three sizes, a standard light distribution and programmable lumen packages for appropriate flexibility
- Designed for efficiency in all areas: Uncomplicated assembly and installation, cost-effective operation, uncomplicated storage
- Preset AstroDIM dimming profile (50 % between ca. 10:30 pm and 4:30 am) can be manually easily activated during commissioning



### Technical product information

<b>Colour temperature</b>	3,000 K / 4,000 K
<b>Rated luminous flux</b>	1,900 lm up to 20,000 lm
<b>Luminous efficacy</b>	up to 136 lm / W
<b>Colour rendering index</b>	> 70
<b>Rated input power</b>	17 W / 32 W / 56 W / 89 W / 147 W
<b>Beam angle</b>	asymmetric wide distribution (ST0.8a)
<b>Control</b>	ECG Plus (with time-dependent luminous flux control)
<b>Protection rating</b>	IP66
<b>Protection class</b>	II
<b>Temperature range</b>	-30 ... +50° C
<b>Rated service life</b>	100,000 h (L95 / B10) at 25° C
<b>Mounting location</b>	on mast, side-entry or post-top



	L1	L2	W	H1	H2	S
micro	429	554	300	108	232	0.040 m <sup>2</sup>
mini	495	620	300	108	232	0.042 m <sup>2</sup>
midi	627	752	300	108	232	0.045 m <sup>2</sup>

### Streetlight SL 40

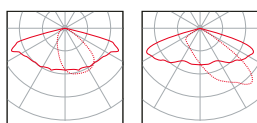
### Light distribution

Size	Beam Angle	Colour Temperature	Luminous Flux	Part Number
micro	ST0.8a	3,000 K	1,900 lm	5XD1A3B491A
		4,000 K	2,000 lm	5XD1A4B491A
		3,000 K	3,800 lm	5XD1A3B492A
		4,000 K	4,000 lm	5XD1A4B492A
		3,000 K	6,900 lm	5XD1A3B493A
		4,000 K	7,300 lm	5XD1A4B493A
mini	ST0.8a	3,000 K	11,400 lm	5XD2A3B493A
		4,000 K	12,000 lm	5XD2A4B493A
midi	ST0.8a	3,000 K	19,000 lm	5XD3A3B493A
		4,000 K	20,000 lm	5XD3A4B493A

# Streetlight SL 31

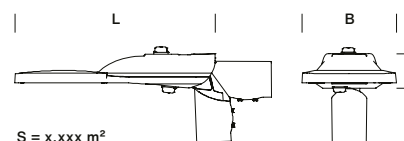
## Simply practical light – robust, cost-efficient and future-proof.

- Long service life of more than 100,000 h, thanks to the sustainable product concept and durable components
- Low operating costs due to the highest energy efficiency with a light output up to 150 lm / W
- Smart City Ready: Future-proof thanks to optional Zhaga or NEMA interfaces for state-of-the-art lighting control, wireless connectivity and versatile sensor technology
- Family concept: Four sizes for optimal planning flexibility and demand-based configuration
- Easy mounting thanks to the provided universal mast flange for spigot size 60 / 76 mm with tilt adjustment (post-top: 0° / 5° / 10° / 15°, side-entry: 0° / -5° / -10° / -15° / -20°) and separate accessory for 42 mm brackets



### Technical product information

<b>Colour temperature</b>	3,000 K, 4,000 K
<b>Rated luminous flux</b>	4,900 lm, 5,250 lm, 8,400 lm, 9,000 lm, 16,800 lm, 18,000 lm, 28,000 lm, 30,000 lm
<b>Luminous efficacy</b>	140 lm / W, 150 lm / W
<b>Colour rendering index</b>	CRI > 70
<b>Rated input power</b>	35 W, 60 W, 120 W, 200 W
<b>Beam angle</b>	asymmetric wide distribution (ST0.8a / ST1.0a)
<b>Control</b>	Plus, Plus Nema*, Smart Interface (Zhaga)*
<b>Protection rating</b>	IP66
<b>Protection class</b>	II
<b>Impact resistance</b>	IK08
<b>Temperature range</b>	-30 ... +50° C
<b>Rated service life</b>	100,000 h (L90)
<b>Recommended mounting height</b>	3 ... 12 m



S = x.xxx m<sup>2</sup>

	L	B	H	S
micro	448	220	87	0.045
mini	534	250	92	0.050
midi	610	285	94	0.055
maxi	630	328	99	0.060

\* Available as an option. Other variants can be found in the electronic catalog on our website ([www.siteco.com](http://www.siteco.com)).



**Streetlight SL 31** **Light distribution**

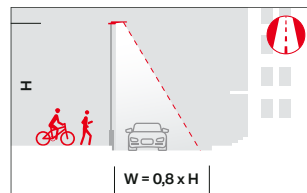
<b>micro</b>	ST0.8a	3,000 K	4,900 lm	5XF1C32D08DA
		4,000 K	5,250 lm	5XF1C42D08DA
	ST1.0a	3,000 K	4,900 lm	5XF1E32D08DA
		4,000 K	5,250 lm	5XF1E42D08DA
<b>mini</b>	ST0.8a	3,000 K	8,400 lm	5XF2C32D08HA
		4,000 K	9,000 lm	5XF2C42D08HA
	ST1.0a	3,000 K	8,400 lm	5XF2E32D08HA
		4,000 K	9,000 lm	5XF2E42D08HA
<b>midi</b>	ST0.8a	3,000 K	16,800 lm	5XF3C32D08MA
		4,000 K	18,000 lm	5XF3C42D08MA
	ST1.0a	3,000 K	16,800 lm	5XF3E32D08MA
		4,000 K	18,000 lm	5XF3E42D08MA
<b>maxi</b>	ST0.8a	3,000 K	28,000 lm	5XF4C32D08QA
		4,000 K	30,000 lm	5XF4C42D08QA
	ST1.0a	3,000 K	28,000 lm	5XF4E32D08QA
		4,000 K	30,000 lm	5XF4E42D08QA

- Mast flange for mast spigot diameter 76 mm and 60 mm included with the product
- Reducer for mast spigot diameter 42 mm please order separately

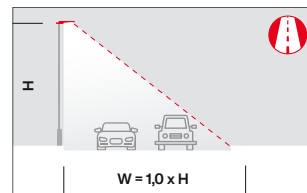
**Optional accessories**

Reducer, spigot size: 76 / 42 mm	5XC1008XR14
----------------------------------	-------------

**Light distributions**



**ST0.8a** – For narrow and normal roads, e.g. for collecting roads and residential roads



**ST1.0a** – For normal roads, e.g. expressways



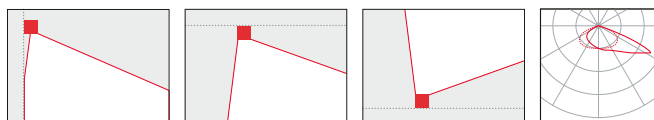
**Optionally** with Zhaga or NEMA interfaces for state-of-the-art lighting control, wireless connectivity and versatile sensor technology

**Example:** The motion sensor switches just one luminaire.

# SiCompact®

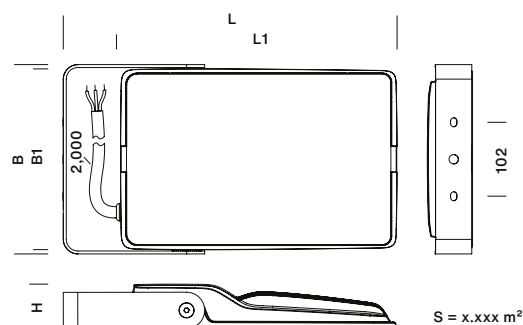
## Industrial style meets state-of-the-art technology.

- Simple, quick installation with mounting bracket and pre-mounted connection cable
- Efficient operation with up to 120 lm / W and asymmetric light distribution
- Highly flexible for all applications with three sizes and luminous flux between 4,000 and 23,800 lm
- Robust housing and ESD-protected LED module, dustproof and high tested vibration stability with 250,000 strikes



### Technical product information

<b>Colour temperature</b>	4,000 K
<b>Rated luminous flux</b>	4,000 lm, 7,700 lm, 15,200 lm, 23,800 lm
<b>Luminous efficacy</b>	114 lm / W, 117 lm / W, 118 lm / W, 119 lm / W
<b>Colour rendering index</b>	CRI > 70
<b>Rated input power</b>	35 W, 65 W, 130 W, 200 W
<b>Beam angle</b>	asymmetric distribution (PL32)
<b>Control</b>	ON / OFF
<b>Protection rating</b>	IP66
<b>Protection class</b>	I
<b>Impact resistance</b>	IK08
<b>Temperature range</b>	-30 ... +35° C
<b>Rated service life</b>	60,000 h (L70 / B50)
<b>Recommended mounting height</b>	from 2.5 to 10.0 m
<b>Mounting location</b>	wall, ceiling, floor, podium



	L	B	H	L1	B1	S
5XA756...	330	159	47	259	151	0.015
5XA757...	461	261	62	387	250	0.028
5XA758...	560	333	62	446	320	0.034

### SiCOMPACT®

4,000 K

	4,000 lm	ON / OFF	5XA7561A2K22
<b>micro</b>	4,000 lm	ON / OFF	5XA7561A2K22
<b>mini</b>	7,700 lm	ON / OFF	5XA7571B2K22
	15,200 lm	ON / OFF	5XA7571C2K22
<b>midi</b>	23,800 lm	ON / OFF	5XA7581D2K22

### SiCOMPACT® - Accessories

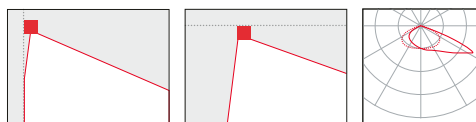
System connector, 3 × 2.5 <sup>2</sup>	1 pc.	5NX30003
System connector, 3 × 2.5 <sup>2</sup>	1 pc.	5NX30003

Luminaire incl. connection cable (l=2,000 mm) with free wire ends; crossbars for mounting floodlights on standard masts can be found in the electronic catalog on our website ([www.sireco.com](http://www.sireco.com)).

# SiCompact<sup>®</sup> maxi

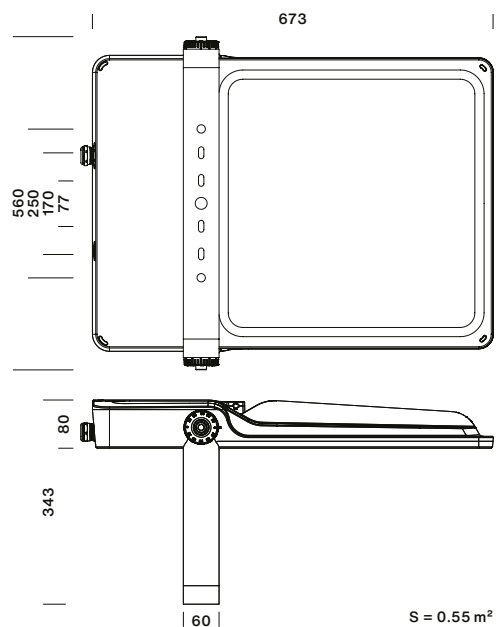
## The new high performer.

- Simple, quick installation thanks to a mounting bracket and connection inside the housing
- Efficient operation with up to 143 lm / W and asymmetric light distribution
- Future-proof with replaceable ECG
- Connection to control systems via DALI



### Technical product information

<b>Colour temperature</b>	3,000 K, 4,000 K
<b>Rated luminous flux</b>	65,000 lm, 70,000 lm
<b>Luminous efficacy</b>	133 lm / W, 143 lm / W
<b>Colour rendering index</b>	CRI > 70
<b>Rated input power</b>	490 W
<b>Beam angle</b>	asymmetric distribution (PL32)
<b>Control</b>	ON / OFF, DALI
<b>Protection rating</b>	IP66
<b>Protection class</b>	I
<b>Impact resistance</b>	IK08
<b>Temperature range</b>	-30 ... +35° C
<b>Rated service life</b>	100,000 h (L80 / B50)
<b>Recommended mounting height</b>	from 10 m
<b>Mounting location</b>	wall, ceiling



### SiCOMPACT<sup>®</sup>

<b>maxi 3.000 K</b>	65,000 lm	5XA7592E1K22
<b>maxi 4.000 K</b>	70,000 lm	5XA7592E2K22





Product: Apollon

## Contact.

### **Siteco GmbH**

Georg-Simon-Ohm-Str. 50  
83301 Traunreut, Germany  
Tel. +49 8669 330  
info@siteco.com

[siteco.com](https://www.siteco.com)

### **Technical support**

Tel. +49 8669 338 44  
technicalsupport@siteco.com