

sITeCO



Silica 21

Exactly your light.

The background features a gradient from dark gray at the top to light gray at the bottom. Overlaid on this are several patterns of white circles. In the top-left and bottom-left corners, there are clusters of circles that do not overlap. In the bottom-right corner, there is a dense grid of overlapping circles. The text 'Modularity. Connectivity.' is centered in the middle of the page in a red, sans-serif font.

Modularity. Connectivity.



Lighting design. **Silica 21**



Modularity

Connectivity
Lighting design

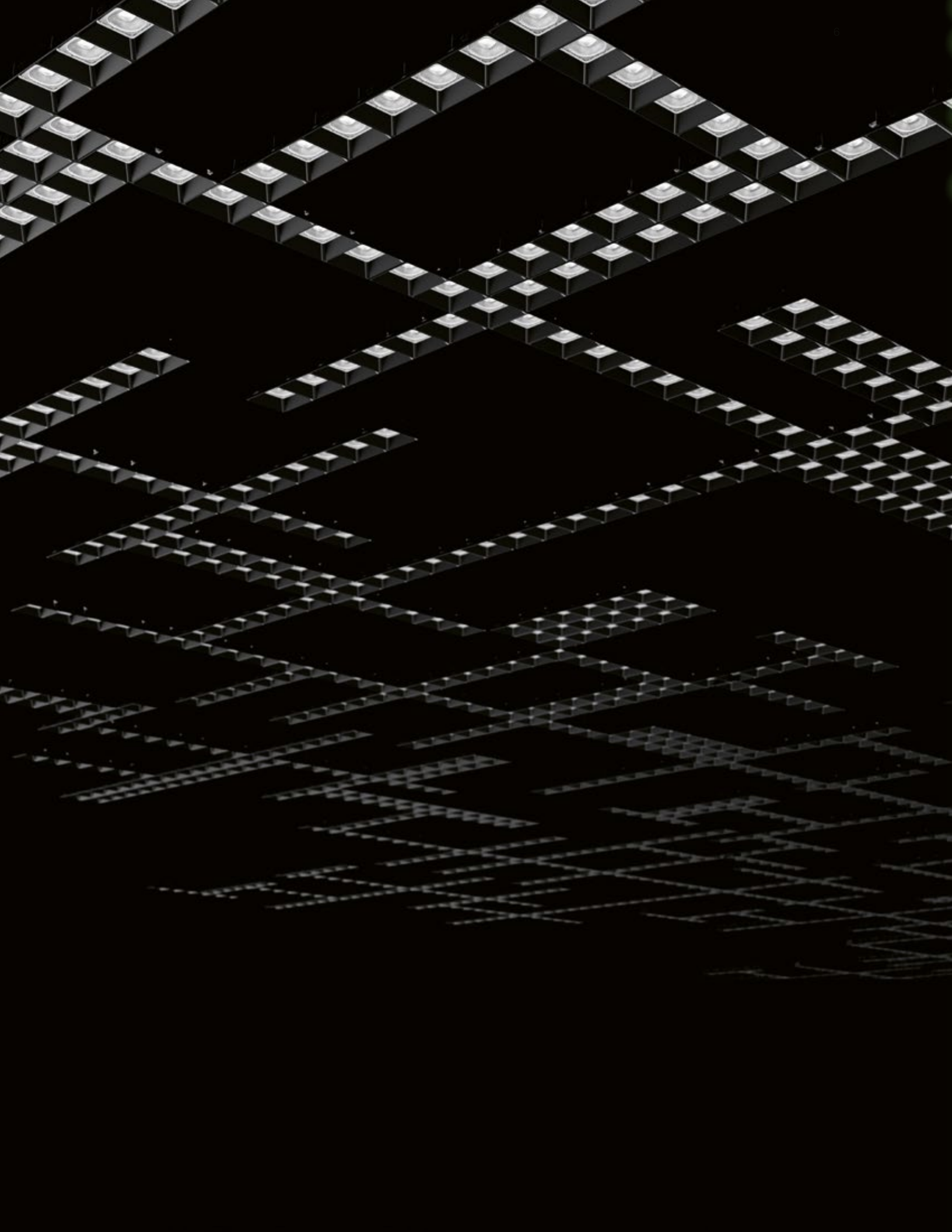


It's a sure fit.

You have the dimensions. We have the solution. Because the Silica family of luminaires is exceptionally variable. Its modular system opens up a world of possibilities. You can plan your project exactly as you envisage it – the Silica keeps pace without breaking a sweat.

Its uniform look takes many forms: Slim and linear. Or really compact. Square or asymmetrical.

All that's possible: With the Silica modules, you can scale and rescale as you like, then choose a compatible look for your needs. And decide with complete flexibility where you need sensors. Everything's in the modular system.

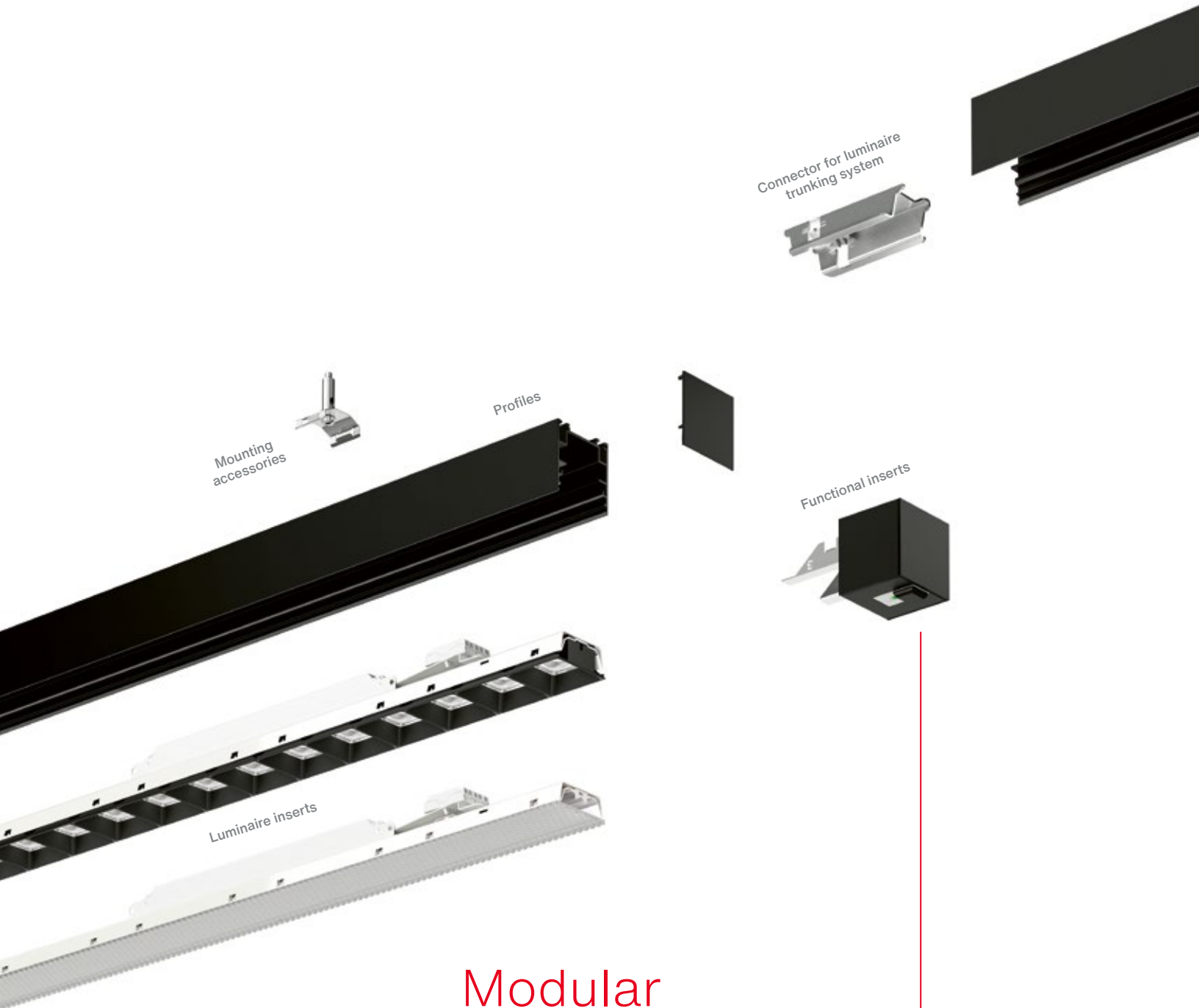


Modular system for exceptional durability

A scalable modular system for tailored project solutions.

Underlying this is a modular system that can be flexibly expanded in the basic dimension of 300mm x 50mm. This enables the Silica 21 to also meet special spatial requirements. Whether in the series portfolio featuring various lengths and looks or as an individual tailored solution – there's no limit to the design flexibility.

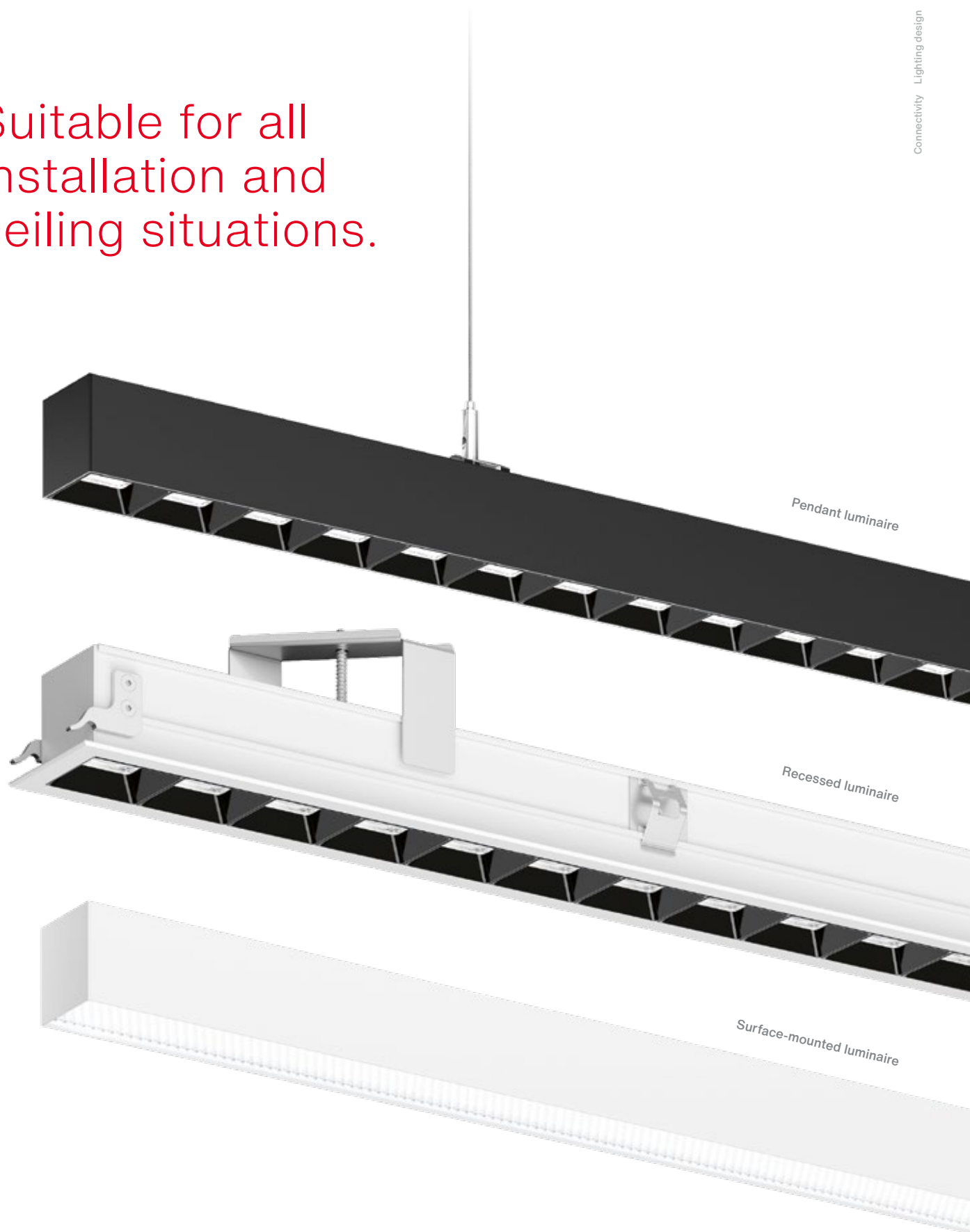




Modular system luminaires.

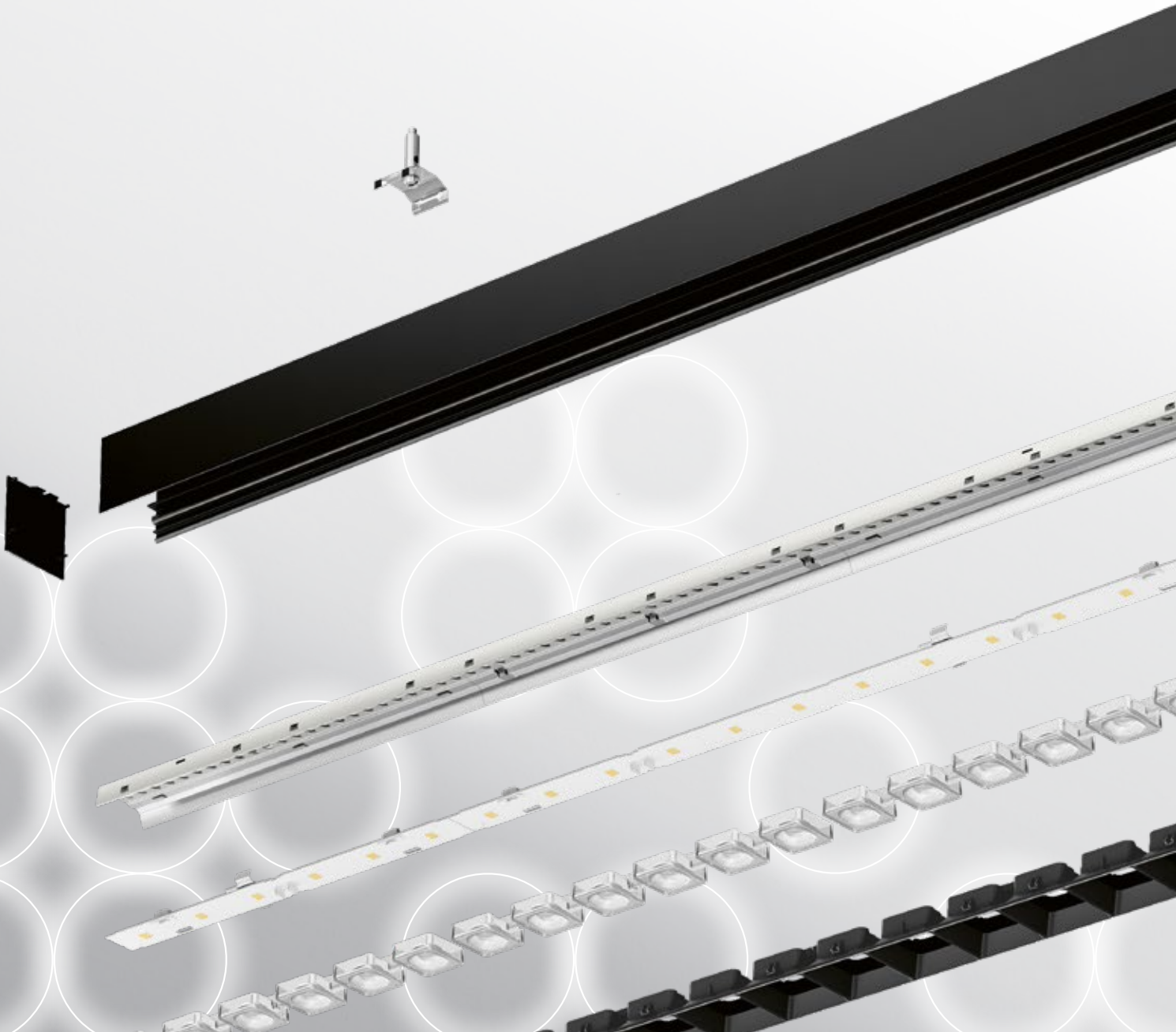
The removable end cap allows flexible scalable expansion with inserts for tailoring the length or using smart sensors.

Suitable for all
installation and
ceiling situations.



Future-proof
thanks to
gear tray
principle

Rigorous gear tray
principle for
interchangeable
components.



Separability of materials enables recycling





Modularity
Connectivity

Lighting design



It's the result that matters.

Full of ambiance or more neutral? Pointed or multifaceted? For each location, a different light is the perfect light. And many criteria are involved in that. Standards apply at workplaces. People in the room care about their visual comfort. And of course it should look good, too.

Jump in and design! Silica makes it all possible: You can vary and adapt light colors, luminous flux and light distribution in countless ways. This lets you turn your vision into reality, get rooms to work effectively – and contribute to people feeling comfortable all around the clock.

Fibonacci. The mathematics of nature.

It's a word that can give you an edge in a quiz show. And quality of life as well. But let's start from the beginning: Fibonacci was an Italian mathematician in the Middle Ages. He listed a sequence of numbers that has since been named after him. The sequence relates to the golden ratio – when visualized, it creates very harmonious images. The lens in the ELDACON® L look is also designed according to the Fibonacci principle: This gives the lens a special structure that mixes the light and provides particularly harmonious, uniform lighting.

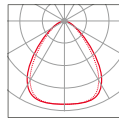
**A light that lets you work well and live well.
Thank you, Signore Fibonacci!**



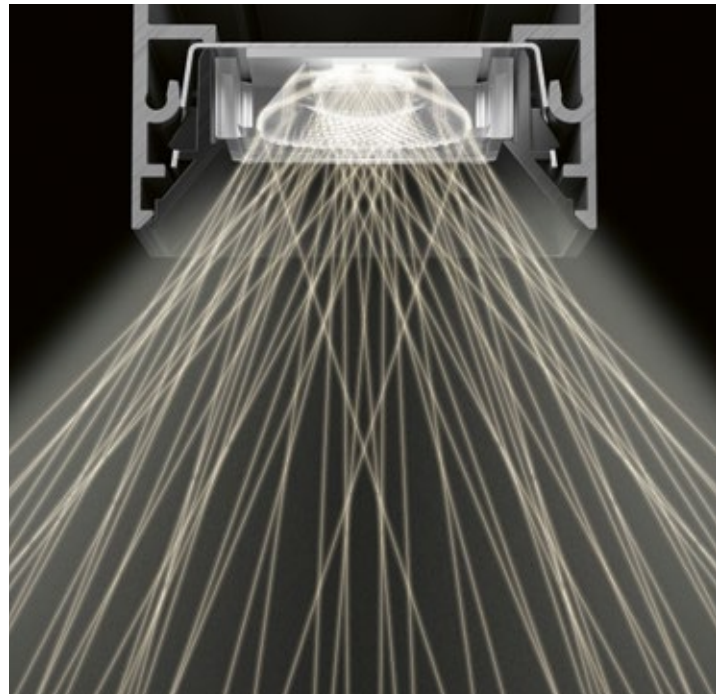
Silica 21 light distribution options

ELDACON[®] L

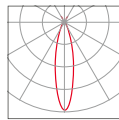
Wide distribution



- Especially suited for office applications
- $UGR \leq 19$ for standards-complying lighting of VDU workstations
- Reflector provides additional shielding against glare
- Fibonacci structure on the light-emitting side of the lens mixes the light, giving the lens a homogeneous visual appearance and providing uniform lighting
- High luminous flux and wide beam angle enable large luminaire spacings and, as a result, savings on luminaires

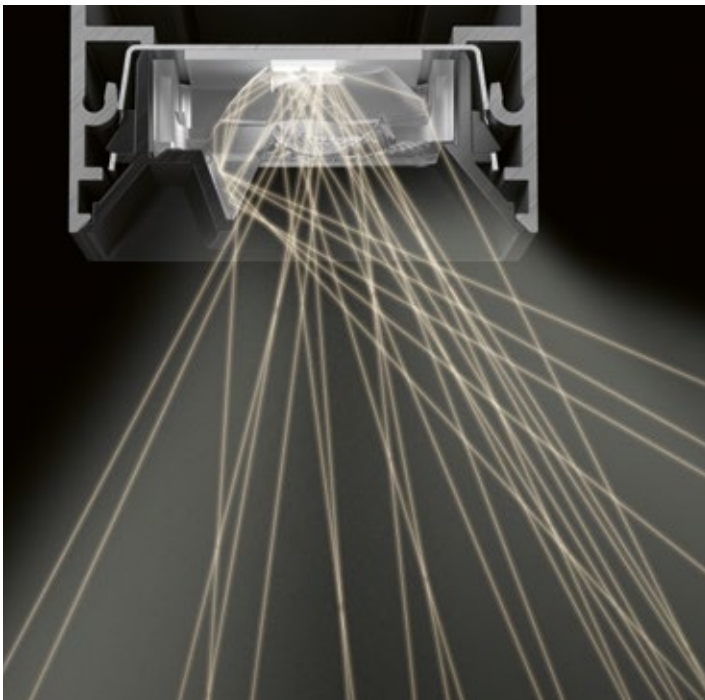
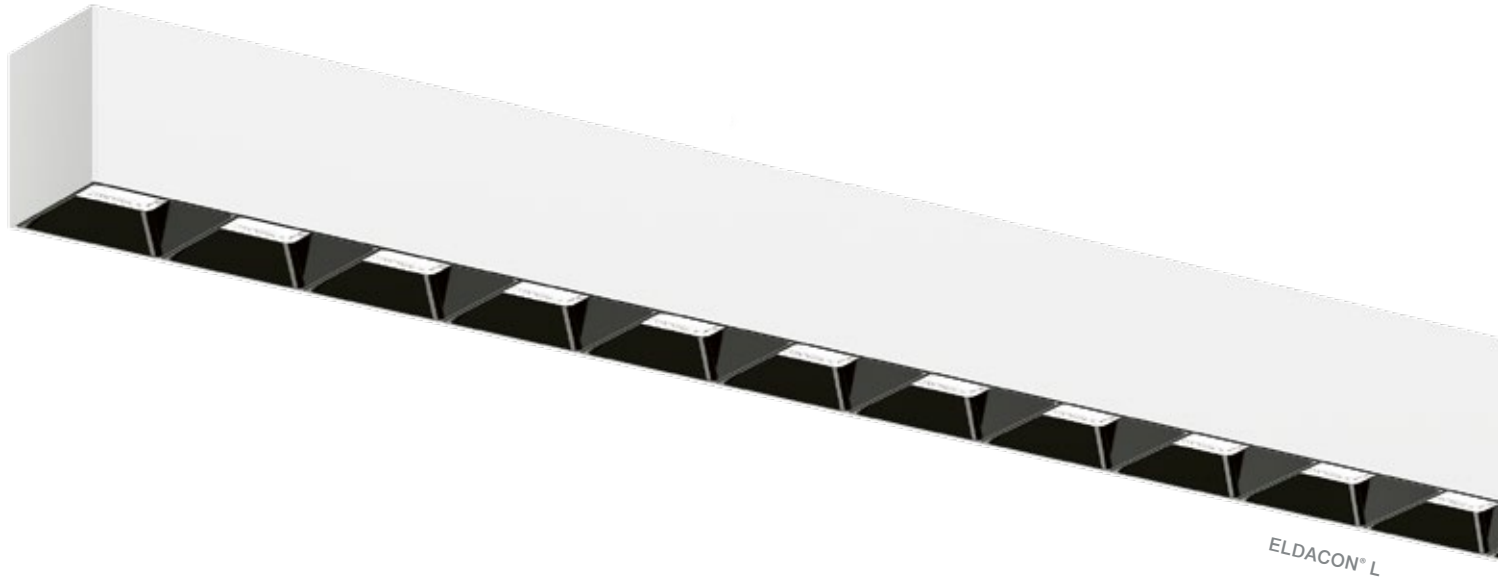
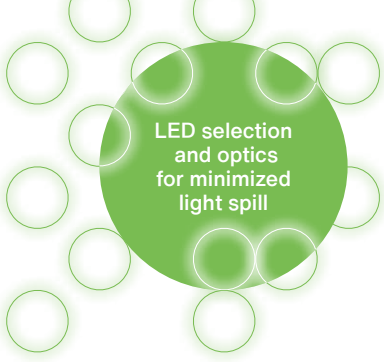


Narrow distribution

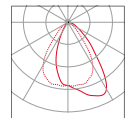


- Especially suitable for higher mounting heights, accent lighting and corridors
- Depending on the combination of reflector color and indirect component, standards-complying lighting for VDU workstations can be achieved while providing maximum glare control
- Ideal solution for very high UGR requirements as well as lighting of workplaces with computer monitors





Asymmetric distribution



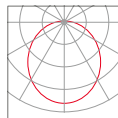
- Especially suited for wall and panel lighting
- Due to the lens shape offset in the reflector the wall or board can receive even, standards-complying lighting from the height of the luminaire to the floor
- The lens does not extend beyond the edge of the reflector

All light distribution curves can be combined with a lens to create partial indirect light for ceiling illumination
 → Improvement of UGR values and standards-complying lighting of workplaces with computer monitors

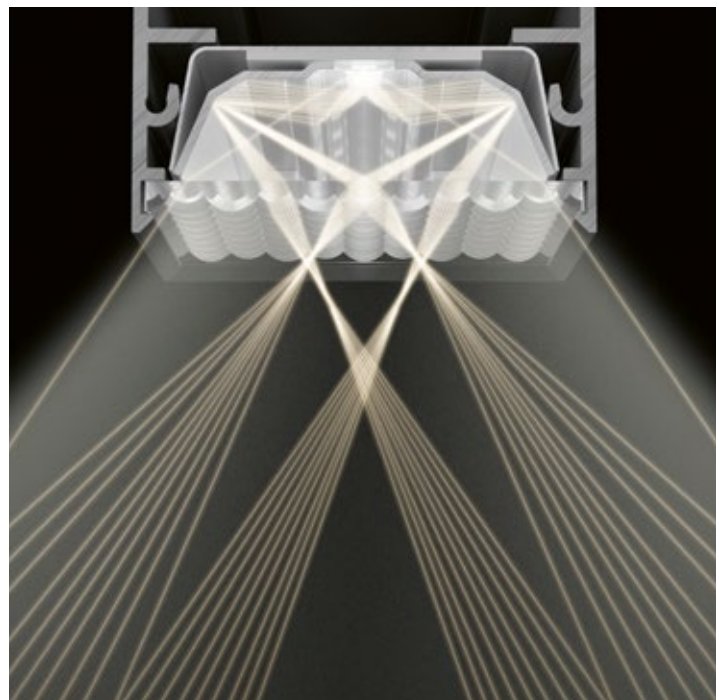
LED selection
and optics
for minimized
light spill

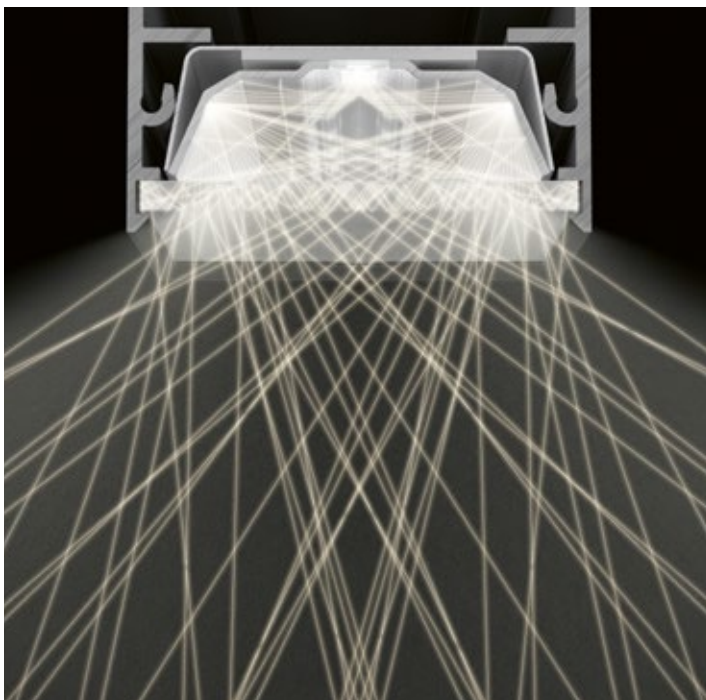
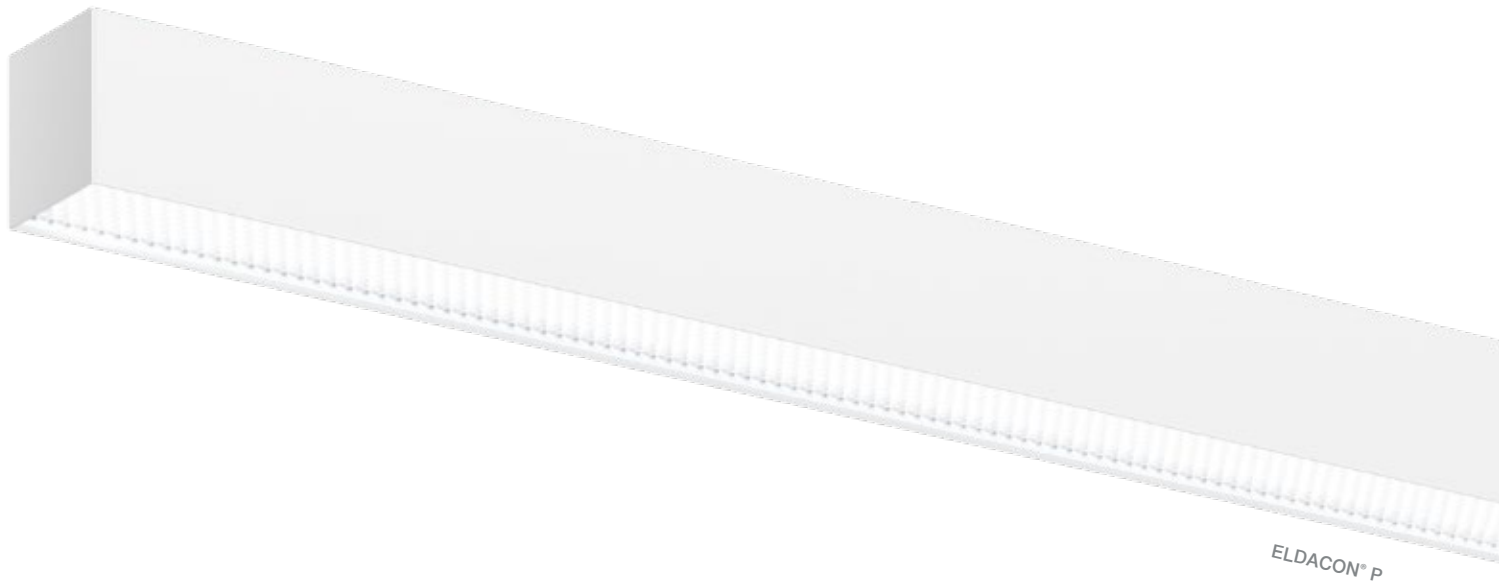
Silica 21 light distribution options ELDACON[®] P

Lens cover: Homogeneous luminance

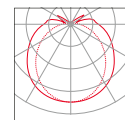


- Wide light distribution curve is generated through lens cover
- Homogeneous light-emitting surface provides simultaneous glare control ($UGR \leq 19$) and standards-complying lighting of VDU workstations





**Opal cover:
Homogeneous
luminance**



- Exceptionally wide light distribution curve is generated through opal diffuse cover plate
- Homogeneously illuminated cover panel distributing light at very flat angles
- Enables particularly large luminaire spacings and is suitable for providing lighting with $UGR \leq 25$ to very large areas

All light distribution curves can be combined with a lens to create partial indirect light for ceiling illumination
→ Improvement of UGR values and standards-complying lighting of workplaces with computer monitors



Modularity

Networking

Lighting design



Conversation champs.

Pretty darn smart: The Silica can communicate. At the end of each profile, a DALI-2 sensor can be installed or retrofitted, thus transforming Silica luminaires into sensor luminaires that you can easily network and control.

But there's more:

You can connect the Silica to other systems using additional analysis functions. SITECO Connect and open interface enable luminaires to communicate with building management or Outlook. This brings real advantages to daily office life: In the future, luminaires will help book shared desks, reserve rooms, assign cleaning services and create more efficient buildings.

Future Office.

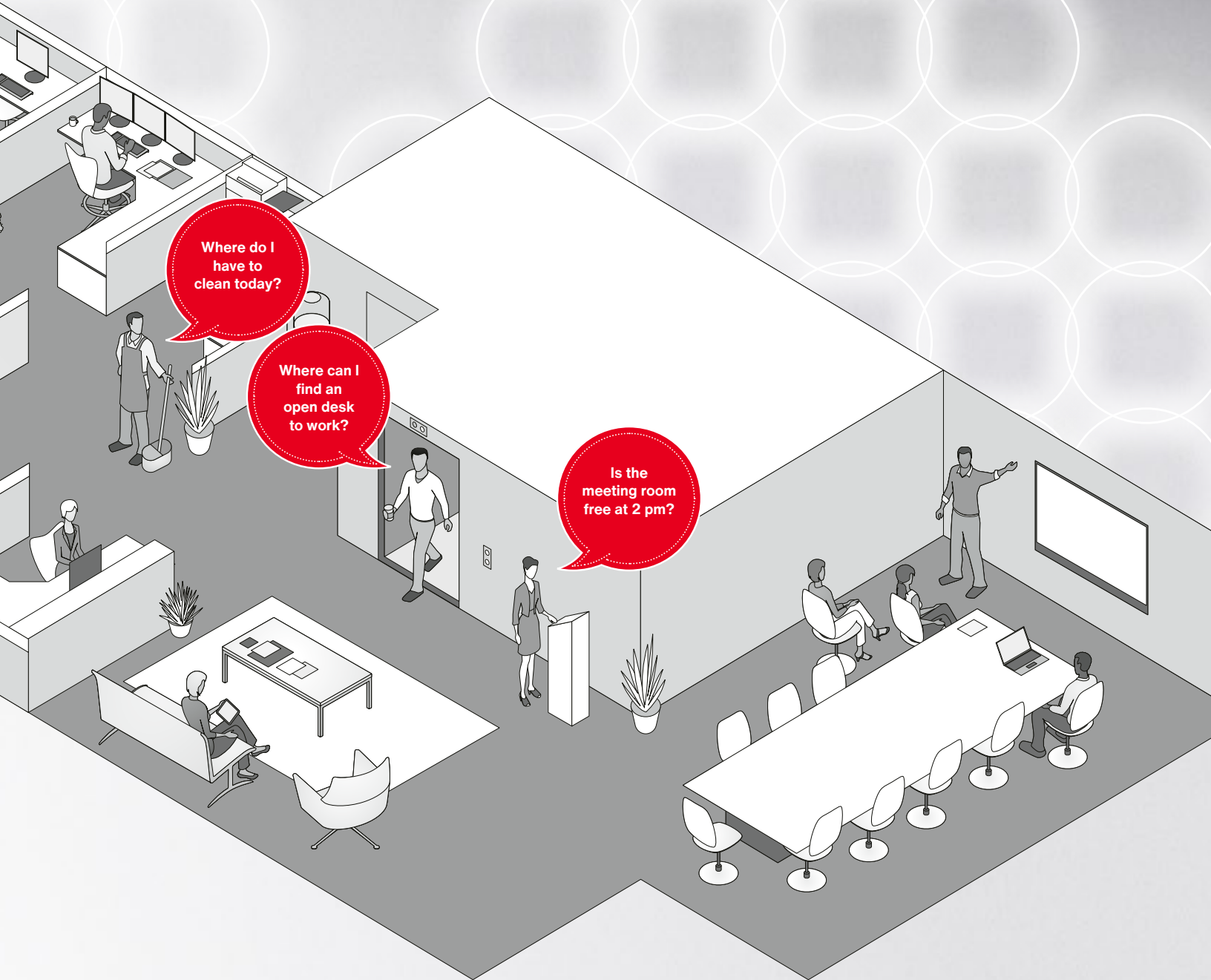
Digitalization

Our solutions including luminaires, sensors and apps enable you to collect data around rooms to intelligently manage space.



Our solutions let you intuitively use rooms by:


- Detecting workplace occupation to improve space utilization – gain a decisive advantage in times of flexible work models with shared desks
- Measurement of building efficiency for optimal and demand-oriented use of space
- Directly connecting to the customer's data system
- Collecting environmental data



Where do I have to clean today?

Where can I find an open desk to work?

Is the meeting room free at 2 pm?



Light only when it is needed: Optimized control with sensor technology enables sustainable lighting



Silica 21 in the Smart Office.

So you're ready today to meet the challenges of tomorrow's office.

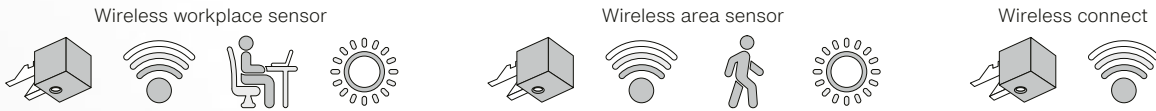
- Implementing various sensors supports flexible use
- Highly reliable detection and cost-effective implementation enables efficient use
- Modular design and open interfaces ensure a secure future
- Relux sensor planning and modular product concept streamlines planning
- Sensor technology seamlessly integrates into Silica 21's design

Available color variations:

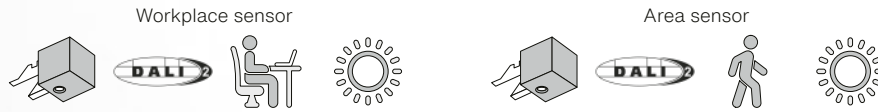


SITECO Connect Various sensors for different requirements

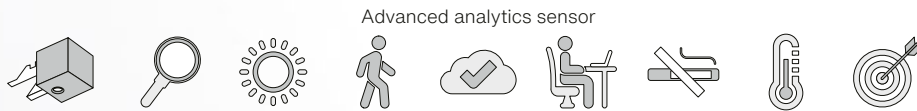
Wireless connectivity – wireless SITECO Connect



Wired connection – open DALI-2 interface



Room data collection – open interface

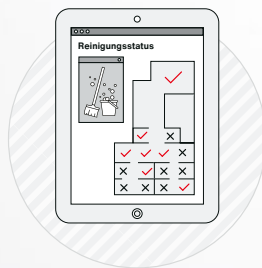


Room data collection with open interface.



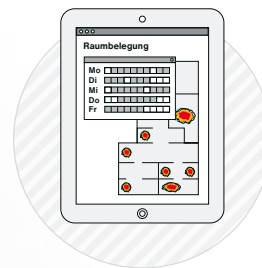
**SITECO
MATRIX sensor**

The SITECO MATRIX sensor can register and track people's movements without collecting personal data. Automatically compliant with data protection regulations.



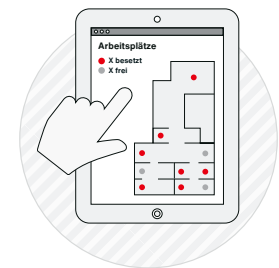
**Efficient deployment
of building service**

Service providers for cleaning or disinfecting workplaces are only deployed where they are really needed. Automatically compliant with data protection regulations.



**The ideal basis for
optimizing areas**

You can leverage occupancy data to systematically analyze and predict room usage and adapt the room concept to the usage.



**Information about
open desks to work**

Employees can use an app to reserve open desks to work. Automatically compliant with data protection regulations.

Silica 21 Series portfolio

Types,
data sheets,
Configuration –
all at a lance:
Silica 21



Silica 21 variations: single luminaires

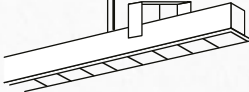
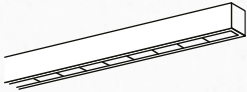
ELDACON® L (black, white)

ELDACON® P

Surface-mounted luminaire

Pendant luminaire

Recessed luminaire



Lengths in mm	1,200, 1,500, 3,000
Light distribution	UGR 19, wide, narrow, asymmetrical UGR 19, wide prismatic, extremely wide opal
Light colors	3,000K, 4,000K, TW (2,700K–6,500K), CRI > 80, > 90 on request
Control	DALI-2, DALI DT8



Reflectors available in black, white and silver.



Project: Joyn, Munich

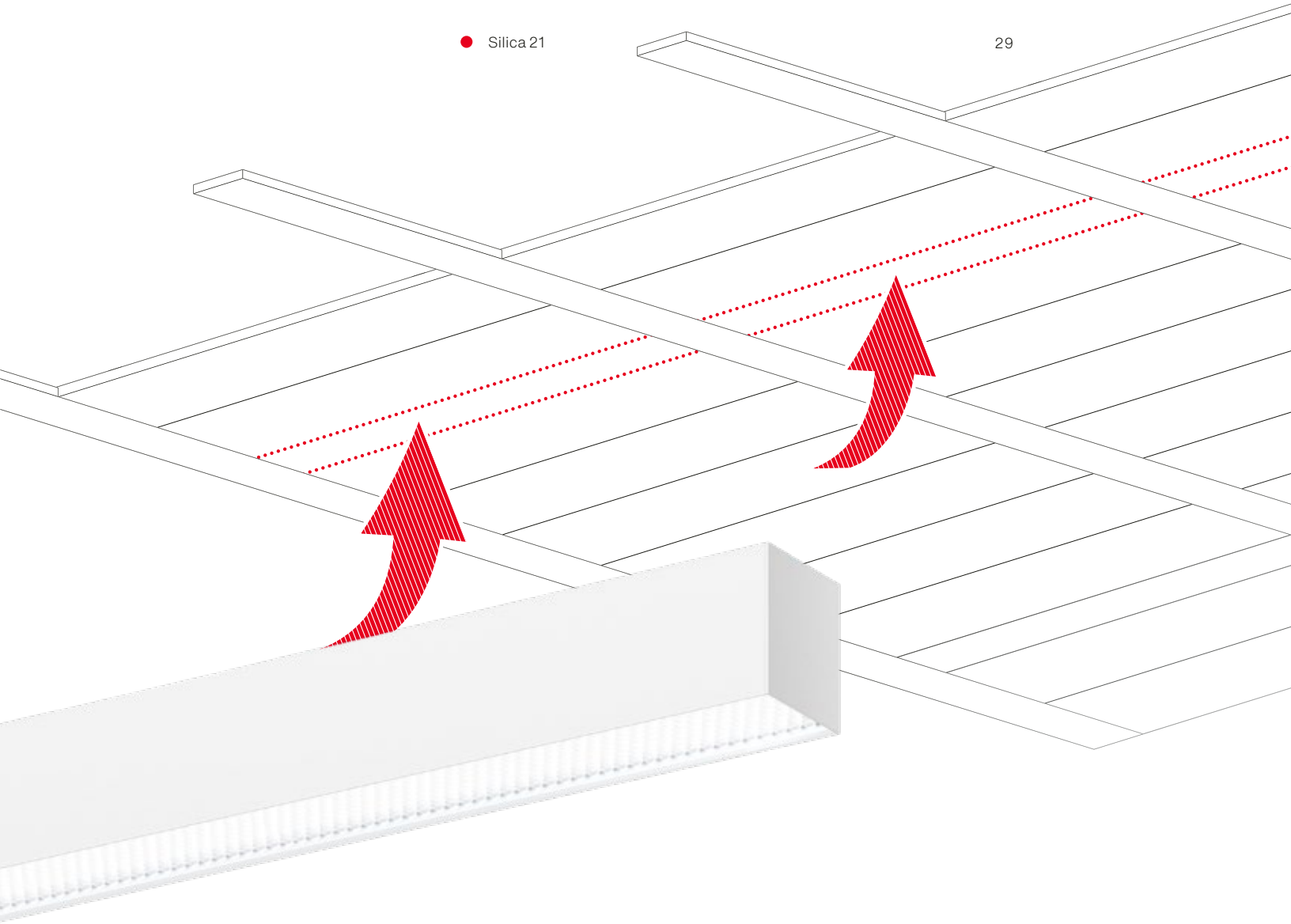
Product: Silica

Customization

Adapted to meet project-specific requirements.

We make the impossible possible. Where the options in the catalog end, the almost infinite range of customized options begins.

SITECO offers a broad spectrum of options for customized solutions thanks to its experienced team of designers and engineers. *Made in Germany* also means we provide additional flexibility and speed.



Effortlessly update lighting in your offices. We offer solutions for any ceiling system.

Are you wanting to refurbish your office lighting while continuing to use your existing ceiling systems? No problem. SITECO can draw on a wide range of ceiling luminaires in various sizes. And should something suitable not be available, our customization department will step in. In this way, SITECO can provide you with luminaires in fully individualized dimensions for any ceiling system.



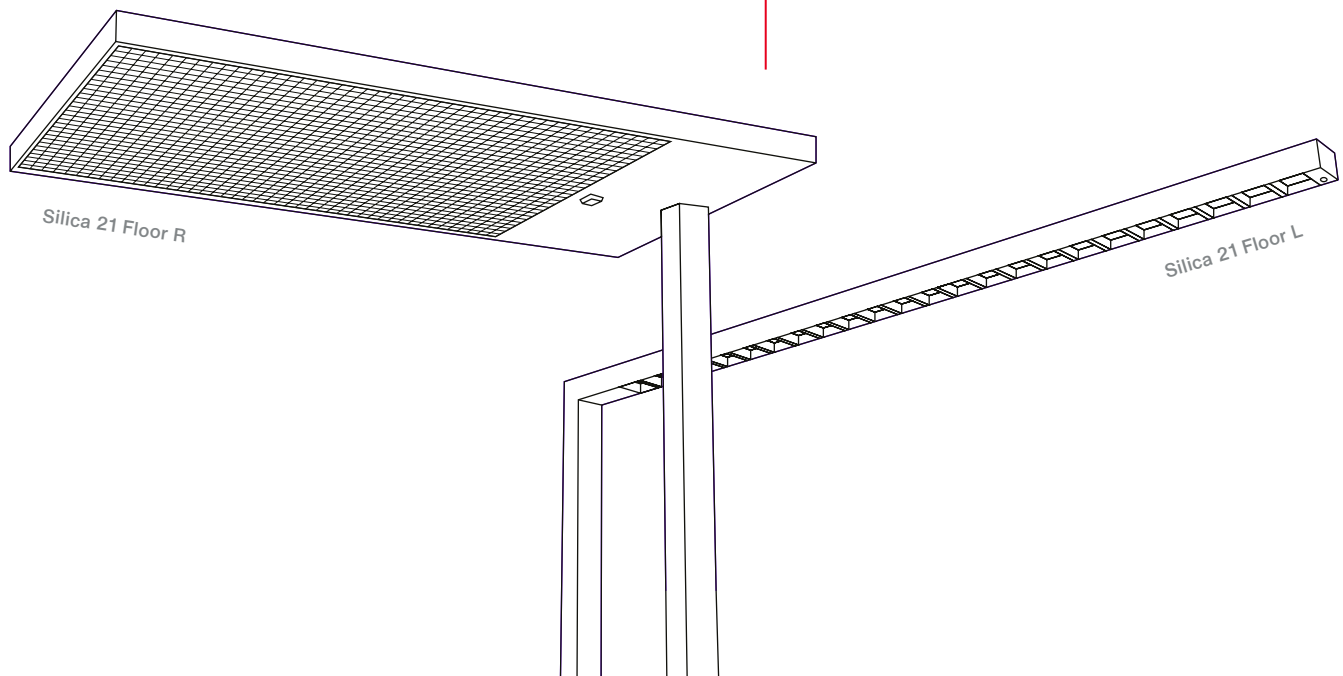
Silica 21 floor R

The classic, especially slim design of this compelling floorstanding luminaire offers wide-beam, indirect light for homogeneous ceiling illumination.

Silica 21 floor L

A linear, clear form distributes light uniformly across work surfaces, making it possible to work comfortably without glare.

- Uniform light distribution and optimum glare control ensure perfect working conditions – even for height-adjustable tables thanks to the appropriate light mounting height
- Optional tunable white function can be selected to enable HCL^{live} applications, which boost motivation and well-being
- Sustainable and future-proof thanks to modular construction: Interchangeable components make maintenance and retrofitting easy (e.g., swapping light colors)
- Completely closed for easy cleaning
- Attractive room appearance due to indirect light
- Minimalist design seamlessly blends into surroundings
- Connecting intelligent sensors to enable workplace detection

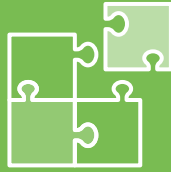


Modular products

Environmental protection is a necessity. This is why we consider our environment when we develop our luminaires. As a rule, our LED modules and ECGs are interchangeable.

Putting the focus on people:

Human centric lighting (HCL) is at the core of user-oriented light. The optimized control ensures sustainable lighting – only when, and in the amount, needed.

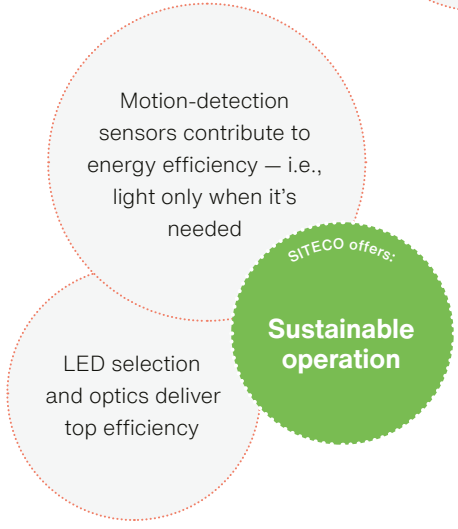


Energy and CO₂

Long-term conservation of resources: Our innovative, highly efficient solutions help us make a sustainable contribution to achieving climate targets and reducing up to 90% of CO₂.

Recycling

Our key building block in actively protecting the environment: 90% of the material can be used to bring a new luminaire to life.



True circular economy.

Is a product sustainable because it uses less energy? No, production and disposal also have to be included in the calculation. That's why we manufacture our SITECO luminaires in Germany following energy-optimized manufacturing practices that employ a sophisticated modular concept with exceptionally high recycling rates for a true circular economy. For us, all this stands for *Made in Germany*.

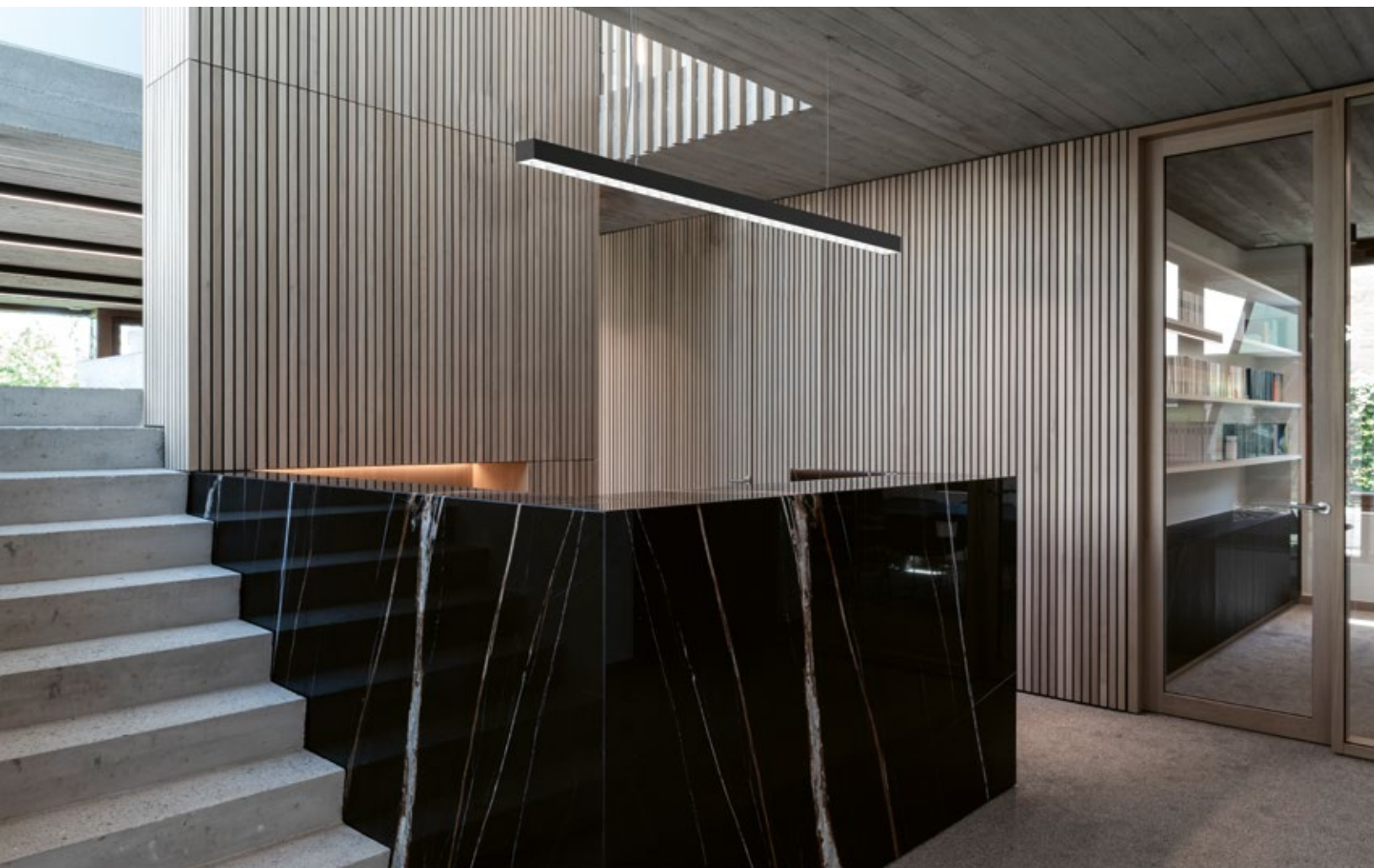


We are as you want us to be.

What would an office be like if, instead of just hanging typical industrial design luminaires and then switching on the light, you also implemented a lighting solution that lets you preside over a livable working environment? A solution that's not defined by us, the provider, but rather one that is centrally guided by your ideas and needs. A solution we tailor together, drawing on our products and related know-how in order to meet your very individual requirements. Even with concepts that don't even exist yet.

With our individual solutions you can make your office a better place.







Recessed luminaire ELDACON® L,
louver color white

**One concept –
three looks.**
Find your
perfect Silica.



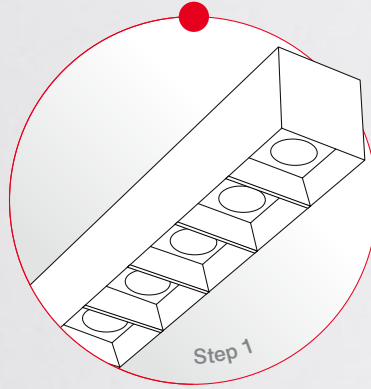
Recessed luminaire ELDACON® L,
louver color black



Recessed luminaire ELDACON® P,
prismatic optics

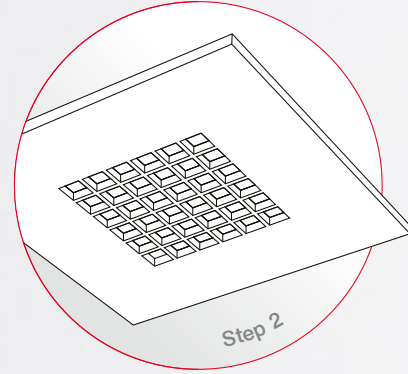
Linear

pendant, surface mounted, recessed

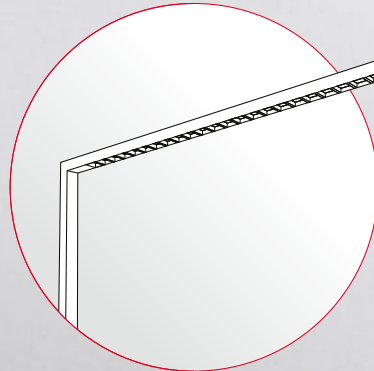


System ceiling

square, rectangle

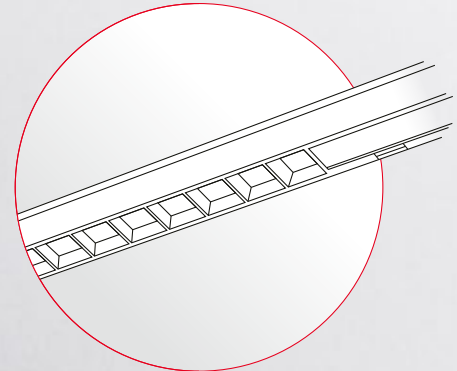


Future. Vision.



Silica 21 Floor L

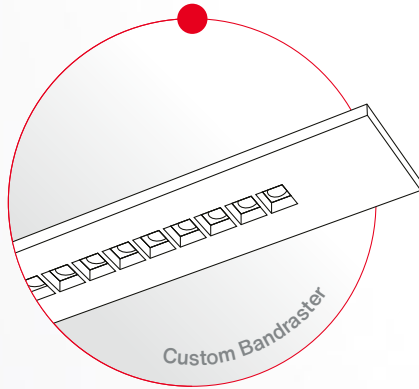
single, duo



Licross

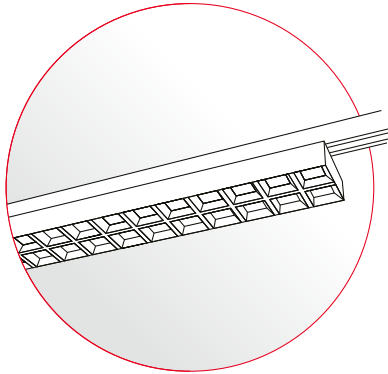
**Refurbishment
kit louver luminaire**

project specific customization



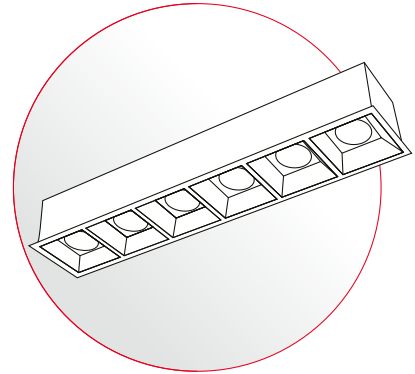
Three-phase track

600 × 100, 600 × 200

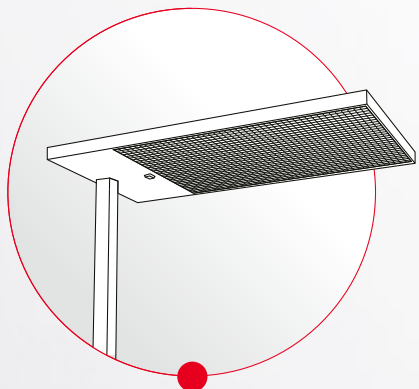


Downlight

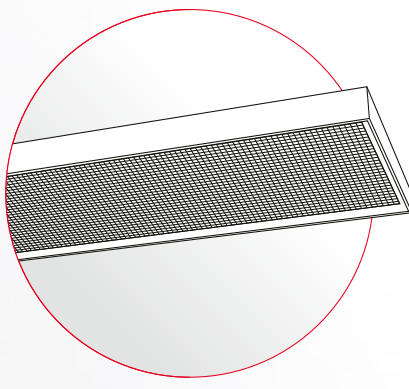
300 × 50, 150 × 150, 300 × 300



Silica 21

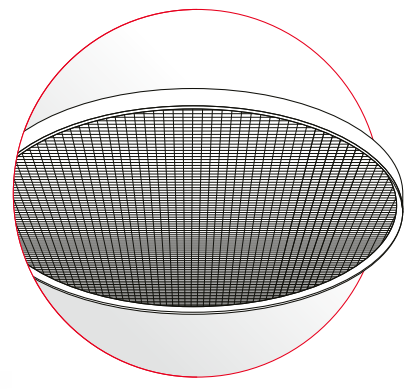


Silica 21 Floor R



FLAT Square

pendant, surface mounted, recessed



FLAT Round

pendant, surface mounted, recessed

Let it become
become your light.
Silica 21 

Contact.

Siteco GmbH

Georg-Simon-Ohm-Str. 50
83301 Traunreut, Germany
Tel. +49 8669 330
info@siteco.com

siteco.com

Technical support

Tel. +49 8669 338 44
technicalsupport@siteco.com