

Order No.: 5XH8D35N08SA | GTIN (EAN): 4069025104823

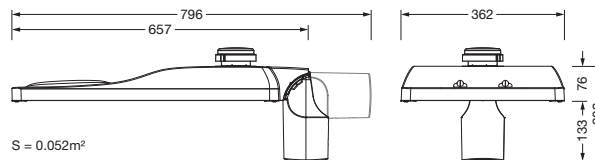
Product description: SL31mx,ST1.0a,28060lm730,NEMA7DR,SlA



Streetlight SL 31 maxi NEMA (7pin), Desk-Remote mast luminaire for post-top, side-entry; light control with lens of PMMA; light distribution: ST1.0a, direct asymmetric distribution, for standard-compliant lighting for roads and squares; LED: luminous flux: 28.060lm, light colour: 730, colour temperature: 3000K; luminous efficacy: 134,5lm/W; control: pre-setting: linear dimming characteristic, flexible luminous flux parameterisation, time-dependent luminous flux control, constant luminous flux control, intelligent temperature release in ECG and LED module, overheat protection; luminaire housing, of diecast aluminium, Siteco® metallic grey (DB 702S), corrosivity category C5 high according to DIN EN ISO 12944; cover of toughened safety glass, transparent, opened without tools; mast flange of diecast aluminium, Siteco® metallic grey (DB 702S), spigot size: 76/60mm, mast flange included unmounted; with cable H07RN-F 3x 1.5mm², cable length: 14,5m, connection cable pre-assembled; mains connection: 220..240V, AC, 50/60Hz; power consumption (at start of service life): 208,6W / (at end of service life): 233,1W / (with reduced operation 50%): 88W; protection rating (complete): IP66; insulation class (complete): insulation class I (protective earthing); impact resistance: IK09; certification: CE, ENEC, ENEC+, VDE, UKCA; permissible operating ambient temperature for outdoor applications: -40..+50°C; packaging unit: 1 piece



Lamps: LED
 Wt. (kg): 12.5
 GTIN (EAN): 4069025104823



Order No.: 5XH8D35N08SA | GTIN (EAN): 4069025104823

Detailed technical description: SL31mx,ST1.0a,28060lm730,NEMA7DR,SIa



Key data

- Product type: mast luminaire
- Product name: Streetlight SL 31 maxi
- Order No.: 5XH8D35N08SA

Lighting technology | Lamps | Control gear

Component 1

Lighting technology:

- Light control: lens of PMMA
- Cover: cover, transparent
- Light distribution: ST1.0a
- Beam angle: wide distribution
- Symmetry: asymmetric distribution
- Light emission: direct distribution

Lamps:

- Lamps: with High Power LED, LED
- Rated luminous flux: 28060lm
- Luminous efficacy: 135lm/W
- Colour temperature: 3000K
- Colour rendering index: CRI > 70
- Light colour: 730
- Rated input power begin service life: 209
- Rated input power end service life: 233
- Rated input power at 50% lumin. flux: 88

Operating device:

- Control: NEMA (7pin), Desk-Remote, Smart Interface above
- Equipment: overheat protection, constant luminous flux control, time-dependent luminous flux control, flexible luminous flux parameterisation, intelligent temperature release in ECG and LED module, pre-setting: linear dimming characteristic

Certificates, Standards

- Protection rating: IP66
- Insulation class: insulation class I (protective earthing)
- Impact resistance: IK09
- Temperature range (operation): -40..+50°C
- Supplement: standard-compliant lighting for roads and squares
- Corrosion protection: corrosivity category C5 high according to DIN EN ISO 12944
- Certification, designation: CE, ENEC, ENEC+, VDE, UKCA

Material, Colour

- luminaire housing: diecast aluminium, powder-coated, Siteco® metallic grey (DB 702S), sealing non-destructively replaceable, multi-level sealing system, inclination: -15°..+20° (post-top) | -20°..+20° (side-entry), adjustable in 5° steps, no sealing on luminaire upper side
- Colour specification: Siteco® metallic grey (DB 702S)
- mast flange: diecast aluminium, coated, Siteco® metallic grey (DB 702S), mast flange included unmounted
- Colour specification: Siteco® metallic grey (DB 702S)
- Cover: cover of toughened safety glass

Mounting

- Mounting method, mounting location: side-entry, post-top, on mast

Electrical connection

- Connection: cable H07RN-F 3x 1.5mm²
- Nominal voltage: 220..240V, 50/60Hz, AC
- Surge voltage resistance: 10kV 1.2/50µs
- Connection cable: pre-assembled, L= 14.5m

Dimensions, Weight

- Weight: 12.5kg
- Mast spigot: spigot size: 76/60mm

Light emission

- Light emission: 0% at 0° inclination

Order No.: 5XH8D35N08SA | GTIN (EAN): 4069025104823

Detailed technical description: SL31mx,ST1.0a,28060lm730,NEMA7DR,SIa

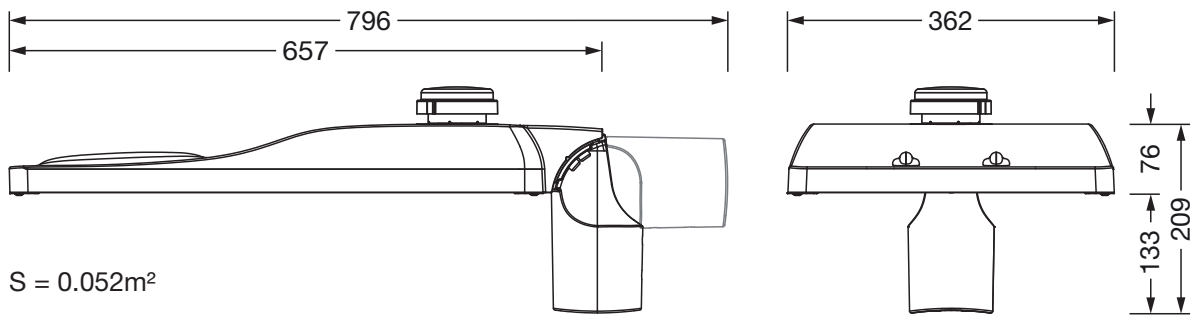


Service life

- Rated service life: 100000h at AT = 25°C

Order No.: 5XH8D35N08SA | GTIN (EAN): 4069025104823

Dimensions: SL31mx,ST1.0a,28060lm730,NEMA7DR,Sla



S = 0.052m²

It is mandatory that the assembly instructions must be observed when planning and installing the electrical installation (to be found at www.siteco.com)

Tolerances related to thermal, electrical and photometric data according to IEC 62722

Issued 21.06.2024 - Modifications and errors subject to change - Ensure that you always use the latest version -