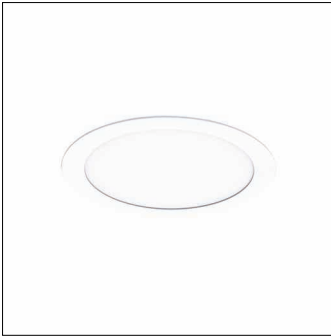


Order No.: 51DB16MF91C | **GTIN (EAN):** 4069025013255

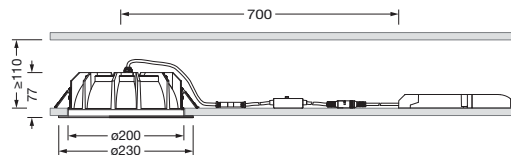
Product description: Lun21XL,cov.op,Ø200,2020lm8mc,MLwh



Lunis 21, XL, downlight, light control with lens, of PMMA, optical cover: cover panel, of PC, opal, light emission: direct distribution, LED rated luminous flux: 2.020lm, light colour: 830/840/865, with terminal, 3-pole, mains connection: 220..240V, AC/DC, 0/50..60Hz, housing, round, of diecast aluminium, traffic white (RAL 9016), diameter: 230mm, clamping range: 1..40mm, protection rating (complete): IP20, protection rating (on room side): IP54, insulation class (complete): insulation class II (safety insulation), certification: CE, impact resistance: IK03, packaging unit: 1 piece

IP 20 IK 03   

Lamps: LED
 Wt. (kg): 1.2
 GTIN (EAN): 4069025013255



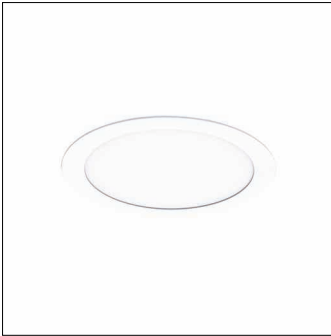
It is mandatory that the assembly instructions must be observed when planning and installing the electrical installation (to be found at www.siteco.com)

Tolerances related to thermal, electrical and photometric data according to IEC 62722

Issued 30.03.2024 - Modifications and errors subject to change - Ensure that you always use the latest version -

Order No.: 51DB16MF91C | GTIN (EAN): 4069025013255

Detailed technical description: Lun21XL,cov.op,Ø200,2020lm8mc,MLwh



Key data

- Product type: downlight
- Product name: Lunis 21 XL
- Order No.: 51DB16MF91C

Lighting technology | Lamps | Control gear

Component 1

Lighting technology:

- Light control: lens of PMMA
- Cover: cover panel, opal
- Beam angle: wide distribution
- Light emission: direct distribution
- UGR viewing direction along longitudinal luminaire axis: ≤ 22
- UGR viewing direction along lateral luminaire axis: ≤ 22

Lamps:

- Lamps: with LED
- Rated luminous flux: 2020lm
- Luminous efficacy: 149lm/W
- Colour temperature: 3000/4000/6500K
- Colour rendering index: CRI > 80
- Light colour: 830/840/865
- SDCM (Standard Deviation of Colour Matching): MacAdam ≤ 3 SDCM (initial)
- Rated input power: 13.6W
- Supplement: UGR ≤ 19 with luminous fluxes up to factory setting, luminous flux designation at factory setting and 4000K

Operating device:

- Control: ON/OFF Multilumen

Certificates, Standards

- Protection rating: IP20
- Protection rating (on room side): IP54
- Insulation class: insulation class II (safety insulation)
- Impact resistance: IK03
- Certification, designation: CE

Material, Colour

- housing: diecast aluminium, traffic white (RAL 9016), round
- Colour specification: traffic white (RAL 9016)
- Cover: cover panel of PC

Mounting

- Mounting method, mounting location: recessed, in the ceiling
- Ø of ceiling cut-out: 200mm
- Clamping range: 1..40mm
- Arrangement: single arrangement

Electrical connection

- Connection: terminal, 3-pole
- Nominal voltage: 220..240V, 0/50..60Hz, AC/DC

Dimensions, Weight

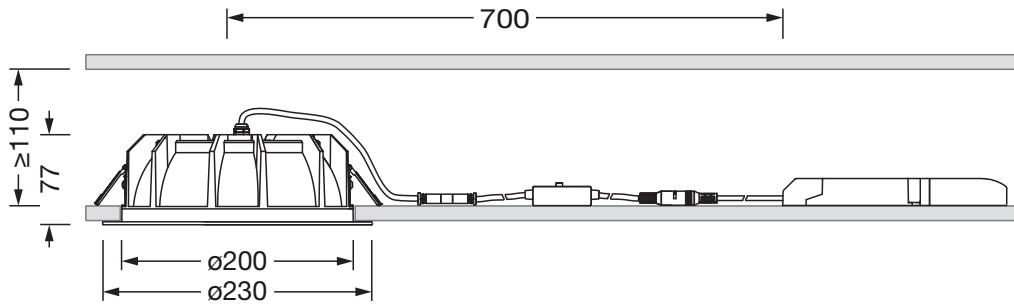
- Diameter: 230mm
- Weight: 1.2kg

Service life

- Rated service life: 50000h (L80/B20) at AT = 25°C

Order No.: 51DB16MF91C | GTIN (EAN): 4069025013255

Dimensions: Lun21XL,cov.op,Ø200,2020lm8mc,MLwh



It is mandatory that the assembly instructions must be observed when planning and installing the electrical installation (to be found at www.siteco.com)

Tolerances related to thermal, electrical and photometric data according to IEC 62722

Issued 30.03.2024 - Modifications and errors subject to change - Ensure that you always use the latest version -