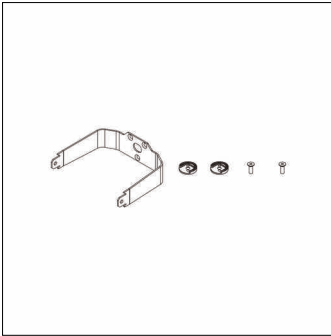


Order No.: 5XA77XBR06XA | **GTIN (EAN):** 4069025011695

Product description: FL21mc,mastbr,steel,DB702S

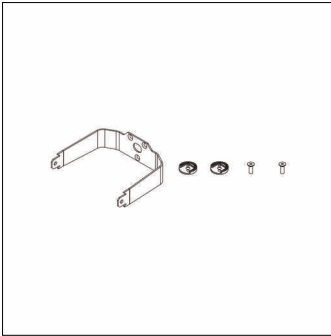


Floodlight FL 21 micro, mounting bracket, mast bracket, of steel, coated, Siteco® metallic grey (DB 702S), LABS conformity tested according to VDMA 24364:2018-05, packaging unit: 1 piece

Wt. (kg): 1.0
GTIN (EAN): 4069025011695

Order No.: 5XA77XBR06XA | GTIN (EAN): 4069025011695

Detailed technical description: FL21mc,mastbr,steel,DB702S



Key data

- Product type: mounting bracket
- Product name: Floodlight FL 21 micro
- Order No.: 5XA77XBR06XA

Certificates, Standards

- Supplement: LABS conformity tested according to VDMA 24364:2018-05

Material, Colour

- mast bracket: steel, coated, Siteco® metallic grey (DB 702S)
- Colour specification: Siteco® metallic grey (DB 702S)

Mounting

- Arrangement: single arrangement

Dimensions, Weight

- Weight: 1.0kg