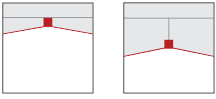


**Order No.:** 51HK41DA4JCA | **GTIN (EAN):** 4058352883426

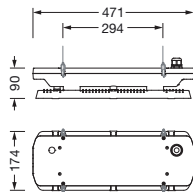
**Product description:** HB21S,nrrw,19100lm840,DA2



Highbay 21-S, LED high bay luminaire, primary light control with lens, of PC, primary optical cover: cover panel, light emission: direct distribution, primary light characteristic: symmetric, installation type: suspended mounting, surface-mounted, LED, rated luminous flux: 19.100lm, luminous efficacy: 159lm/W, light colour: 840, colour temperature: 4000K, control gear: ECG DALI, with terminal, 5-pole, max. 2.5mm<sup>2</sup>, mains connection: 220..240V, AC, 50Hz, rated input power: 120W, housing, of diecast aluminium, coated, grey, length: 471mm, width: 172mm, height: 87mm, protection rating (complete): IP66, insulation class (complete): insulation class I (protective earthing), certification: CE, ENEC, UKCA, protection symbol: D, impact resistance: IK08, permissible operating ambient temperature: -30..+55°C, corresponds to IFS (International Featured Standards) requirements for safety and quality in the food industry, LABS conformity tested according to VDMA 24364:2018-05, packaging unit: 1 piece



Lamps:	LED
Wt. (kg):	4.0
GTIN (EAN):	4058352883426



Order No.: 51HK41DA4JCA | GTIN (EAN): 4058352883426

Detailed technical description: HB21S,nrrw,19100lm840,DA2



#### Key data

- Product type: LED high bay luminaire
- Product name: Highbay 21-S
- Order No.: 51HK41DA4JCA

#### Lighting technology | Lamps | Control gear

#### Component 1

#### Lighting technology:

- Light control: lens of PC
- Cover: cover panel
- Beam angle: narrow distribution
- Symmetry: symmetric
- Light emission: direct distribution
- UGR viewing direction along longitudinal luminaire axis:  $\leq 22$
- UGR viewing direction along lateral luminaire axis:  $\leq 22$

#### Lamps:

- Lamps: with LED
- Rated luminous flux: 19100lm
- Luminous efficacy: 159lm/W
- Colour temperature: 4000K
- Colour rendering index: CRI > 80
- Light colour: 840
- SDCM (Standard Deviation of Colour Matching): MacAdam  $\leq 4$  SDCM (initial)
- Rated input power: 120W
- Supplement: without flicker

#### Operating device:

- Control gear: ECG DALI
- Control: DALI 2

#### Certificates, Standards

- Protection rating: IP66
- Insulation class: insulation class I (protective earthing)
- Impact resistance: IK08
- Protection symbol: D
- Temperature range (operation): -30..+55°C
- Supplement: corresponds to IFS (International Featured Standards) requirements for safety and quality in the food industry, LABS conformity tested according to VDMA 24364:2018-05
- Certification, designation: CE, ENEC, UKCA

#### Material, Colour

- housing: diecast aluminium, coated, grey
- Quantity: 1 piece
- Colour specification: grey
- Cover: cover panel

#### Mounting

- Mounting method, mounting location: suspended mounting, surface-mounted, to the ceiling, to the chain
- Arrangement: single arrangement
- Supplement: mounting accessories required, please order separately

#### Electrical connection

- Connection: terminal, 5-pole, max. 2.5mm<sup>2</sup>
- Nominal voltage: 220..240V, 50Hz, AC

#### Dimensions, Weight

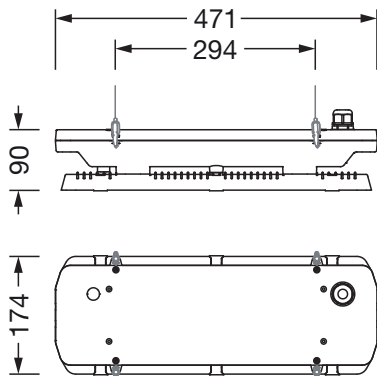
- Length: 471mm
- Width: 172mm
- Height: 87mm
- Weight: 4.0kg

#### Service life

- Rated service life: 100000h (L80/B50) at AT = ta max, 70000h (L85/B50) at AT = ta max, 50000h (L90/B50) at AT = ta max

Order No.: 51HK41DA4JCA | GTIN (EAN): 4058352883426

Dimensions: HB21S,nrrw,19100lm840,DA2



It is mandatory that the assembly instructions must be observed when planning and installing the electrical installation (to be found at [www.siteco.com](http://www.siteco.com))

Tolerances related to thermal, electrical and photometric data according to IEC 62722

Issued 03.05.2024 - Modifications and errors subject to change - Ensure that you always use the latest version -