

Order No.: 51MY52FA4CS | GTIN (EAN): 4058352966167

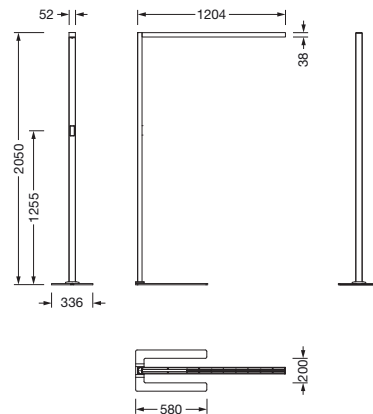
Product description: Sil31FI,10600lm840,Tdi,PIR-sens,sr



Silica® 31 Floor, floorstanding luminaire, secondary optical cover: cover panel, of PMMA, light emission: direct/indirect distribution, primary light characteristic: symmetric, installation type: not mounted, LED, rated luminous flux: 10.600lm, luminous efficacy: 141lm/W, light colour: 840, colour temperature: 4000K, daylight-dependent control, with cable with plug, mains connection: 230V, AC, 50Hz, connection cable pre-assembled, rated input power: 75W, luminaire head, of aluminium, metallic grey (RAL 9006), length: 1.203mm, width: 52mm, supporting column, angular, of aluminium, metallic grey (RAL 9006), baseplate, of steel, metallic grey (RAL 9006), protection rating (complete): IP20, insulation class (complete): insulation class I (protective earthing), certification: CE, permissible operating ambient temperature: -20..+40°C, standard: EN 50419, packaging unit: 1 piece

IP 20  

Lamps:	LED
Wt. (kg):	12.2
GTIN (EAN):	4058352966167



It is mandatory that the assembly instructions must be observed when planning and installing the electrical installation (to be found at www.siteco.com)

Tolerances related to thermal, electrical and photometric data according to IEC 62722

Issued 08.05.2024 - Modifications and errors subject to change - Ensure that you always use the latest version -

Order No.: 51MY52FA4CS | GTIN (EAN): 4058352966167

Detailed technical description: Sil31FI,10600lm840,Tdi,PIR-sens,sr



Key data

- Product type: floorstanding luminaire
- Product name: Silica® 31 Floor
- Order No.: 51MY52FA4CS

Lighting technology | Lamps | Control gear

Component 1

Lighting technology:

- Beam angle: wide distribution
- Symmetry: symmetric
- Secondary cover: cover panel
- Light emission: direct/indirect distribution, 76:24
- UGR viewing direction along longitudinal luminaire axis: ≤ 16
- UGR viewing direction along lateral luminaire axis: ≤ 16

Lamps:

- Lamps: with LED
- Rated luminous flux: 10600lm
- Luminous efficacy: 141lm/W
- Colour temperature: 4000K
- Colour rendering index: CRI > 80
- Light colour: 840
- SDCM (Standard Deviation of Colour Matching): MacAdam ≤ 3 SDCM (initial)
- Rated input power: 75W
- Supplement: with ambient light and presence detector

Operating device:

- Control: Touchdim
- Switching method: daylight-dependent control

Certificates, Standards

- Protection rating: IP20
- Insulation class: insulation class I (protective earthing)
- Temperature range (operation): -20..+40°C
- Standard: EN 50419
- Certification, designation: CE

Material, Colour

- luminaire head: aluminium, metallic grey (RAL 9006)
- Colour specification: metallic grey (RAL 9006)
- supporting column: aluminium, metallic grey (RAL 9006), angular
- Quantity: 1 piece
- Colour specification: metallic grey (RAL 9006)
- baseplate: steel, metallic grey (RAL 9006)
- Quantity: 1 piece
- Colour specification: metallic grey (RAL 9006)
- Cover: cover panel of PMMA

Mounting

- Mounting method, mounting location: not mounted

Electrical connection

- Connection: cable with plug
- Nominal voltage: 230V, 50Hz, AC
- Connection cable: pre-assembled

Dimensions, Weight

- Length: 1203mm
- Width: 52mm
- Weight: 12.2kg

Service life

- Rated service life: 50000h (L80/B10) at AT = 25°C

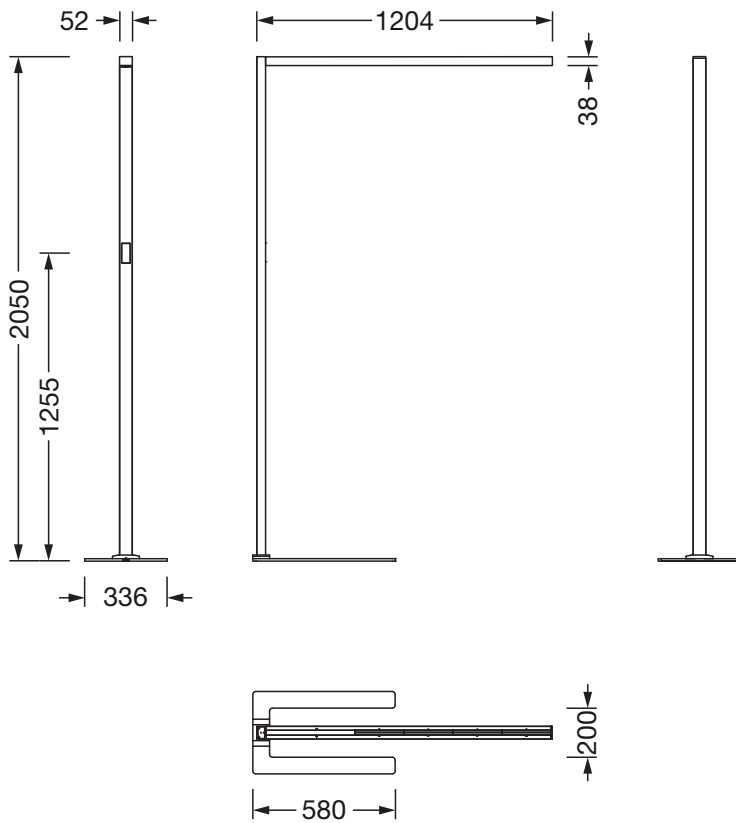
Inputs

1x PIR movement sensor

- Connection: PIR sensor (passive-infrared)

Order No.: 51MY52FA4CS | GTIN (EAN): 4058352966167

Dimensions: Sil31FI,10600lm840,Tdi,PIR-sens,sr



It is mandatory that the assembly instructions must be observed when planning and installing the electrical installation (to be found at www.siteco.com)

Tolerances related to thermal, electrical and photometric data according to IEC 62722

Issued 08.05.2024 - Modifications and errors subject to change - Ensure that you always use the latest version -