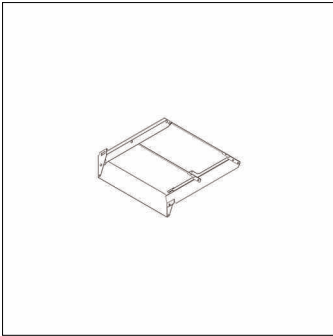


Order No.: 5XA779FS2K | **GTIN (EAN):** 4058352913888

Product description: FL11mxshield

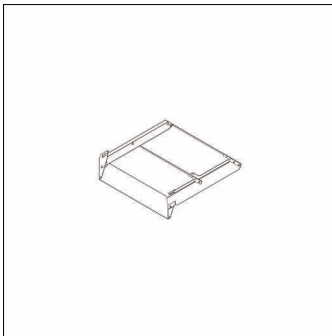


Floodlight FL 11 maxi shield; shield Frame Shield K of aluminium, matt jet black (RAL 9005); packaging unit: 1 piece

Wt. (kg): 2.0
GTIN (EAN): 4058352913888

Order No.: 5XA779FS2K | GTIN (EAN): 4058352913888

Detailed technical description: FL11mxshield



Key data

- Product type: shield
- Product name: Floodlight FL 11 maxi
- Order No.: 5XA779FS2K

Material, Colour

- Frame Shield K: aluminium, matt jet black (RAL 9005)
- Colour specification: matt jet black (RAL 9005)

Dimensions, Weight

- Weight: 2.0kg