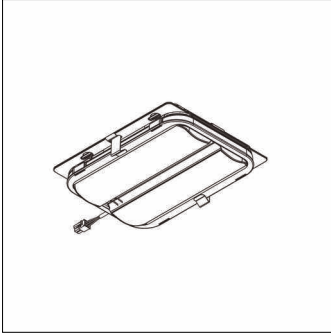


**Order No.:** 5XMOD0125L | **GTIN (EAN):** 4058352780497

**Product description:** SL10mc,LEDmod,P1.0a,722

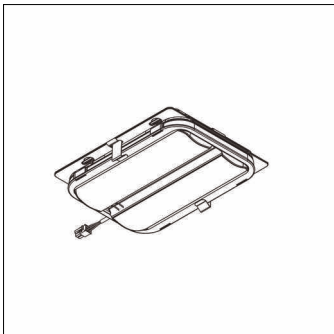


Streetlight 10 micro, LED module, primary light control with cycle path optic, light distribution: P1.0a, primary light characteristic: asymmetric, High Power LED, light colour: 722, colour temperature: 2200K, mains connection: 230..240V, 50Hz, LED module, length: 174mm, width: 137mm, height: 40mm, protection rating (complete): as luminaire, packaging unit: 1 piece

Wt. (kg): 0.8  
GTIN (EAN): 4058352780497

Order No.: 5XMOD0125L | GTIN (EAN): 4058352780497

Detailed technical description: SL10mc,LEDmod,P1.0a,722



#### Key data

- Product type: LED module
- Product name: Streetlight 10 micro
- Order No.: 5XMOD0125L

#### Lighting technology | Lamps | Control gear

##### Component 1

#### Lighting technology:

- Light control: cycle path optic
- Light distribution: P1.0a
- Beam angle: extremely wide distribution
- Symmetry: asymmetric distribution

#### Lamps:

- Lamps: with High Power LED
- Colour temperature: 2200K
- Colour rendering index: CRI > 70
- Light colour: 722
- Supplement: power consumption when used in Streetlight 10 Plus luminaires: construction size micro 8.5..11.5W

#### Certificates, Standards

- Protection rating: as luminaire

#### Electrical connection

- Nominal voltage: 230..240V, 50Hz

#### Dimensions, Weight

- Length: 174mm
- Width: 137mm
- Height: 40mm
- Weight: 0.8kg