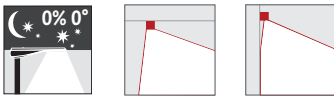


Order No.: 5XA7672C1C1AC | GTIN (EAN): 4058352259436

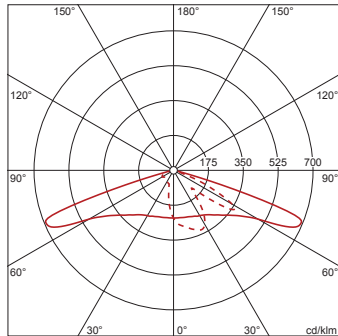
Product description: FL20mn,PL61,9760lm830,PlusDA,bracket



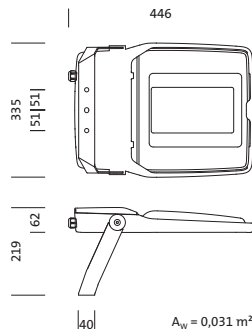
Floodlight FL 20 mini, floodlight, primary light control with lens, of plastic, primary optical cover: protective disc, of toughened safety glass, transparent, light distribution: PL61, light emission: direct distribution, primary light characteristic: asymmetric, installation type: surface-mounted, LED, High Power LED, rated luminous flux: 9.760lm, luminous efficacy: 102lm/W, light colour: 830, colour temperature: 3000K, control gear: ECG Plus, control: flexible luminous flux parameterisation, time-dependent luminous flux control, digital communication interface, power reduction, overheat protection, electronic power reduction, with terminal, 5-pole, max. 2.5mm<sup>2</sup>, mains connection: 220..240V, AC, 50/60Hz, rated input power: 96W, LED unit, of diecast aluminium, powder-coated, Siteco® metallic grey (DB 702S), corrosivity category C5 mid according to DIN EN ISO 12944, incl. 1x M20 cable gland for cable Ø 6.5..12mm, length: 446mm, width: 355mm, height: 62mm, housing frame, of diecast aluminium, powder-coated, Siteco® metallic grey (DB 702S), mounting bracket, of steel, powder-coated, Siteco® metallic grey (DB 702S), DALI, protection rating (complete): IP66, insulation class (complete): insulation class II (safety insulation), certification: CE, ENEC, VDE, protection symbol: D, permissible operating ambient temperature: -40..+40°C, permissible operating ambient temperature for outdoor applications: -40..+50°C, standard: DIN EN 12944, packaging unit: 1 piece

4058352259436  
5XA7672C1C1AC

LED 3000K / CRI ≥ 80    ϕ<sub>h</sub> 9760 lm



Lamps: LED  
Wt. (kg): 6.9  
GTIN (EAN): 4058352259436



It is mandatory that the assembly instructions must be observed when planning and installing the electrical installation (to be found at [www.siteco.com](http://www.siteco.com))

Tolerances related to thermal, electrical and photometric data according to IEC 62722

Issued 08.05.2024 - Modifications and errors subject to change - Ensure that you always use the latest version -

Order No.: 5XA7672C1C1AC | GTIN (EAN): 4058352259436

Detailed technical description: FL20mn,PL61,9760lm830,PlusDA,bracket



### Key data

- Product type: floodlight
- Product name: Floodlight FL 20 mini
- Order No.: 5XA7672C1C1AC

### Lighting technology | Lamps | Control gear

#### Component 1

#### Lighting technology:

- Light control: lens of plastic
- Cover: protective disc, transparent
- Light distribution: PL61
- Symmetry: asymmetric distribution
- Light emission: direct distribution

#### Lamps:

- Lamps: with High Power LED, LED
- Rated luminous flux: 9760lm
- Luminous efficacy: 102lm/W
- Colour temperature: 3000K
- Colour rendering index: CRI > 80
- Light colour: 830
- Rated input power: 96W

#### Operating device:

- Control gear: ECG Plus
- Control: Plus/DALI
- Equipment: overheat protection, power reduction, digital communication interface, time-dependent luminous flux control, flexible luminous flux parameterisation
- Switching method: electronic power reduction

#### Certificates, Standards

- Protection rating: IP66
- Insulation class: insulation class II (safety insulation)
- Protection symbol: D
- Temperature range (operation): -40..+40°C
- Standard: DIN EN 12944
- Corrosion protection: corrosivity category C5 mid according to DIN EN ISO 12944
- Certification, designation: CE, ENEC, VDE

### Material, Colour

- LED unit: diecast aluminium, powder-coated, Siteco® metallic grey (DB 702S), incl. 1x M20 cable gland for cable Ø 6.5..12mm
- Colour specification: Siteco® metallic grey (DB 702S)
- housing frame: diecast aluminium, powder-coated, Siteco® metallic grey (DB 702S)
- Colour specification: Siteco® metallic grey (DB 702S)
- mounting bracket: steel, powder-coated, Siteco® metallic grey (DB 702S)
- Colour specification: Siteco® metallic grey (DB 702S)
- Cover: protective disc of toughened safety glass

### Mounting

- Mounting method, mounting location: surface-mounted, to supporting structure, to the cross arm, to the wall
- Arrangement: single arrangement
- Supplement: with mounting bracket

### Electrical connection

- Connection: terminal, 5-pole, max. 2.5mm<sup>2</sup>
- Nominal voltage: 220..240V, 50/60Hz, AC
- Surge voltage resistance: 10kV 1.2/50µs

### Dimensions, Weight

- Length: 446mm
- Width: 355mm
- Height: 62mm
- Weight: 6.9kg

### Light emission

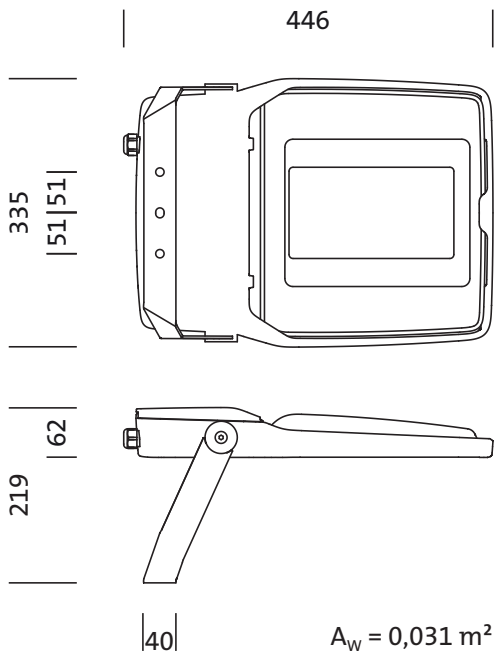
- Light emission: 0% at 0° inclination

### Service life

- Rated service life: 100000h (L97/B10) at AT = 25°C, 50000h (L98/B10) at AT = 25°C

Order No.: 5XA7672C1C1AC | GTIN (EAN): 4058352259436

Dimensions: FL20mn,PL61,9760lm830,PlusDA,bracket



It is mandatory that the assembly instructions must be observed when planning and installing the electrical installation (to be found at [www.siteco.com](http://www.siteco.com))

Tolerances related to thermal, electrical and photometric data according to IEC 62722

Issued 08.05.2024 - Modifications and errors subject to change - Ensure that you always use the latest version -

Order No.: 5XA7672C1C1AC | GTIN (EAN): 4058352259436

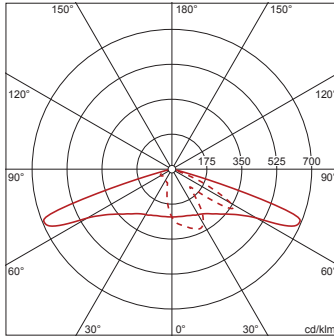
Planning data: FL20mn,PL61,9760lm830,PlusDA,bracket

**5XA7672C1C1AC: 1x LED**  
**3000K / CRI ≥ 80**

4058352259436

5XA7672C1C1AC

LED 3000K / CRI ≥ 80  $\Phi_{\text{H}}$  9760 lm



— C 0/180    - - - C 90/270

Luminous intensity class according to  
EN13201-2: G3