

**Order No.:** 5MB251DL30840 | **GTIN (EAN):** 4052899488823

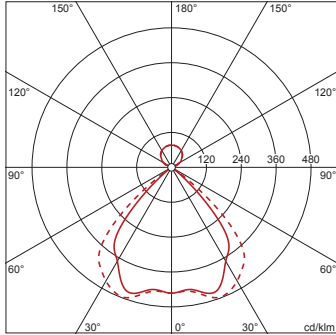
**Product description:** Arktika<sup>®</sup> 21 off-lum, LED, 4400lm 840, DALI, dir/ind



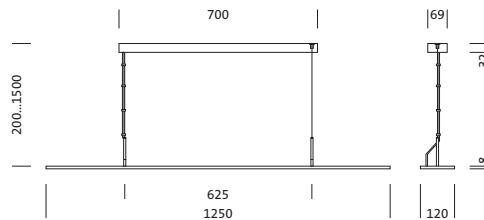
Arktika<sup>®</sup> 21, office luminaire, primary anti-glare with honeycomb louvre, of plastic, aluminium vaporised, highly specular, light emission: direct/indirect distribution, primary light characteristic: symmetric, installation type: suspended mounting, LED, rated luminous flux: 4.400lm, luminous efficacy: 131lm/W, light colour: 840, colour temperature: 4000K, control gear: ECG DALI, with terminal, 3+2-pole, max. 2.5mm<sup>2</sup>, mains connection: 220..240V, AC, 50/60Hz, rated input power: 34W, housing, of aluminium, powder-coated, traffic white (RAL 9016), 1-length, length: 1.250mm, width: 120mm, height: 8mm, protection rating (complete): IP20, insulation class (complete): insulation class II (safety insulation), certification: CE, ENEC, VDE, packaging unit: 1 piece

4052899488823  
5MB251DL30840

LED 4000K / CRI ≥ 80    Φ<sub>N</sub> 4400 lm



<b>Lamps:</b>	LED
<b>Wt. (kg):</b>	1.8
<b>GTIN (EAN):</b>	4052899488823



It is mandatory that the assembly instructions must be observed when planning and installing the electrical installation (to be found at [www.siteco.com](http://www.siteco.com))

Tolerances related to thermal, electrical and photometric data according to IEC 62722

Issued 08.09.2023 - Modifications and errors subject to change - Ensure that you always use the latest version -

Order No.: 5MB251DL30840 | GTIN (EAN): 4052899488823

Detailed technical description: Arkt21 off-lum,LED,4400lm840,DALI,dir/ind



#### Key data

- Product type: office luminaire
- Product name: Arktika® 21
- Order No.: 5MB251DL30840

#### Lighting technology | Lamps | Control gear

##### Component 1

#### Lighting technology:

- Glare reduction: honeycomb louvre of plastic, aluminium vaporised, highly specular
- Beam angle: wide distribution, 95°
- Symmetry: symmetric
- Light emission: direct/indirect distribution, 75:25
- UGR viewing direction along longitudinal luminaire axis: ≤ 19

#### Lamps:

- Lamps: with LED
- Rated luminous flux: 4400lm
- Luminous efficacy: 131lm/W
- Colour temperature: 4000K
- Colour rendering index: CRI > 80
- Light colour: 840
- SDCM (Standard Deviation of Colour Matching): MacAdam ≤ 3 SDCM (initial)
- Rated input power: 34W

#### Operating device:

- Control gear: ECG DALI
- Control: DALI

#### Certificates, Standards

- Protection rating: IP20
- Insulation class: insulation class II (safety insulation)
- Certification, designation: CE, ENEC, VDE

#### Material, Colour

- housing: aluminium, powder-coated, traffic white (RAL 9016), 1-length
- Colour specification: traffic white (RAL 9016)

#### Mounting

- Mounting method, mounting location: suspended mounting, to the wire suspension, to the ceiling
- Recommended suspension height: 0.2..1.5m

#### Electrical connection

- Connection: terminal, 3+2-pole, max. 2.5mm<sup>2</sup>
- Nominal voltage: 220..240V, 50/60Hz, AC

#### Dimensions, Weight

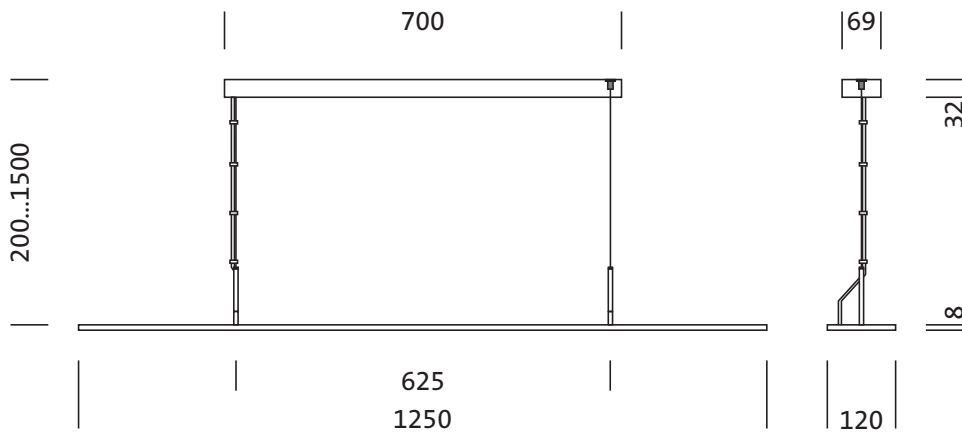
- Length: 1250mm
- Width: 120mm
- Height: 8mm
- Weight: 1.8kg

#### Service life

- Rated service life: 50000h (L80/B50) at AT = 25°C

Order No.: 5MB251DL30840 | GTIN (EAN): 4052899488823

Dimensions: Arkt21 off-lum,LED,4400lm840,DALI,dir/ind



It is mandatory that the assembly instructions must be observed when planning and installing the electrical installation (to be found at [www.siteco.com](http://www.siteco.com))

Tolerances related to thermal, electrical and photometric data according to IEC 62722

Issued 08.09.2023 - Modifications and errors subject to change - Ensure that you always use the latest version -

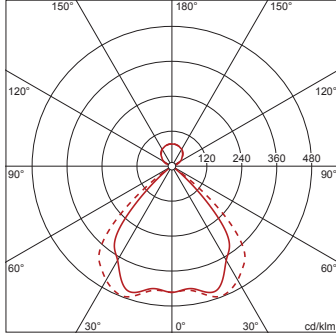
Order No.: 5MB251DL30840 | GTIN (EAN): 4052899488823

Planning data: Arkt21off-lum,LED,4400lm840,DALI,dir/ind

**5MB251DL30840: 1x LED**  
**4000K / CRI ≥ 80**

4052899488823  
 5MB251DL30840

LED 4000K / CRI ≥ 80  $\phi_N$  4400 lm



$\phi_{\downarrow}$  79%  $\phi_{\uparrow}$  21%

Luminance values (cd/m<sup>2</sup>)

	C 0/180	C 90/270
L <sub>80</sub>	217	325
L <sub>70</sub>	292	296
L <sub>65</sub>	363	339

UGR 18.5 19

X 4H Y 8H  $\rho$  70/50/20 S 0.25H

No. of luminaires in room

Reflection factors 70/50/20

Em(lx)	100		200		500	
	2.5	3.0	2.5	3.0	2.5	3.0
Lh(m)	2.5	3.0	2.5	3.0	2.5	3.0
20 m <sup>2</sup>	0.6	0.7	1.2	1.3	3.0	3.4
30 m <sup>2</sup>	1.0	1.1	2.0	2.2	5.0	5.4
40 m <sup>2</sup>	1.3	1.4	2.5	2.8	6.3	6.9
50 m <sup>2</sup>	1.5	1.7	3.0	3.3	7.6	8.3
75 m <sup>2</sup>	2.3	2.4	4.6	4.9	12	12
100 m <sup>2</sup>	2.9	3.1	5.9	6.3	15	16
500 m <sup>2</sup>	14	14	28	29	70	72

Maintenance factor 0.8

Rh = Lh + 0.5 m

It is mandatory that the assembly instructions must be observed when planning and installing the electrical installation (to be found at [www.siteco.com](http://www.siteco.com))

Tolerances related to thermal, electrical and photometric data according to IEC 62722

Issued 08.09.2023 - Modifications and errors subject to change - Ensure that you always use the latest version -