

Order No.: 51FP107P467H3G | **GTIN (EAN):** 4058352376263

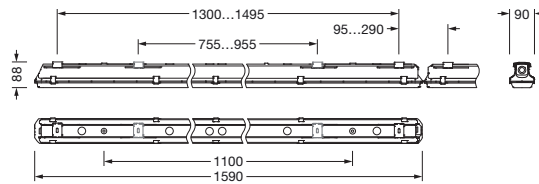
Product description: Mon11em,wd,6050lm840,0/1EL3h,PMMA



Monsun® 11 emergency, damp-proof luminaire, chain hanger, primary optical cover: enclosure, of PMMA, light emission: direct distribution, primary light characteristic: symmetric, installation type: suspended mounting, surface-mounted, horizontal mounting, vertical mounting, LED, rated luminous flux: 6.050lm, luminous efficacy: 163lm/W, light colour: 840, colour temperature: 4000K, control gear: ECG, with terminal, 4-pole, max. 2.5mm², mains connection: 220..240V, AC, 50/60Hz, rated input power: 37W, control gear: single battery element, battery: NiCd, 4,5Ah, mains connection: 230V, 50Hz, luminaire housing, of glass-fibre reinforced polyester, uncoated, bright grey, incl. chain hanger, length: 1.590mm, width: 90mm, height: 88mm, clip for enclosure, of stainless steel (V2A), ceiling mounting element, of stainless steel (V2A), chain hanger, of stainless steel (V2A), protection rating (complete): IP66, insulation class (complete): insulation class I (protective earthing), certification: CE, UKCA, protection symbol: D, impact resistance: IK04, permissible operating ambient temperature: +5..+35°C, standard: EN 50419, EN 60598-2-1, EN 60598-2-22, no direct snow, no direct sun, no direct rain, for indoor or canopied outdoor use, corresponds to IFS (International Featured Standards) requirements for safety and quality in the food industry, contact your sales advisor before using the luminaires in applications with unclear chemical exposure, large temperature fluctuations or condensation-forming humidity, LABS conformity tested according to VDMA 24364:2018-05, packaging unit: 1 piece

IP 66

Lamps: LED
 Wt. (kg): 3.3
 GTIN (EAN): 4058352376263



It is mandatory that the assembly instructions must be observed when planning and installing the electrical installation (to be found at www.siteco.com)
 Tolerances related to thermal, electrical and photometric data according to IEC 62722
 Issued 07.06.2024 - Modifications and errors subject to change - Ensure that you always use the latest version -

Order No.: 51FP107P467H3G | **GTIN (EAN):** 4058352376263

Detailed technical description: Mon11em,wd,6050lm840,0/1EL3h,PMMA



Key data

- Product type: damp-proof luminaire
- Product name: Monsun® 11 emergency
- Order No.: 51FP107P467H3G

Lighting technology | Lamps | Control gear

Component 1

Lighting technology:

- Cover: enclosure
- Beam angle: wide distribution
- Symmetry: symmetric
- Light emission: direct distribution

Lamps:

- Supplement: with self-test function, LED status display: green = system ok; red = failure, net luminous flux = 756lm at emergency light operation

Operating device:

- Control gear: single battery element
- Battery: NiCd
- Nominal service life: 3h

Component 2

Certificates, Standards

- Protection rating: IP66
- Insulation class: insulation class I (protective earthing)
- Impact resistance: IK04
- Protection symbol: D
- Temperature range (operation): +5..+35°C
- Supplement: corresponds to IFS (International Featured Standards) requirements for safety and quality in the food industry, for indoor or canopied outdoor use, no direct snow, no direct sun, no direct rain, LABS conformity tested according to VDMA 24364:2018-05, contact your sales advisor before using the luminaires in applications with unclear chemical exposure, large temperature fluctuations or condensation-forming humidity
- Standard: EN 50419, EN 60598-2-1, EN 60598-2-22
- Certification, designation: CE, UKCA

Material, Colour

- luminaire housing: glass-fibre reinforced polyester, uncoated, bright grey, incl. chain hanger
- Colour specification: bright grey
- clip for enclosure: stainless steel (V2A)
- Quantity: 10 piece
- ceiling mounting element: stainless steel (V2A), ceiling mounting included
- Quantity: 2 piece
- chain hanger: stainless steel (V2A)
- Quantity: 2 piece
- Cover: enclosure of PMMA

Mounting

- Mounting method, mounting location: suspended mounting, surface-mounted, horizontal mounting, vertical mounting, to the ceiling, to the wall, to the Licross® mounting rail
- Arrangement: single/continuous arrangement
- Supplement: luminaire includes fixing accessories for ceiling surface mounting; for other types of installation: please order mounting accessories separately

Electrical connection

- Connection: terminal, 4-pole, max. 2.5mm²
- Nominal voltage: 220..240V, 50/60Hz, AC

Dimensions, Weight

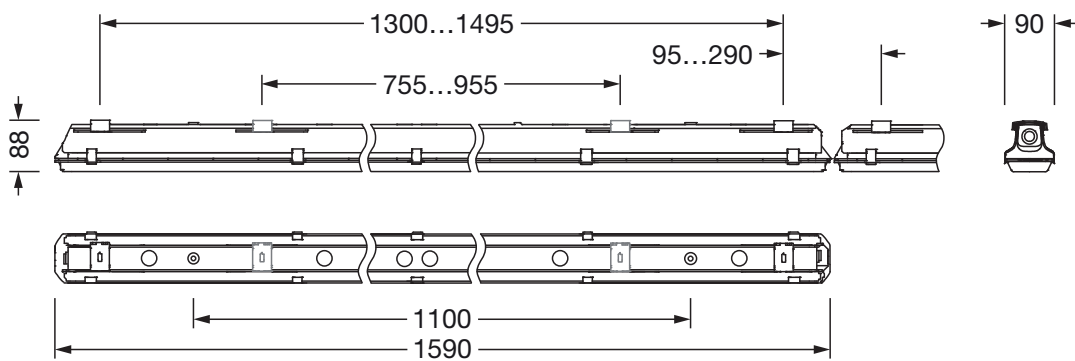
- Length: 1590mm
- Width: 90mm
- Height: 88mm
- Weight: 3.3kg

Service life

- Rated service life: 50000h (L90/B50) at AT = 25°C, 70000h (L80/B50) at AT = 35°C

Order No.: 51FP107P467H3G | GTIN (EAN): 4058352376263

Dimensions: Mon11em,wd,6050lm840,0/1EL3h,PMMA



It is mandatory that the assembly instructions must be observed when planning and installing the electrical installation (to be found at www.siteco.com)

Tolerances related to thermal, electrical and photometric data according to IEC 62722

Issued 07.06.2024 - Modifications and errors subject to change - Ensure that you always use the latest version -

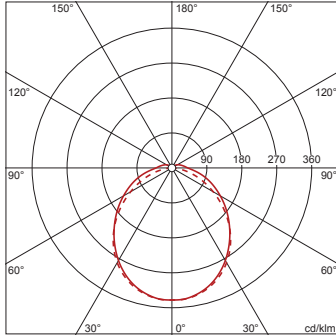
Order No.: 51FP107P467H3G | **GTIN (EAN):** 4058352376263

Planning data: Mon11em,wd,6050lm840,0/1EL3h,PMMA

51FP107P467H3G: 1x LED

4058352376263
51FP107P467H3G

LED 4000 K | CRI ≥ 80 ϕ_{N} 6050 lm



ϕ_{\downarrow} 94% ϕ_{\uparrow} 6%

Luminance values (cd/m²)

	C 0/180	C 90/270
L ₈₀	7228	6298
L ₇₀	8049	8766
L ₆₅	8431	9662

UGR 25 23.6

X 4H Y 8H ρ 70/50/20 S 0.25H