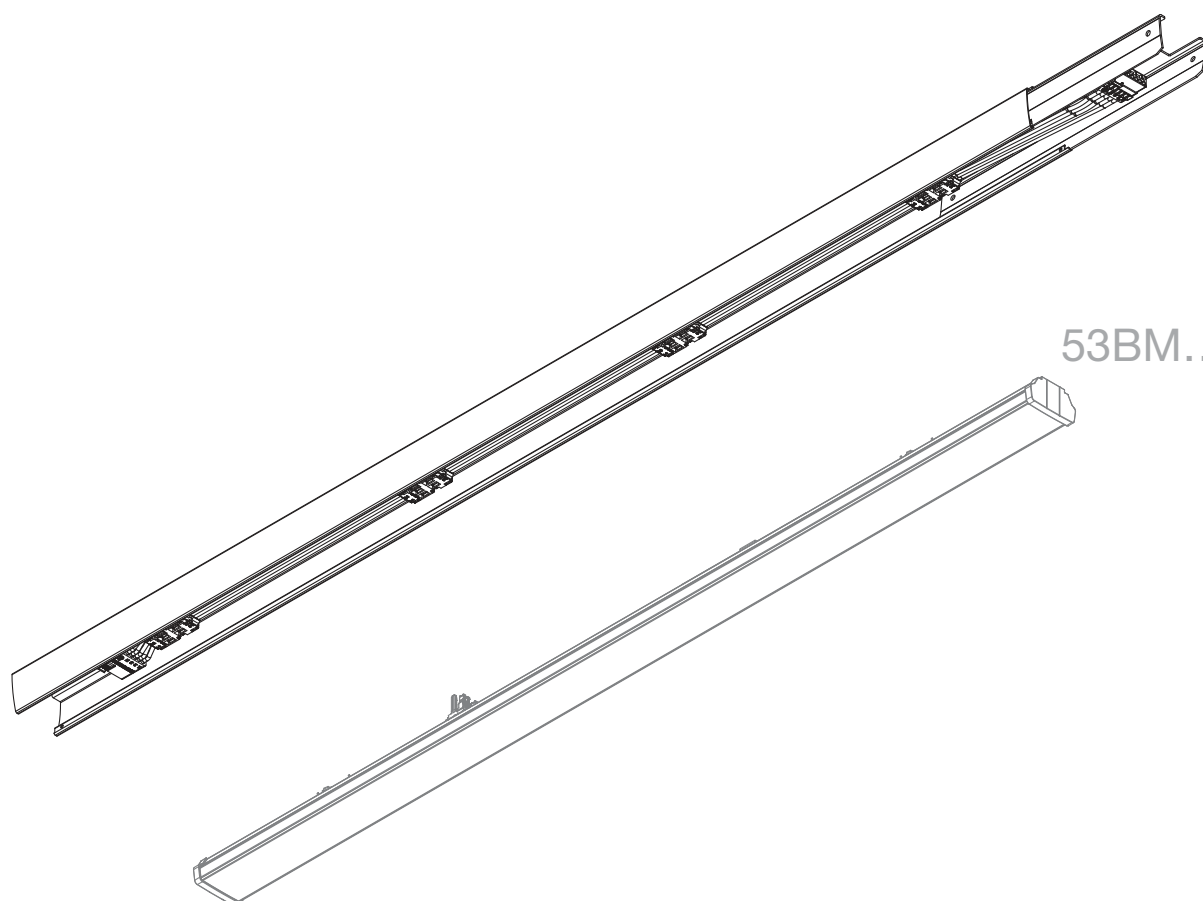


Modario®

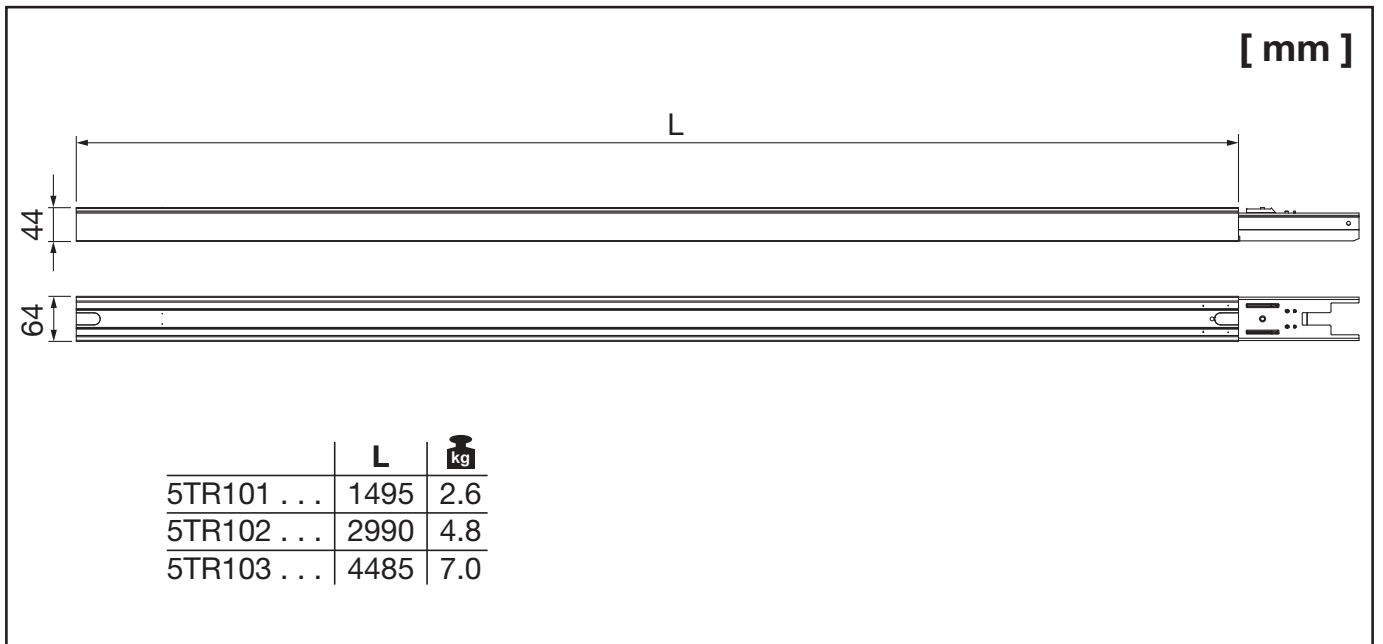
Tragschiene  
Trunking rail

5TR1...





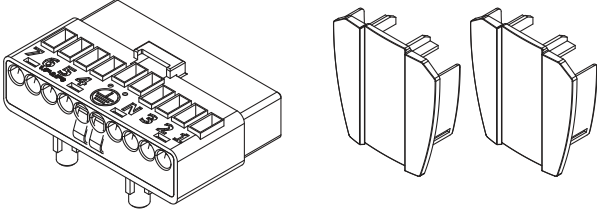
53BM...

**siteco**





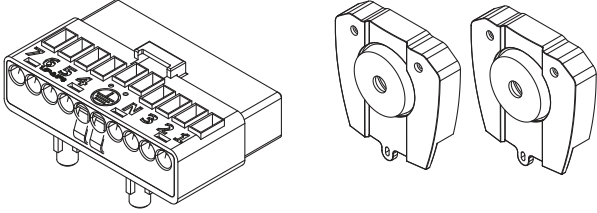
<p>5TR9 . 1312 5TR9 . 1332</p> <p>➔ </p>	<p>5LY9001 5LY9002</p> <p>➔ </p>	<p>5TR901342</p> <p>➔ </p>	
<p>5TR9012</p> <p>➔ </p>	<p>5TR901302</p> <p>➔ </p>	<p>5TR901322</p> <p>➔ </p>	
<p>5LS91101EA</p> <p>➔ </p>	<p>5TR9013</p> <p>➔ </p>	<p>5TR90142</p> <p>➔ </p>	<p>5LY9004</p> <p>➔ </p>

5TR9016 . →  




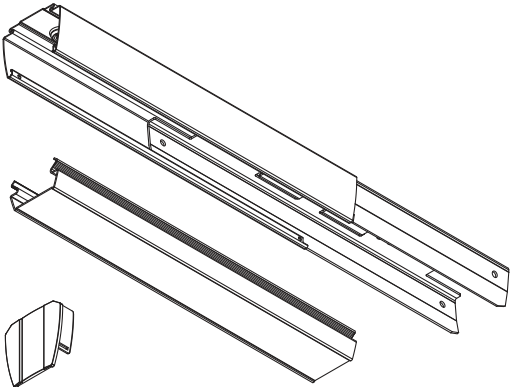
1x                      2x

5TP9016 →  




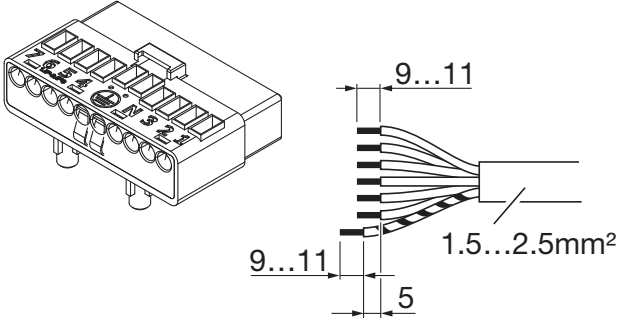
1x                      2x

5TR91AFN0 → 




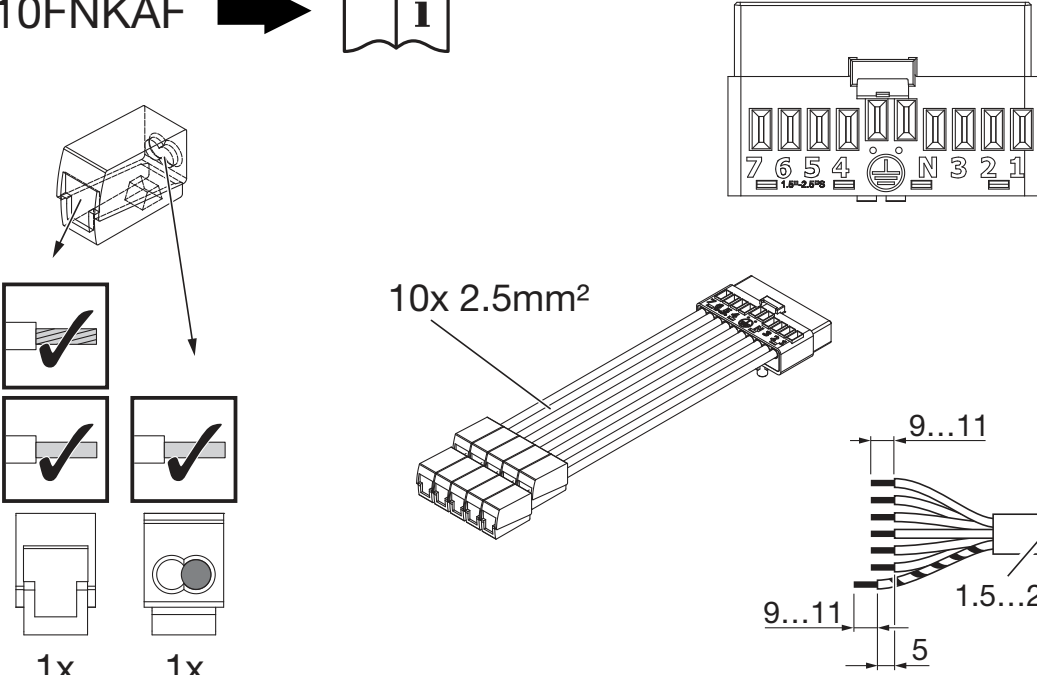
1x  
1x  
2x

5TR910FNKA → 



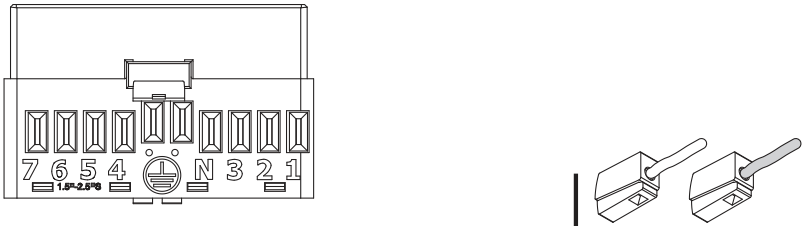
9...11  
1.5...2.5mm<sup>2</sup>  
9...11  
5

5TR910FNKAF → 

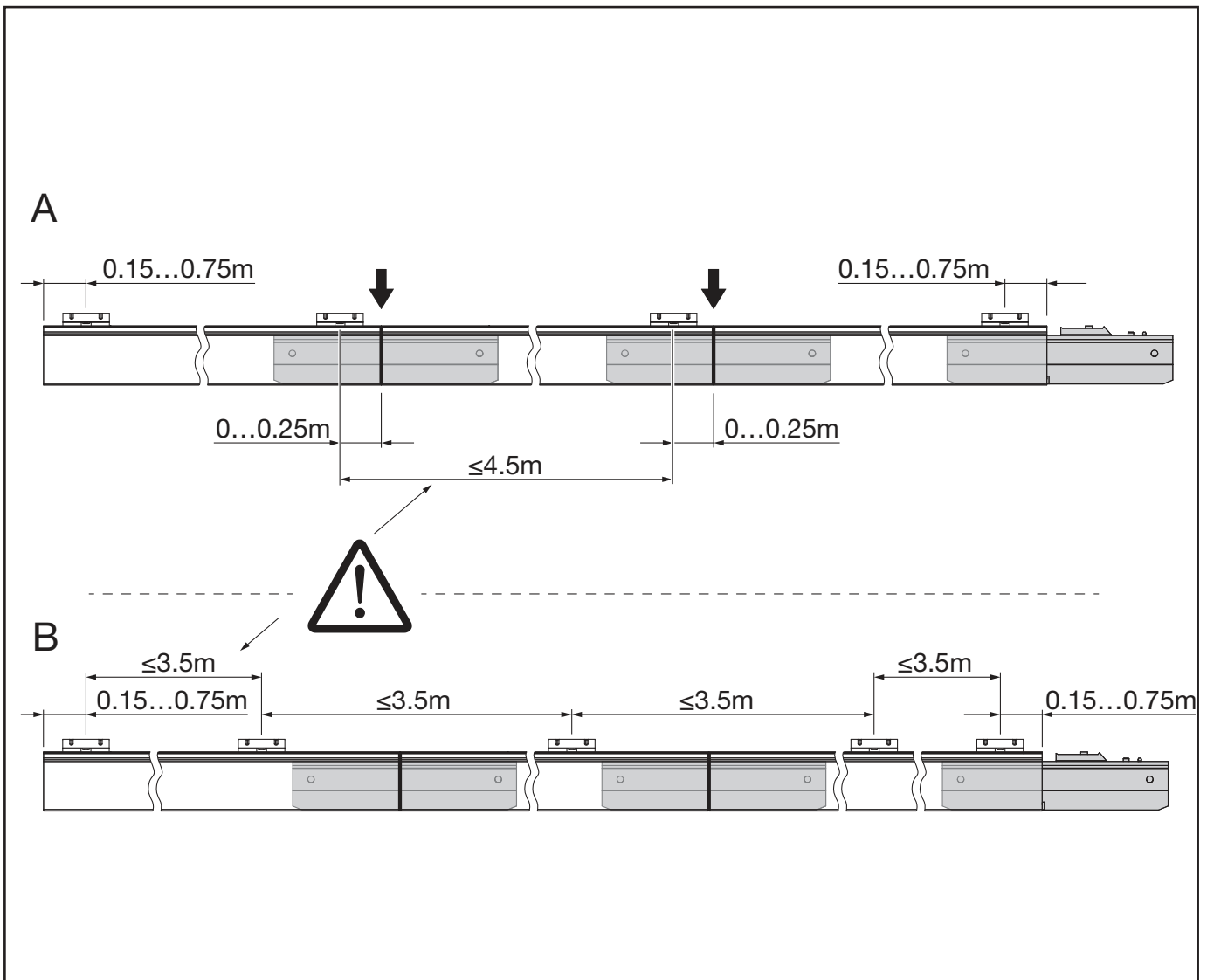


10x 2.5mm<sup>2</sup>  
7 6 5 4 N 3 2 1  
1.5...2.5mm<sup>2</sup>  
9...11  
9...11  
5

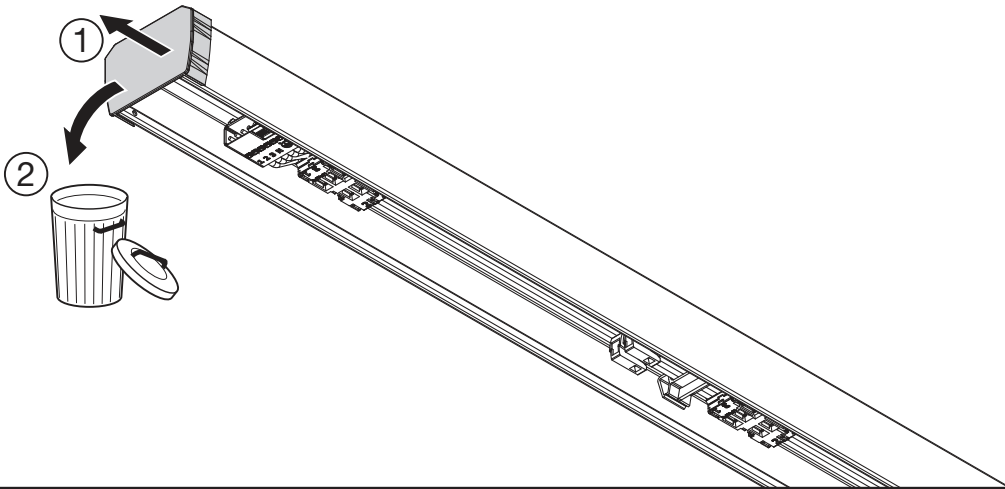
1x                      1x



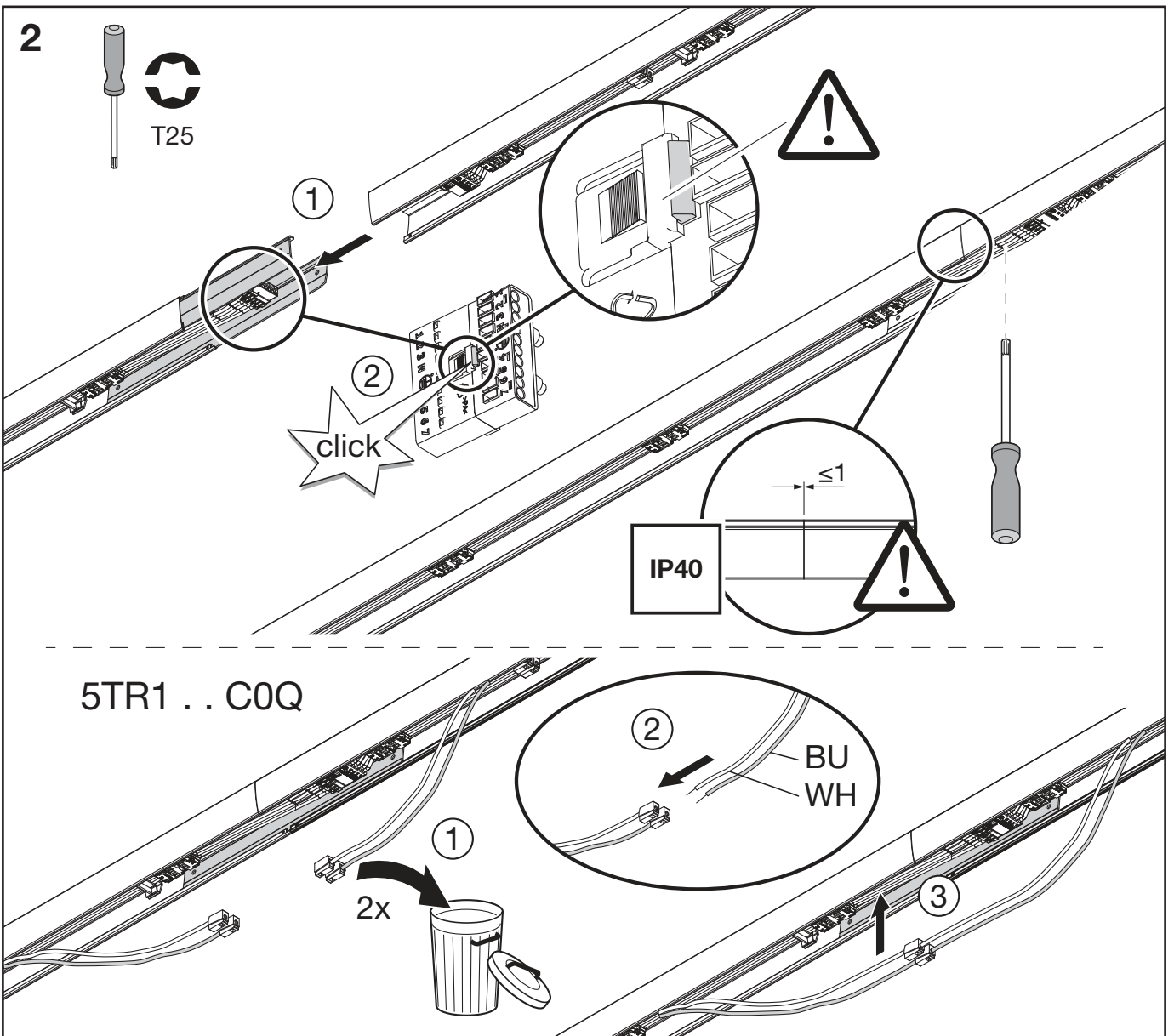
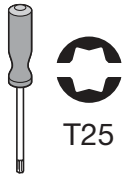
	1 L1	2 L2	3 L3	N	PE	PE	4 N'	5 DA+	6 L'	7 DA-	WH L''	BU N''
5TR1 .. 0 ..												
5TR1 .. 5 ..	X	X	X	X	X							
5TR1 .. 7 ..	X	X	X	X	X			X		X		
5TR1 .. A ..	X	X	X	X	X	X	X	X	X	X		
5TR1 .. C ..	X	X	X	X	X	X	X	X	X	X	X	X



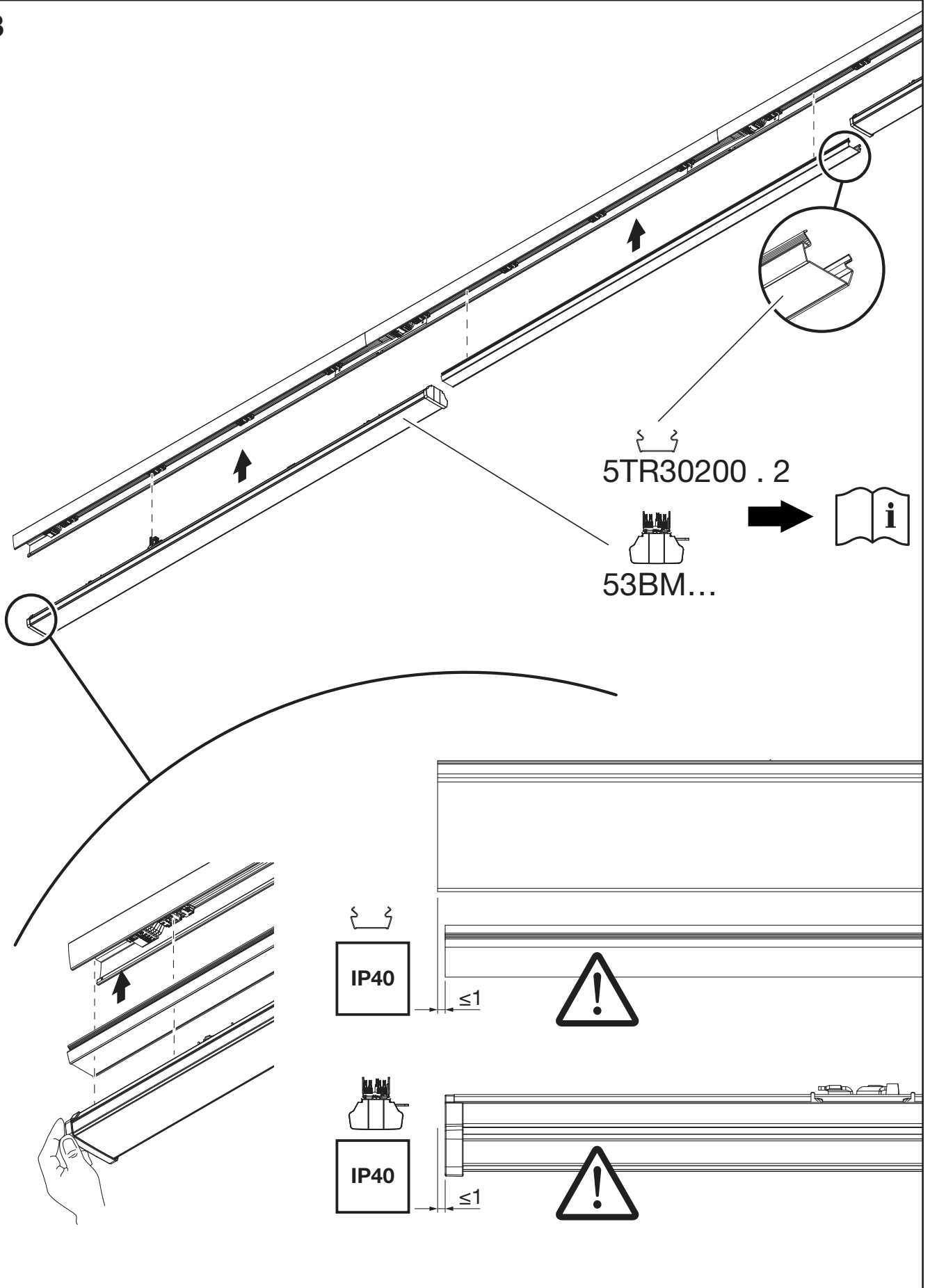
- 1** Umgebungstemperatur während der Installation: +5°C...+40°C  
Ambient temperature during installation:

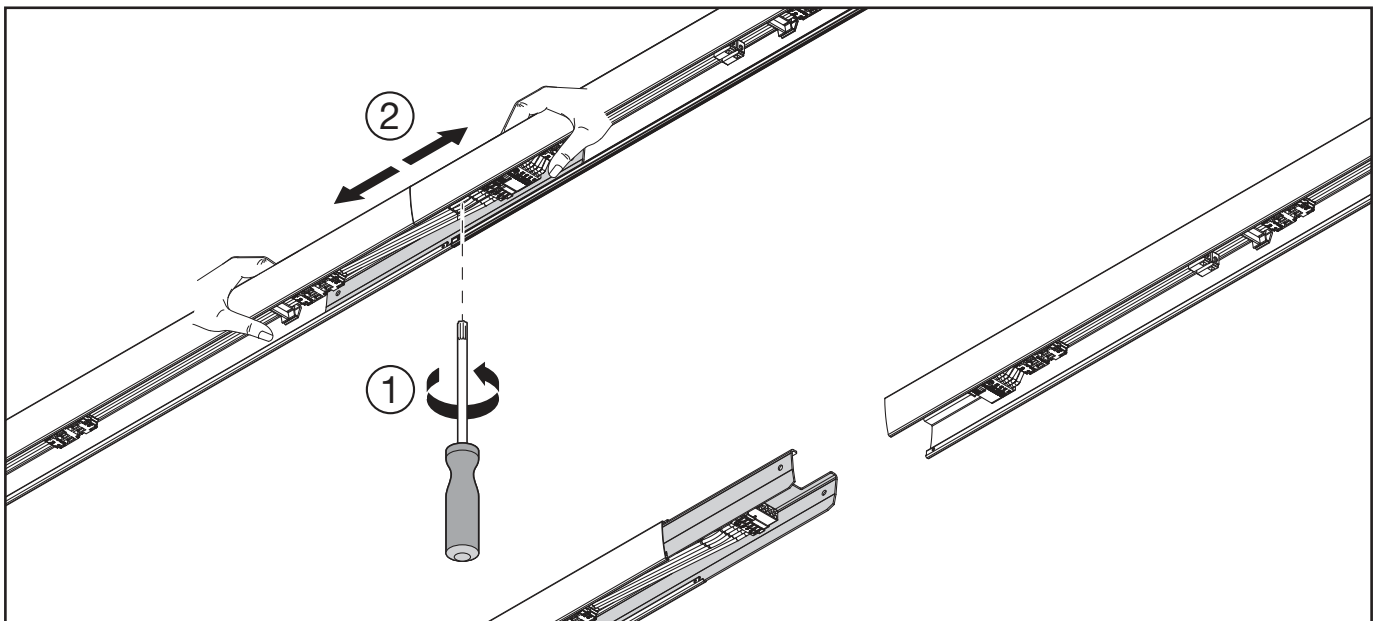
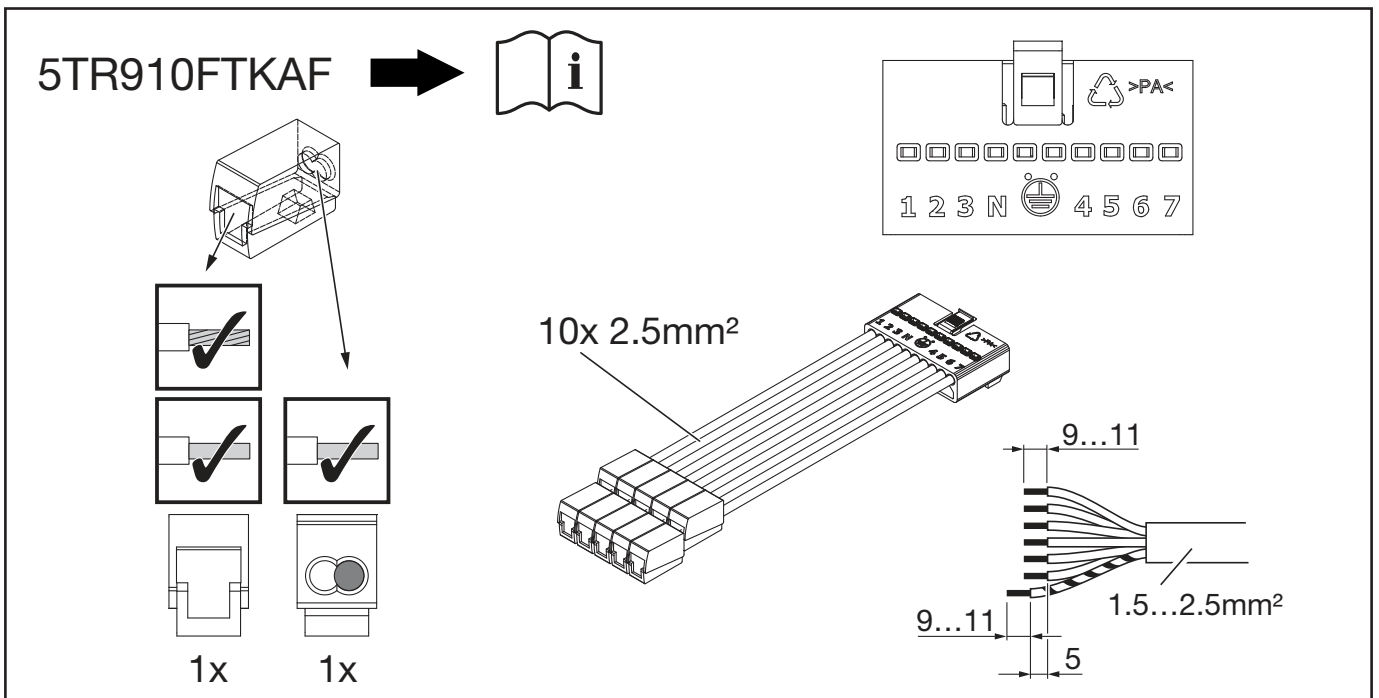
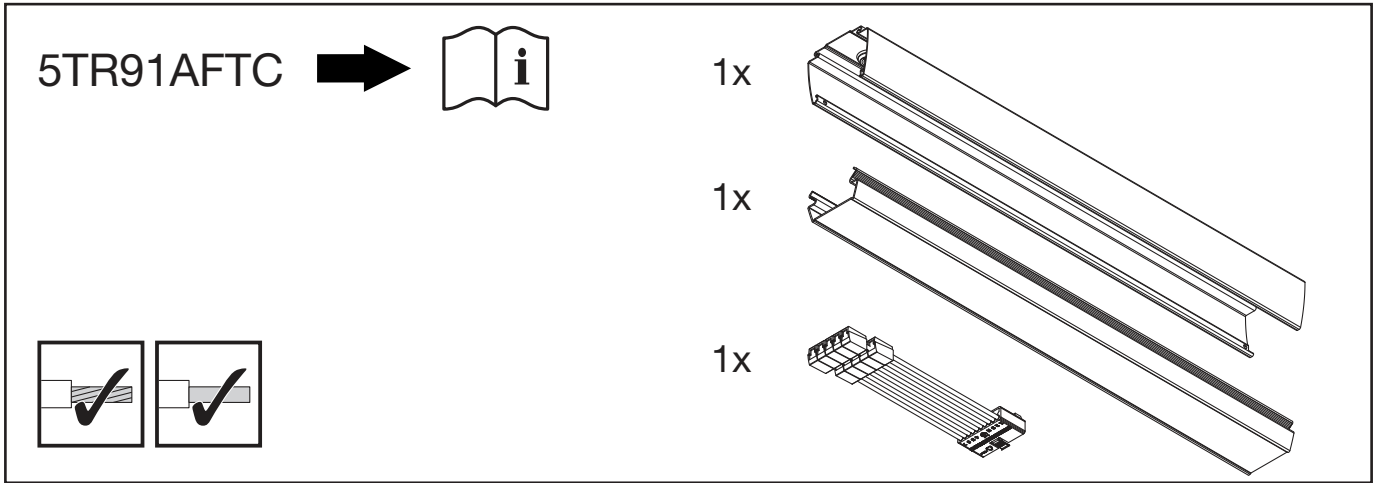


**2**

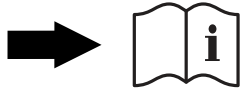


3

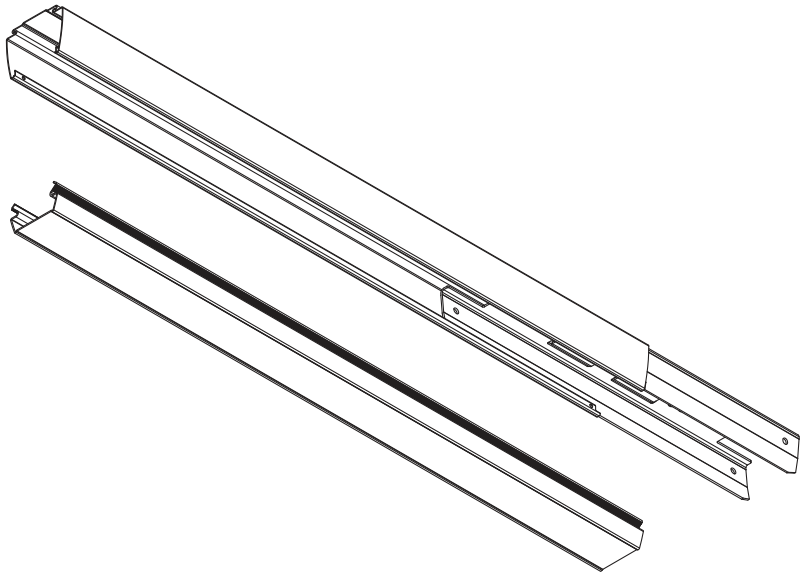




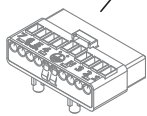
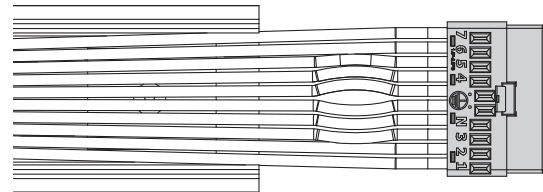
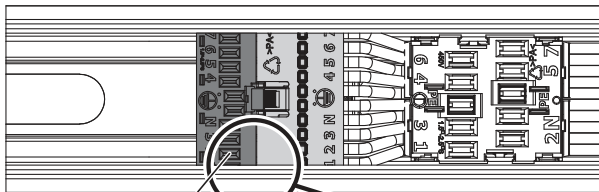
5TR91CCN0  
5TR91DCN0



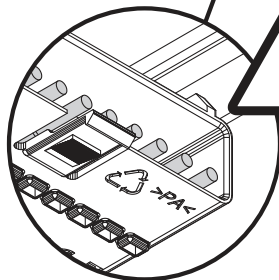
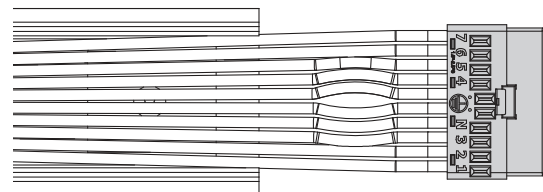
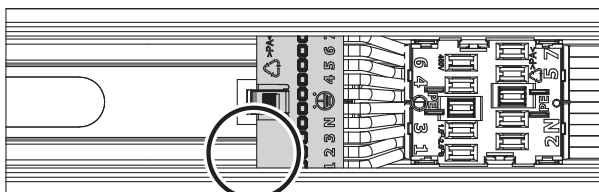
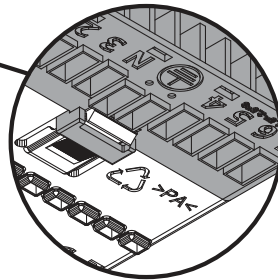
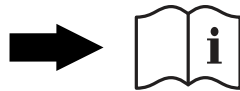
1x



1x



5TR90161  
5TR910FNKA  
5TR910FNKAF



5MA11-267808\_ad  
30.07.2024 / AZ

Siteco GmbH  
Georg-Simon-Ohm-Straße 50  
83301 Traunreut, Germany  
mail: [technicalsupport@siteco.de](mailto:technicalsupport@siteco.de)  
Phone: +49 8669 / 33-844  
[www.siteco.com](http://www.siteco.com)