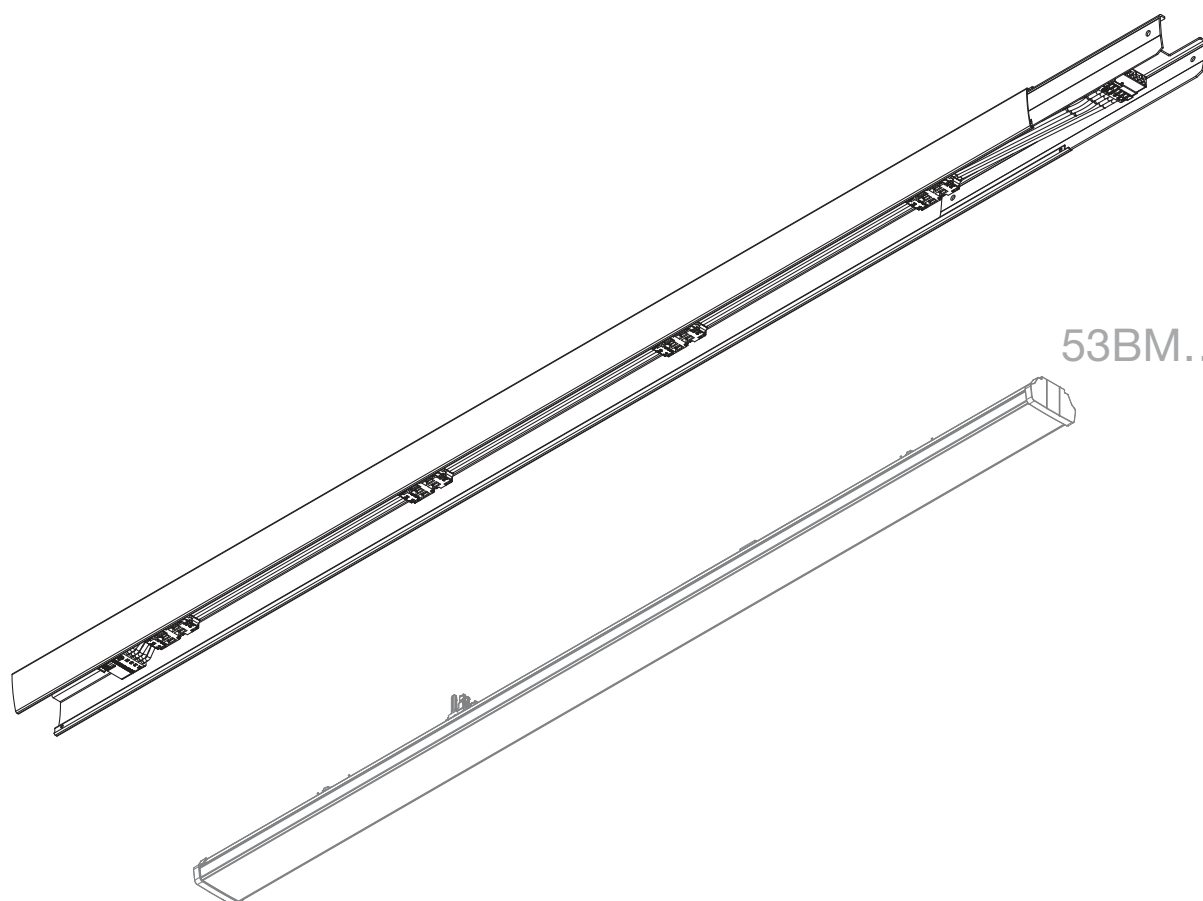


Modario®

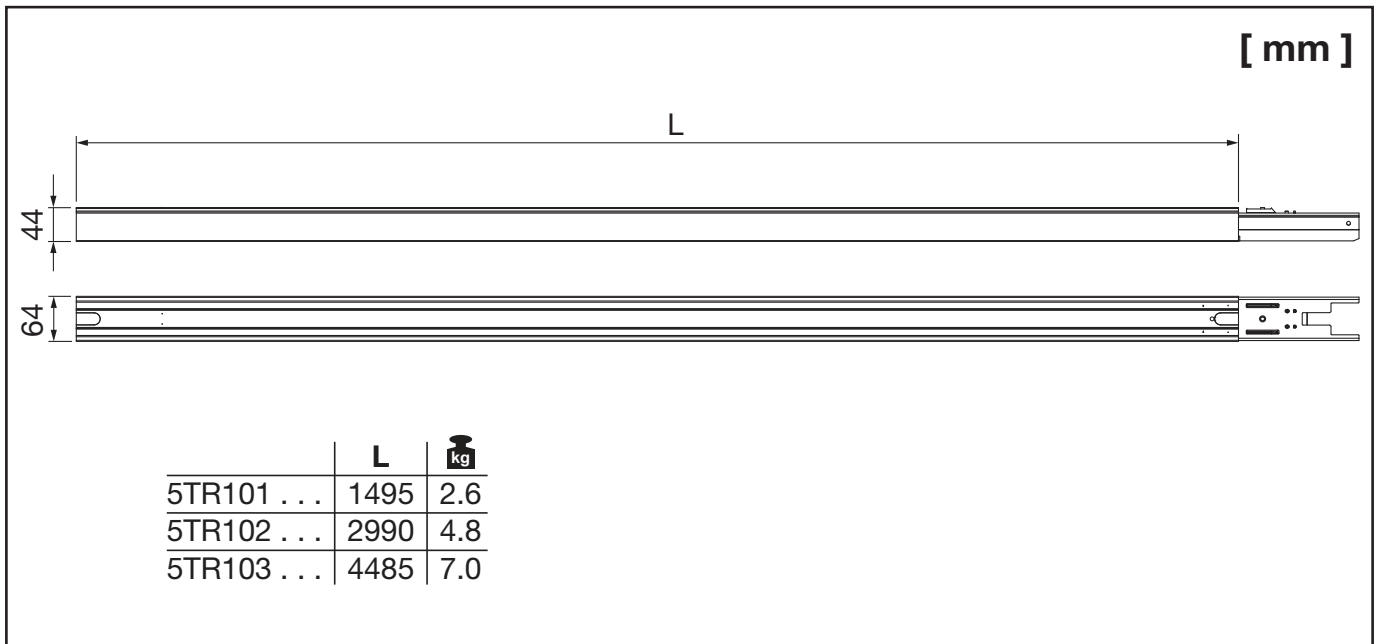
Tragschiene
Trunking rail

5TR1...





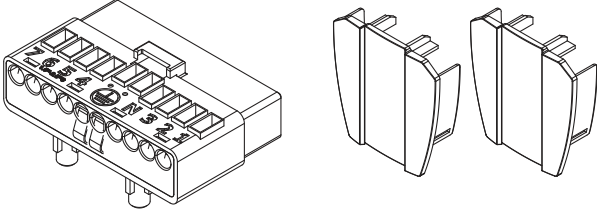
53BM...

siteco





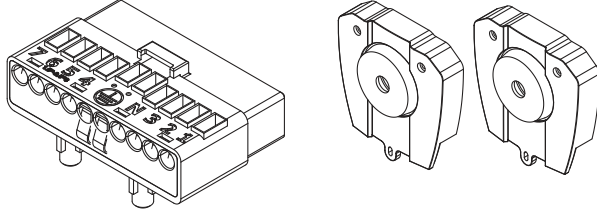
<p>5TR9 . 1312 5TR9 . 1332</p> <p>➔ </p>	<p>5LY9001 5LY9002</p> <p>➔ </p>	<p>5TR901342</p> <p>➔ </p>	
<p>5TR9012</p> <p>➔ </p>	<p>5TR901302</p> <p>➔ </p>	<p>5TR901322</p> <p>➔ </p>	
<p>5LS91101EA</p> <p>➔ </p>	<p>5TR9013</p> <p>➔ </p>	<p>5TR90142</p> <p>➔ </p>	<p>5LY9004</p> <p>➔ </p>

5TR9016 . →  




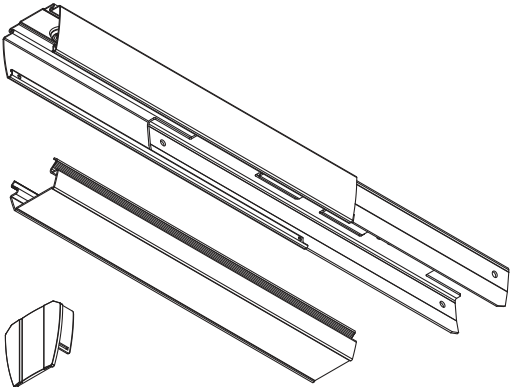
1x 2x

5TP9016 →  




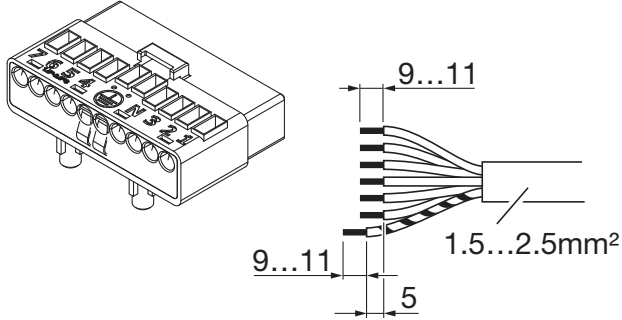
1x 2x

5TR91AFN0 → 




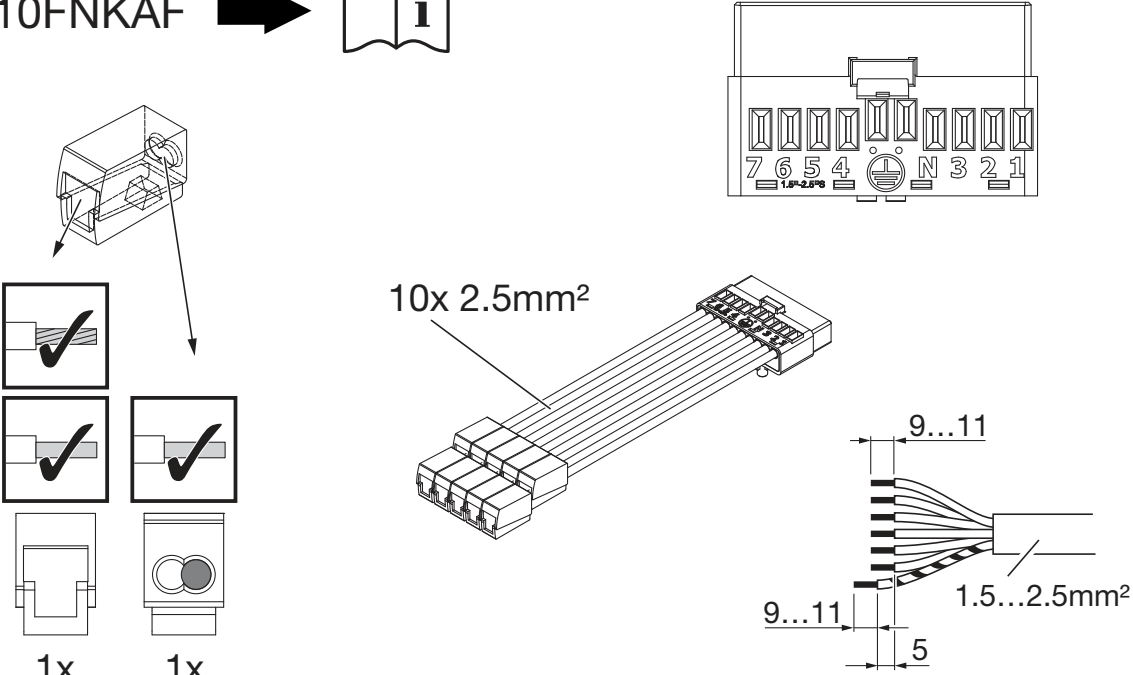
1x
1x
2x

5TR910FNKA → 



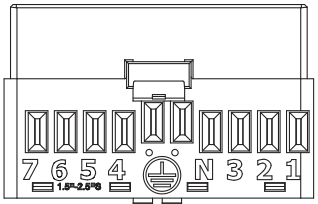
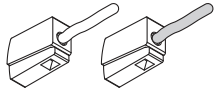
9...11
1.5...2.5mm²
9...11
5

5TR910FNKAF → 

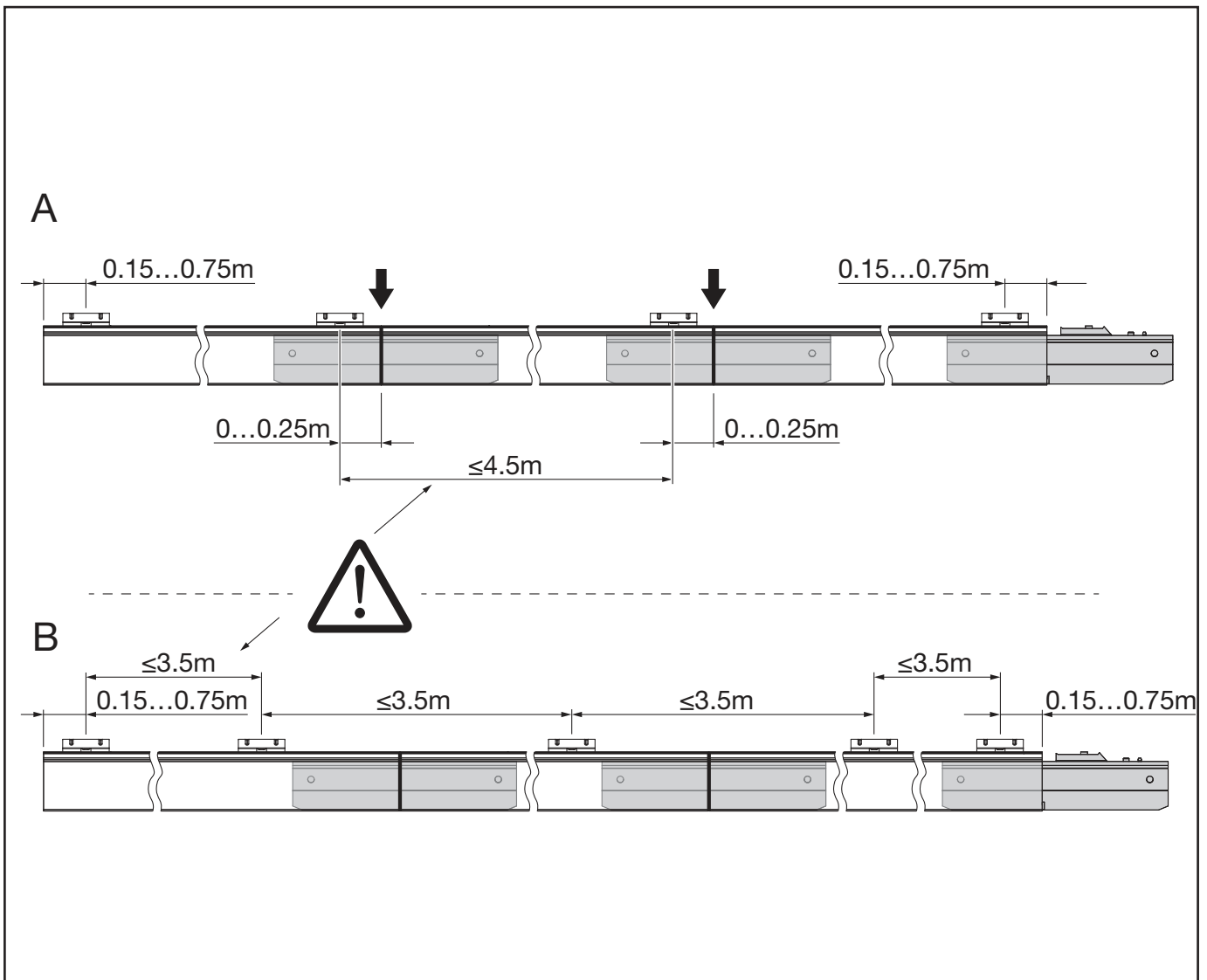


10x 2.5mm²
7 6 5 4 N 3 2 1
1.5...2.5mm²
9...11
9...11
5

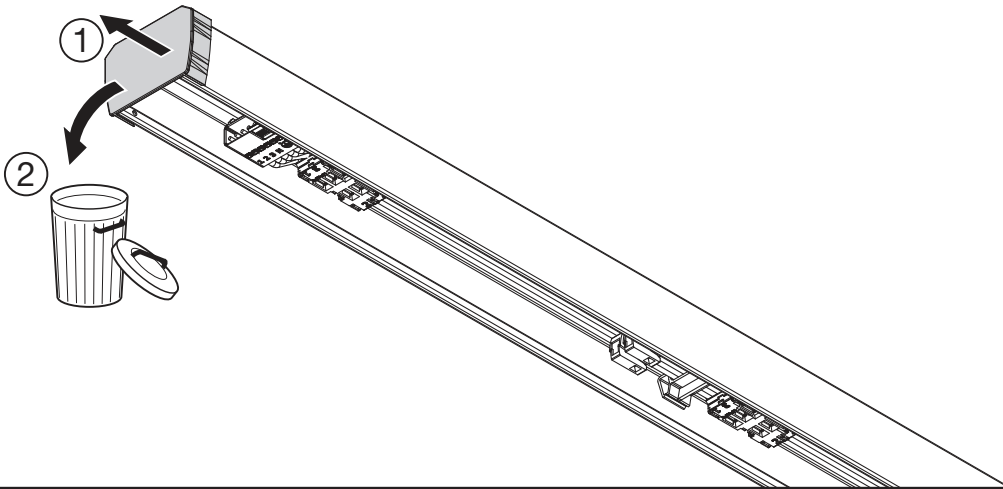
1x 1x

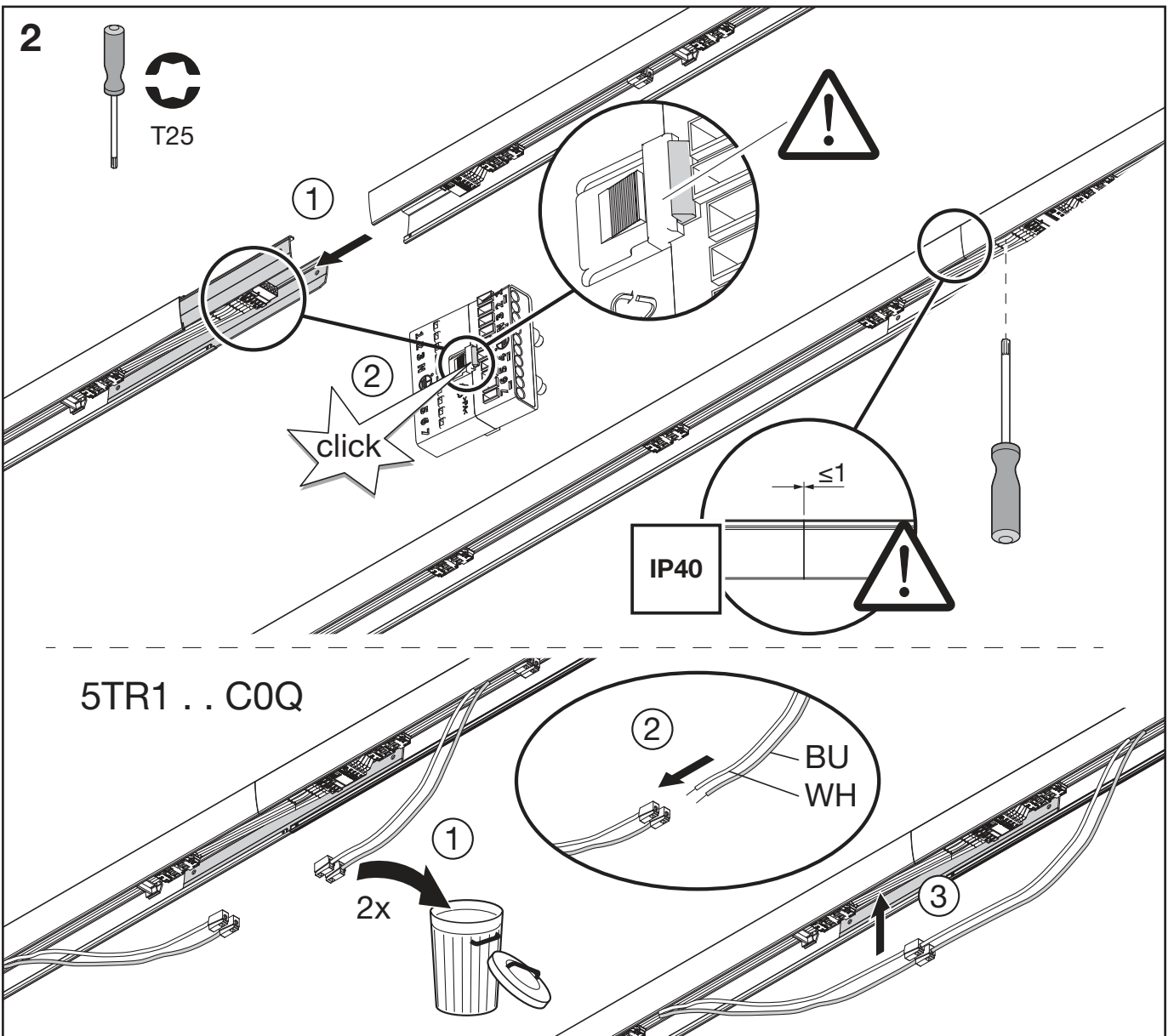
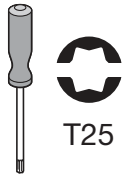
	1 L1	2 L2	3 L3	N	PE	PE	4 N'	5 DA+	6 L'	7 DA-	WH L''	BU N''
5TR1 .. 0 ..												
5TR1 .. 5 ..	X	X	X	X	X							
5TR1 .. 7 ..	X	X	X	X	X		X		X			
5TR1 .. A ..	X	X	X	X	X	X	X	X	X	X		
5TR1 .. C ..	X	X	X	X	X	X	X	X	X	X	X	X



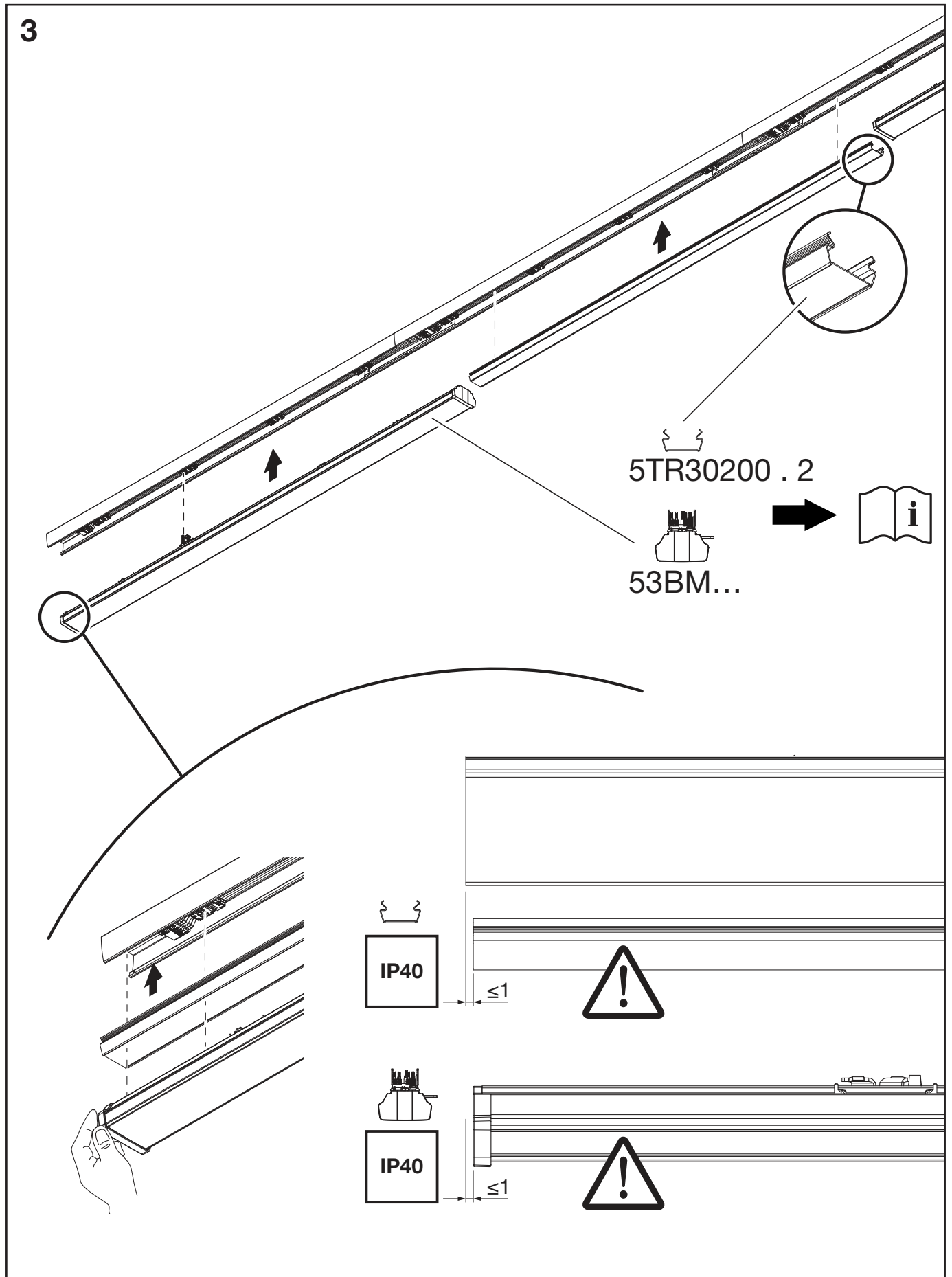
- 1** Umgebungstemperatur während der Installation: +5°C...+40°C
Ambient temperature during installation:




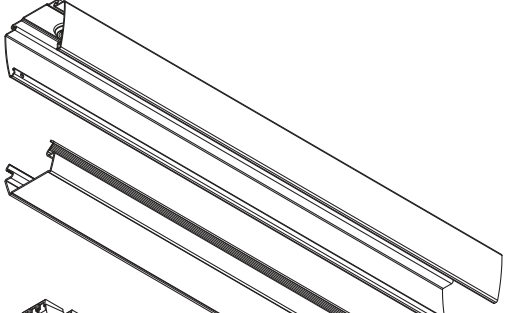
2

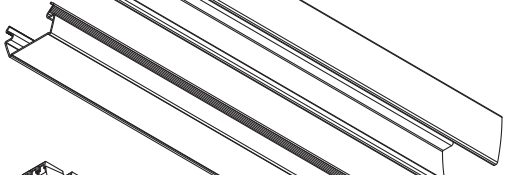


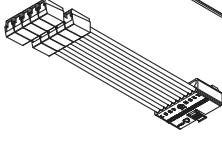
3






5TR91AFTC → 

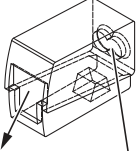
1x 




1x 

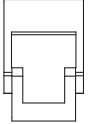
1x 

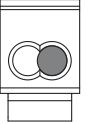
 

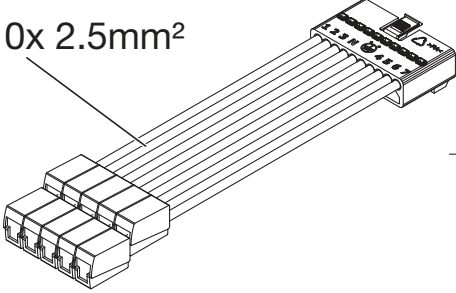
5TR910FTKAF → 

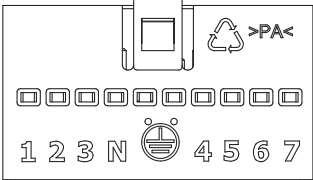


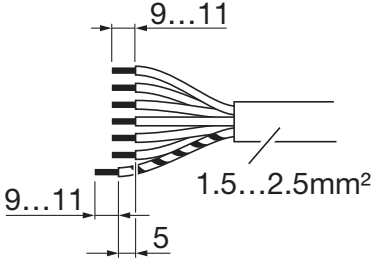
  

 1x

 1x

10x 2.5mm² 

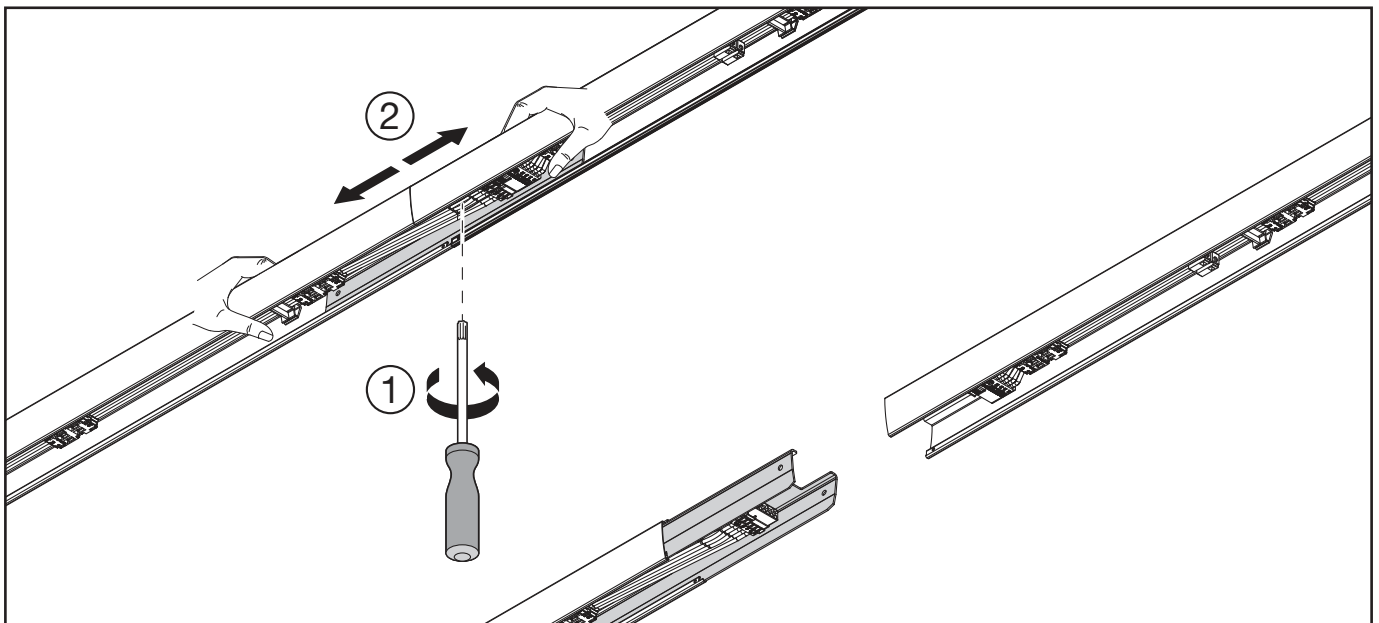


9...11 

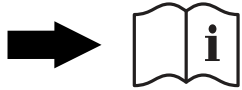
9...11

1.5...2.5mm²

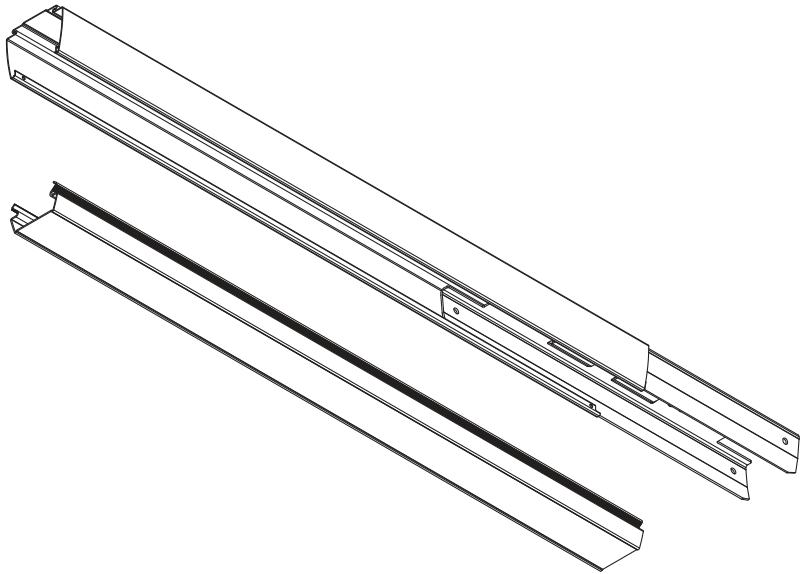
5



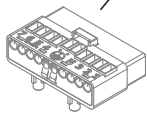
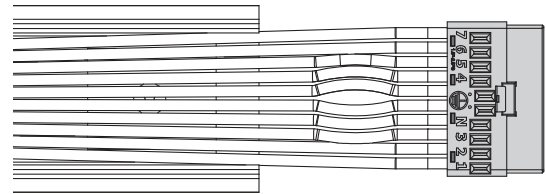
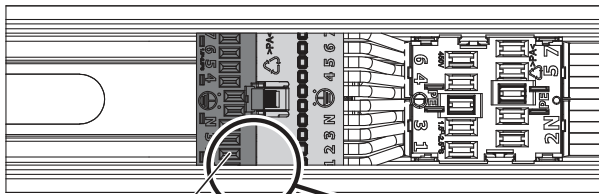
5TR91CCN0
5TR91DCN0



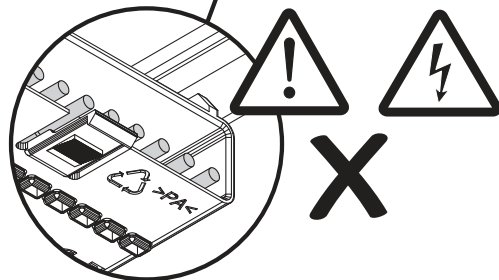
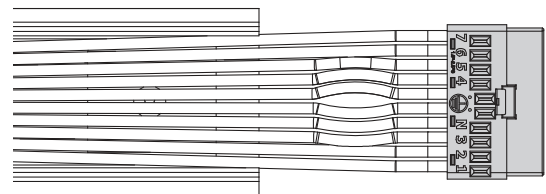
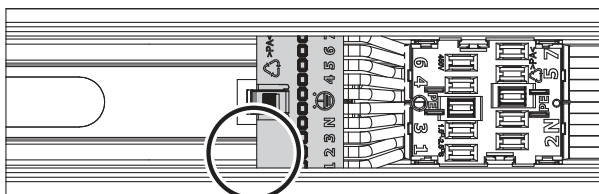
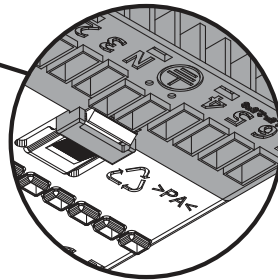
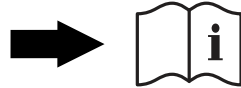
1x



1x



5TR910FNKA .



5MA11-267808_ac
19.06.2024 / AZ

Siteco GmbH
Georg-Simon-Ohm-Straße 50
83301 Traunreut, Germany
mail: technicalsupport@siteco.de
Phone: +49 8669 / 33-844
www.siteco.com