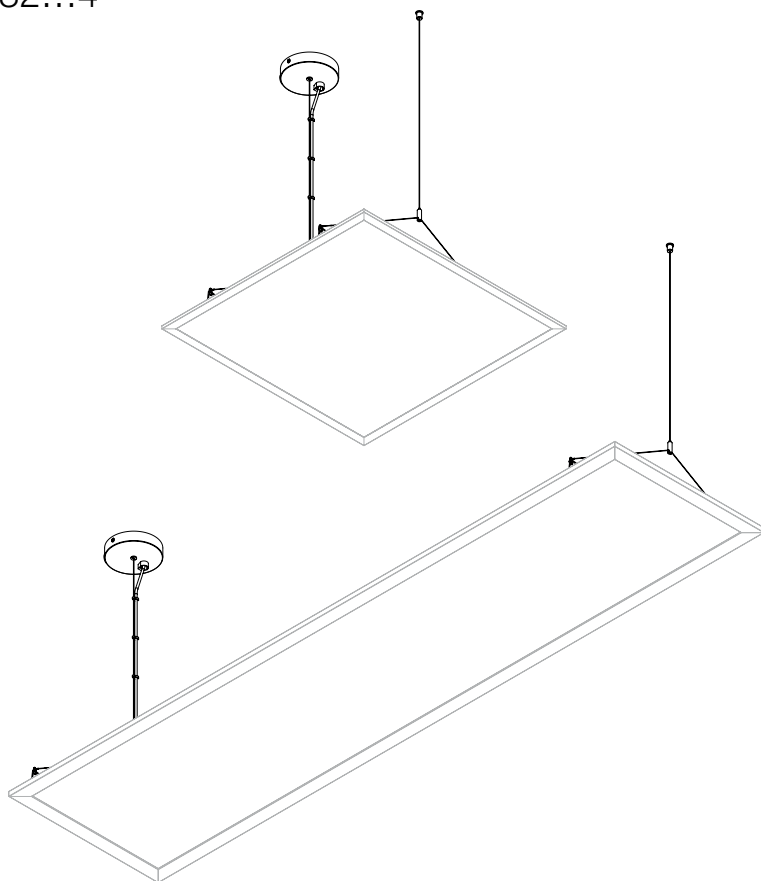


Apollon®

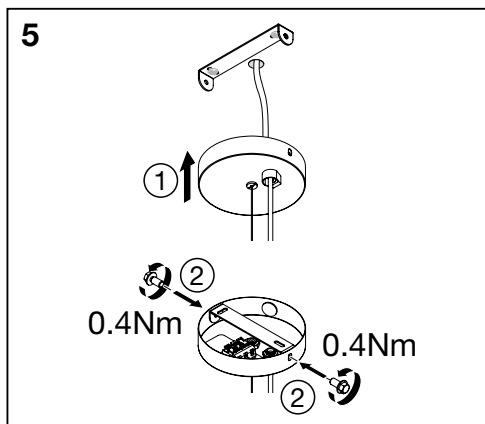
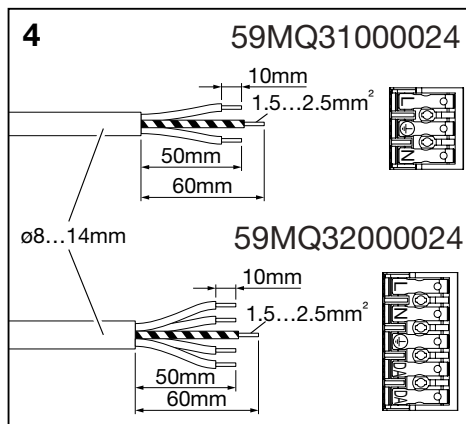
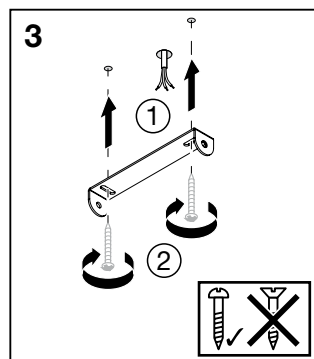
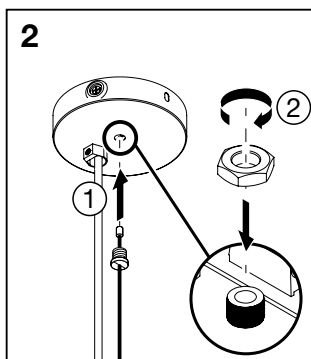
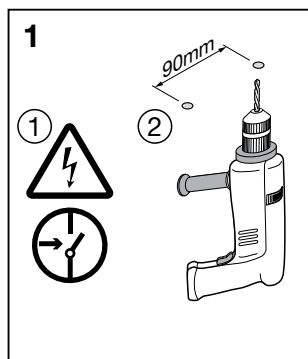
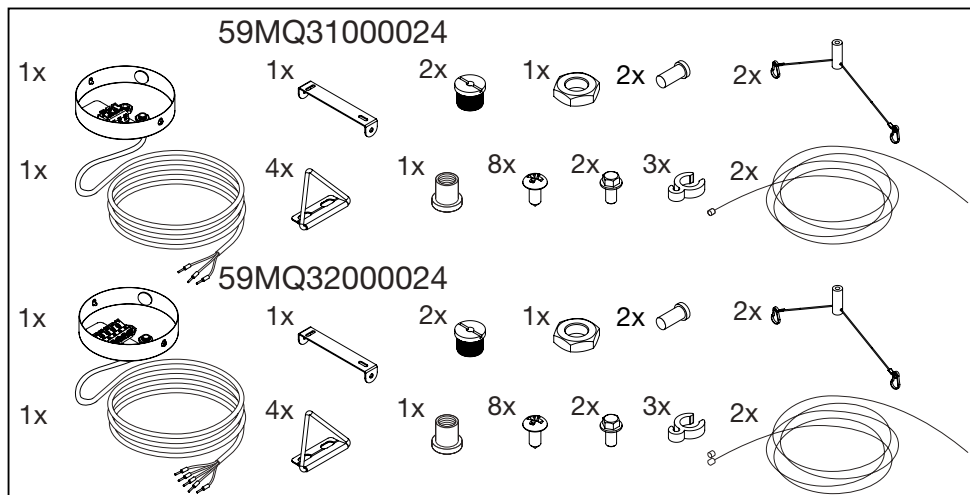
Suspension Kit On/Off - DALI

59MQ31...4

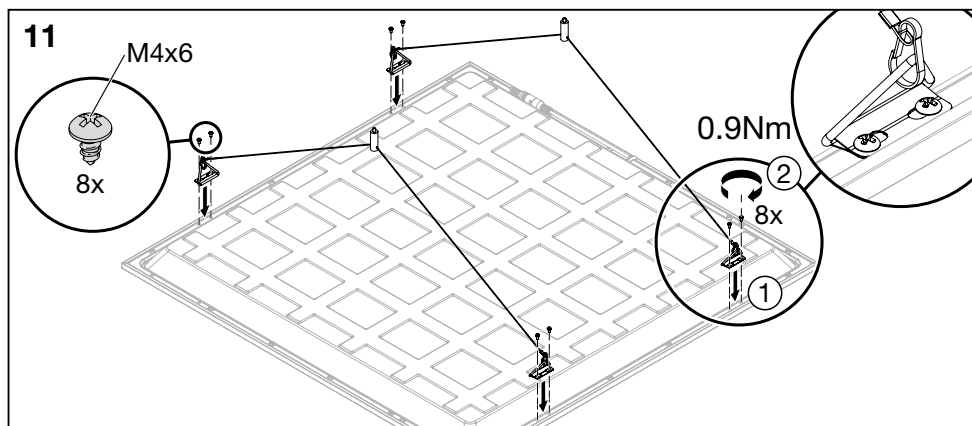
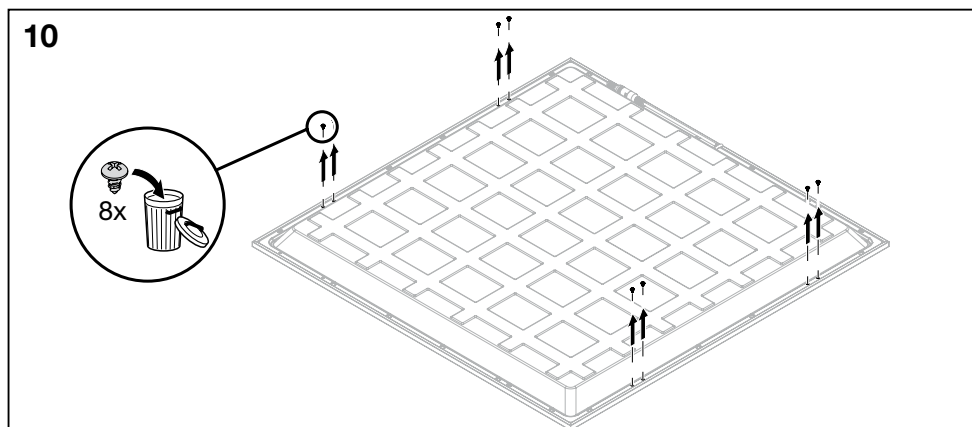
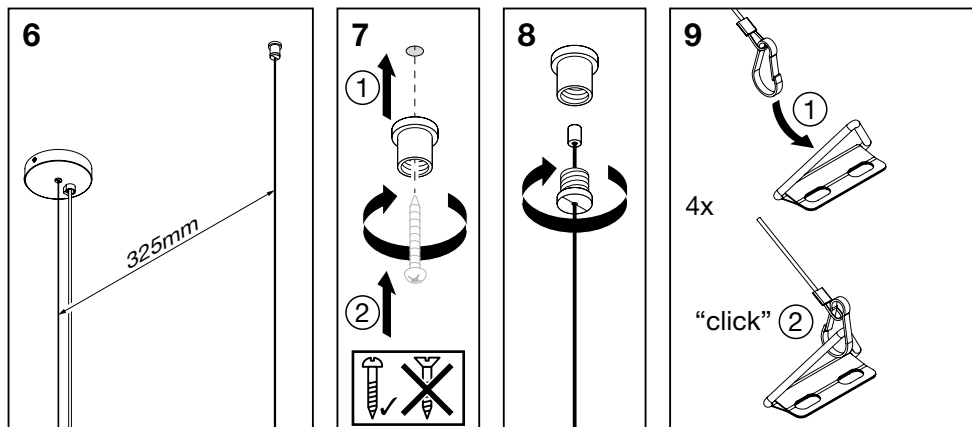
59MQ32...4

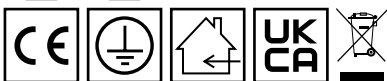
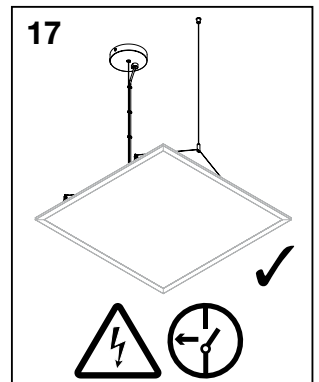
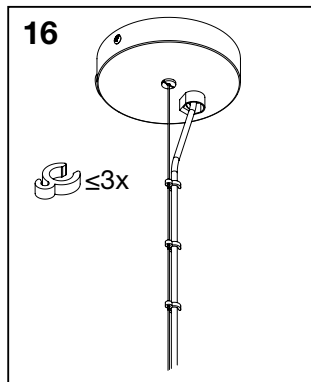
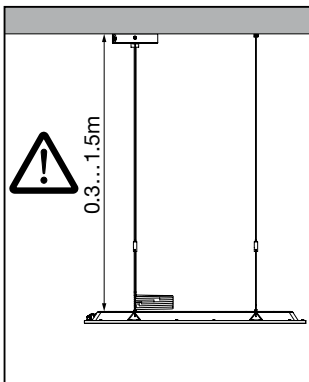
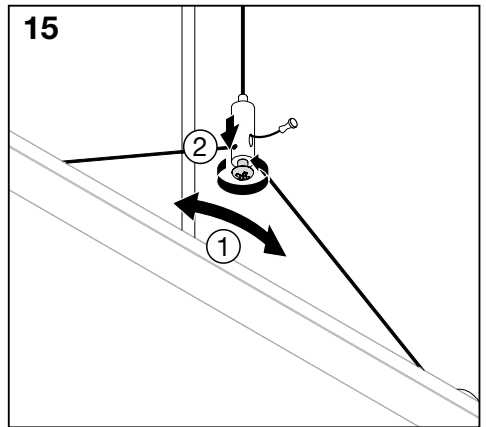
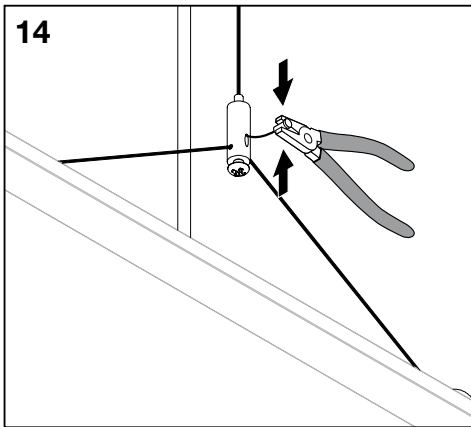
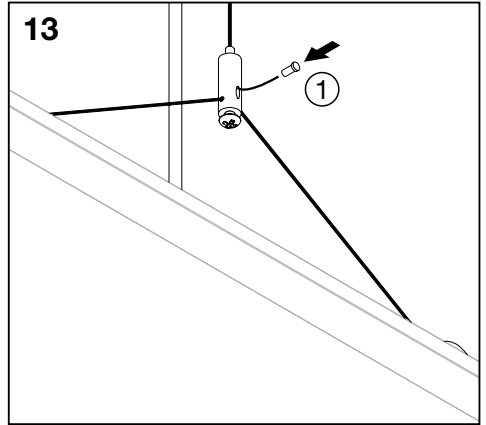
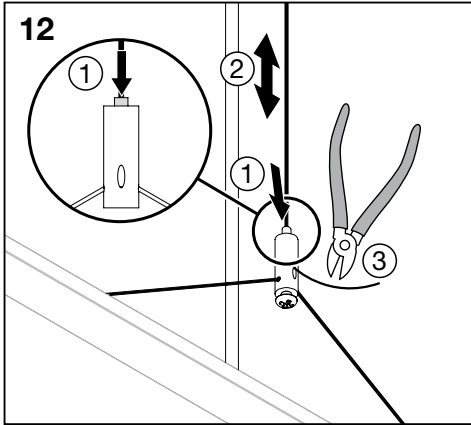


siteco



Apollon® 21 HE - Suspension Kit





5MA24-267498_aa
25.04.2024 / PZ

Siteco GmbH
Georg-Simon-Ohm-Straße 50
83301 Traunreut, Germany
mail: technicalsupport@siteco.de
Phone: +49 8669 / 33-844
www.siteco.com