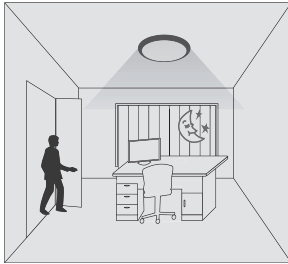
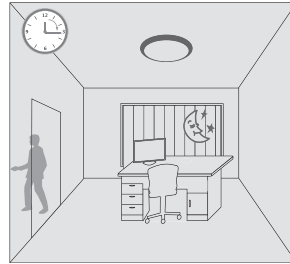


The light keeps off during daytime even when movement is detected. (Ambient lux level is above preset daylight threshold)



With movement and insufficient ambient lux level, the light is triggered on by the detector.



If there is no more movement, the light turns off automatically after hold-time preset.

1. Detection Area

Sensitivity can be adjusted by selecting the combination on the DIP switches for different applications.

- I – 100%
- II – 75%
- III – 50%
- IV – 25%

	1	2	
I	●	●	100%
II	●	○	75%
III	○	●	50%
IV	○	○	25%

2. Hold-time

Hold-time refers to the time period that the light remains 100% on if no more movement is detected.

- I – 5s
- II – 30s
- III – 1min
- IV – 3min
- V – 5min
- VI – 10min
- VII – 20min
- VIII – 30min

	3	4	5	
I	●	●	●	5s
II	●	●	○	30s
III	●	○	●	1min
IV	●	○	○	3min
V	○	●	●	5min
VI	○	●	○	10min
VII	○	○	●	20min
VIII	○	○	○	30min

3. Daylight threshold

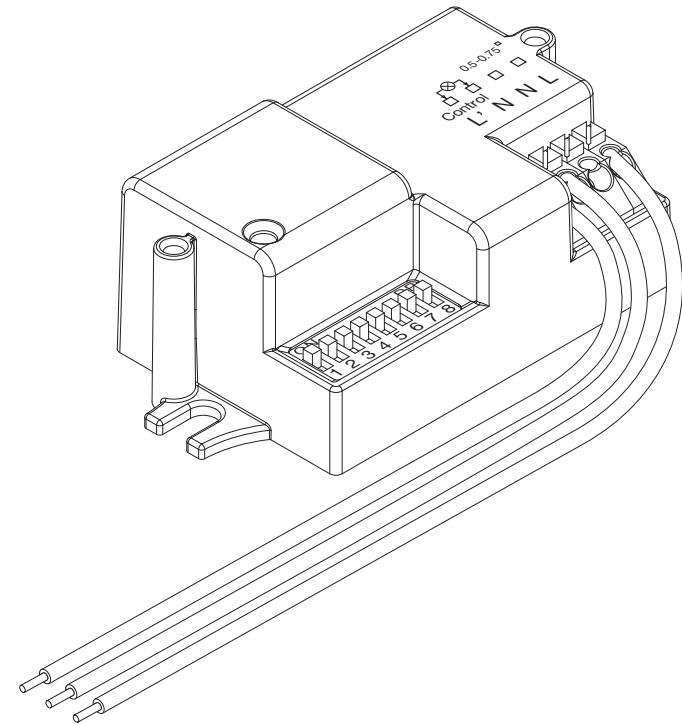
Different daylight threshold can be preset on DIP switches. Light will always turn on upon movement if daylight sensor is disabled.

- I – 2Lux
- II – 10Lux
- III – 25Lux
- IV – 50Lux
- V – Disable

	6	7	8	
I	●	●	●	2Lux
II	●	●	○	10Lux
III	○	●	○	25Lux
IV	●	○	○	50Lux
V	○	○	○	Disable

Silhouette 21

59LN201

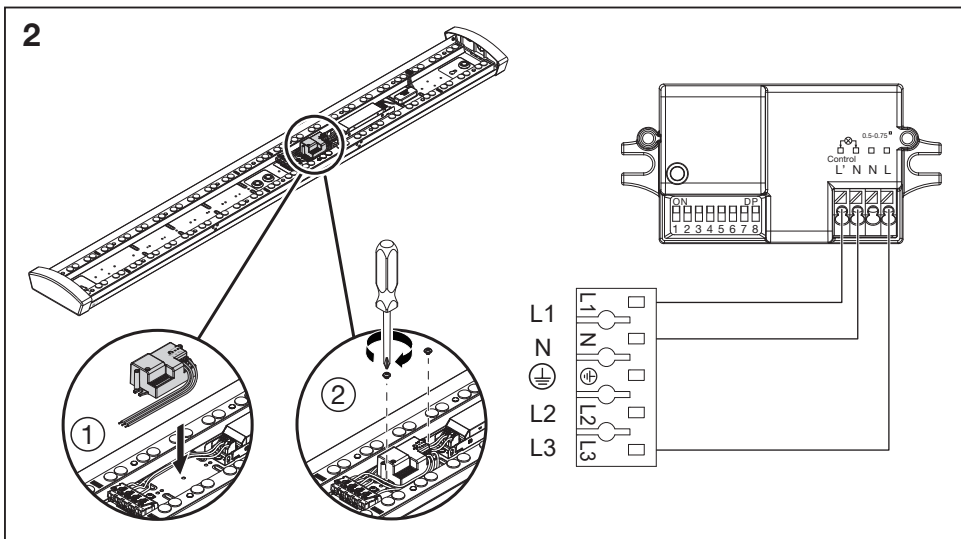
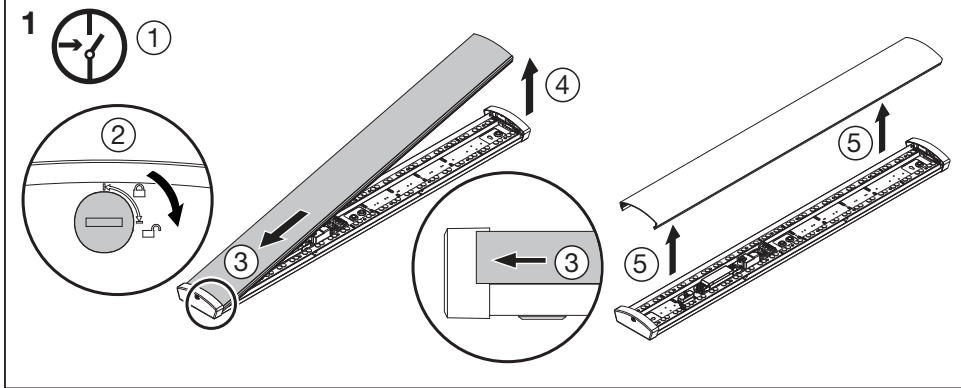
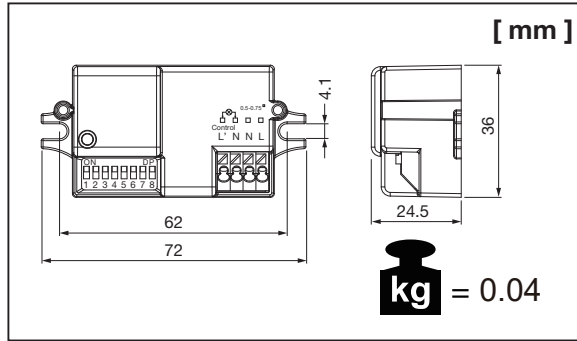
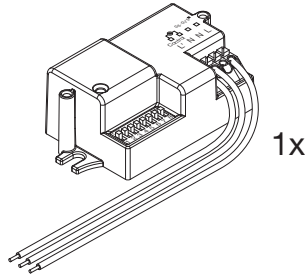


5MA69-267452_aa
23.04.2024 / REC(GME)

Siteco GmbH
Georg-Simon-Ohm-Straße 50
83301 Traunreut, Germany
mail: technicalsupport@siteco.de
Phone: +49 8669 / 33-844
www.siteco.com

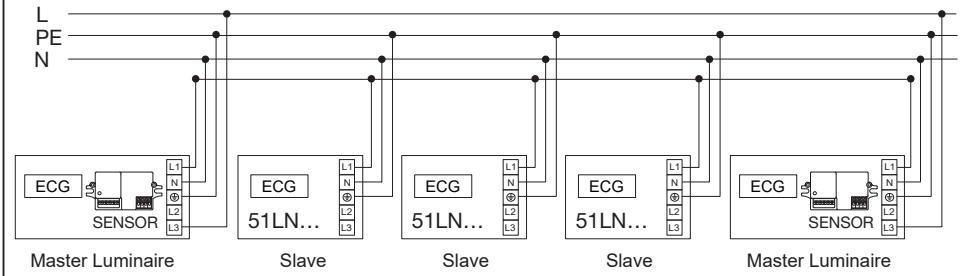
siteco

59LN201



3

A maximum of 5 pcs of slave luminaires can be connected to 2 pcs of Master luminaires.



The Master luminaire is connected to slave via a 4 core cable. Slave luminaires with 3 core cable.

