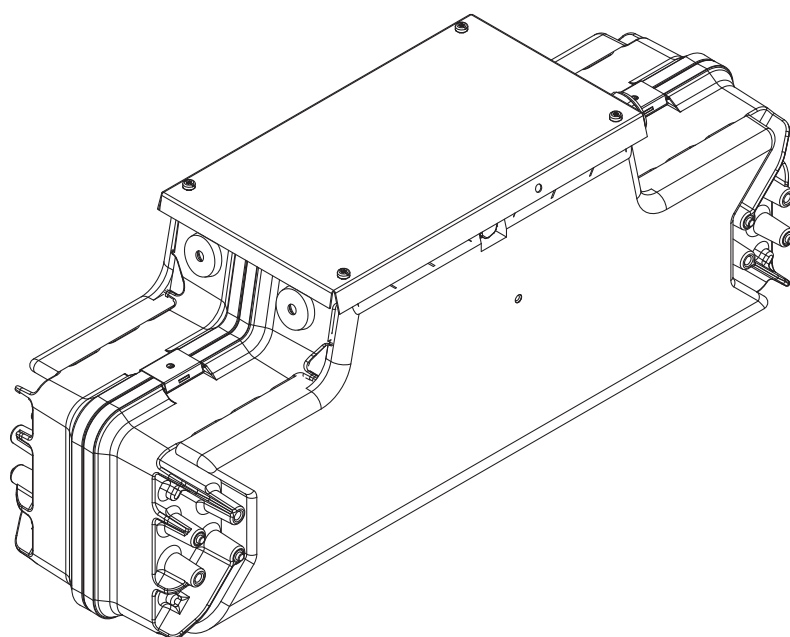


# SIRIUS®

EVG-Einheit DALI / LST

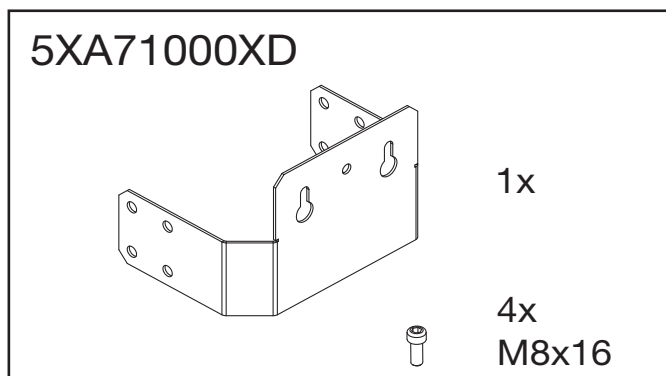
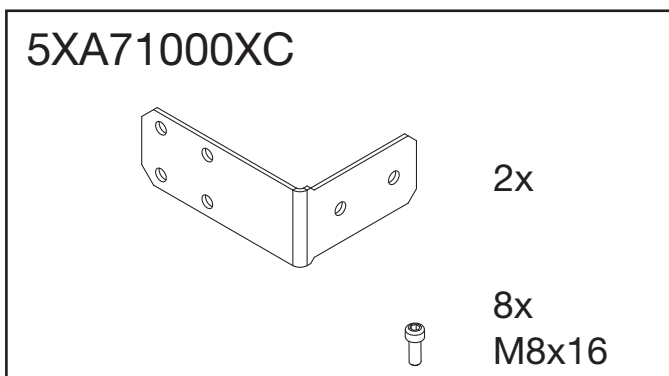
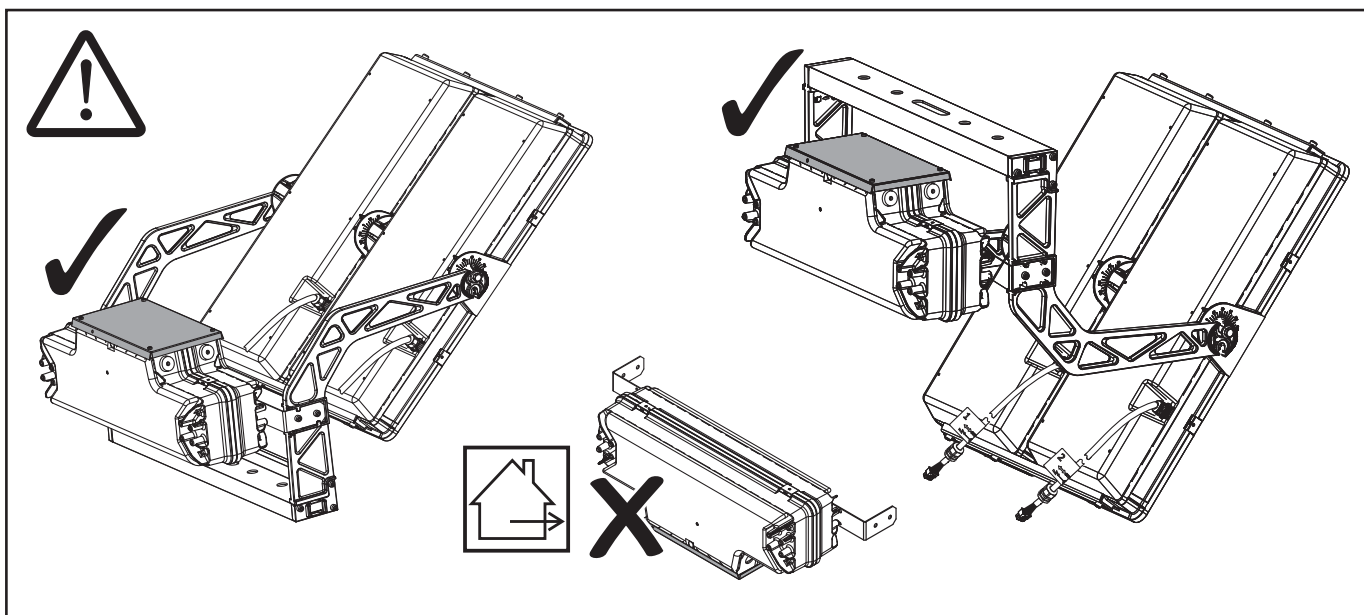
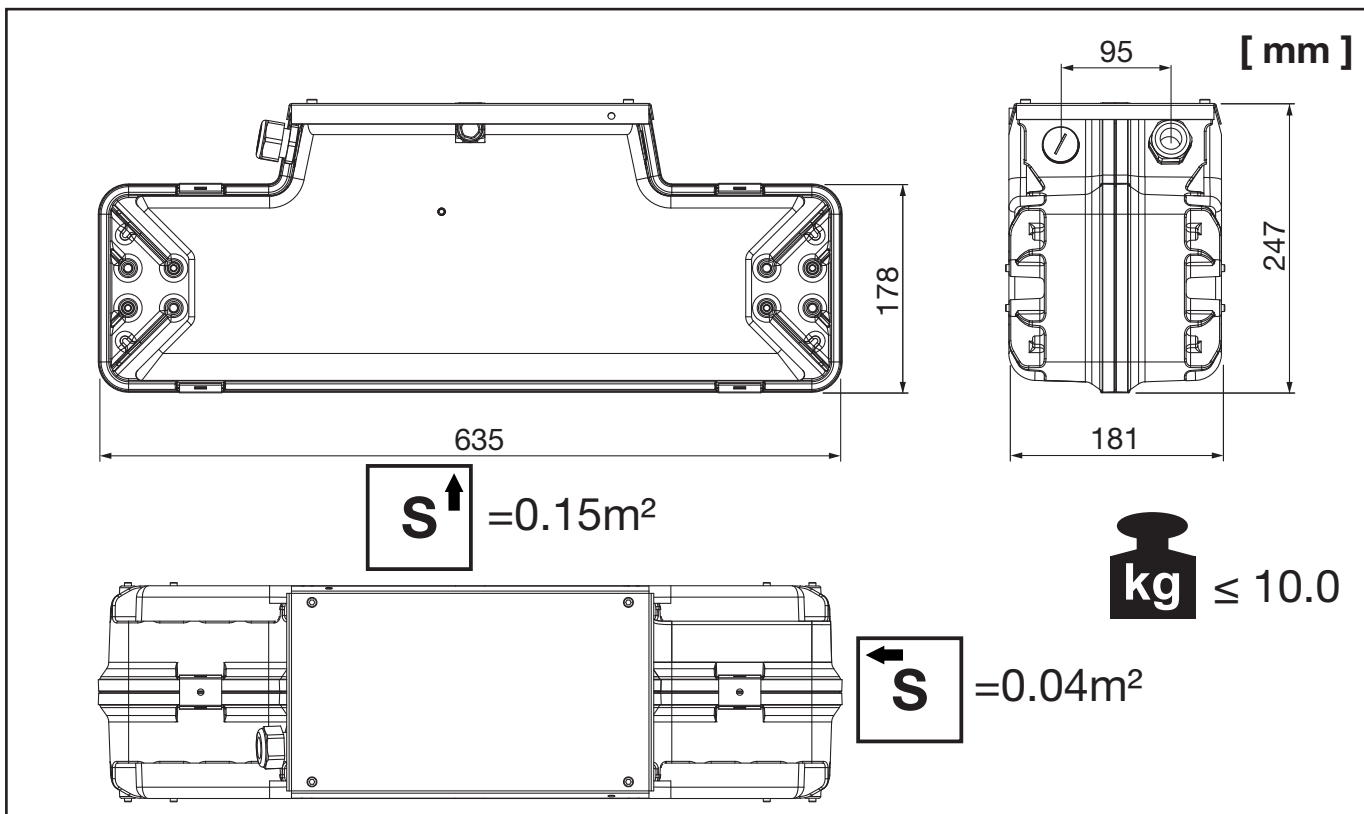
ECG unit DALI / LST

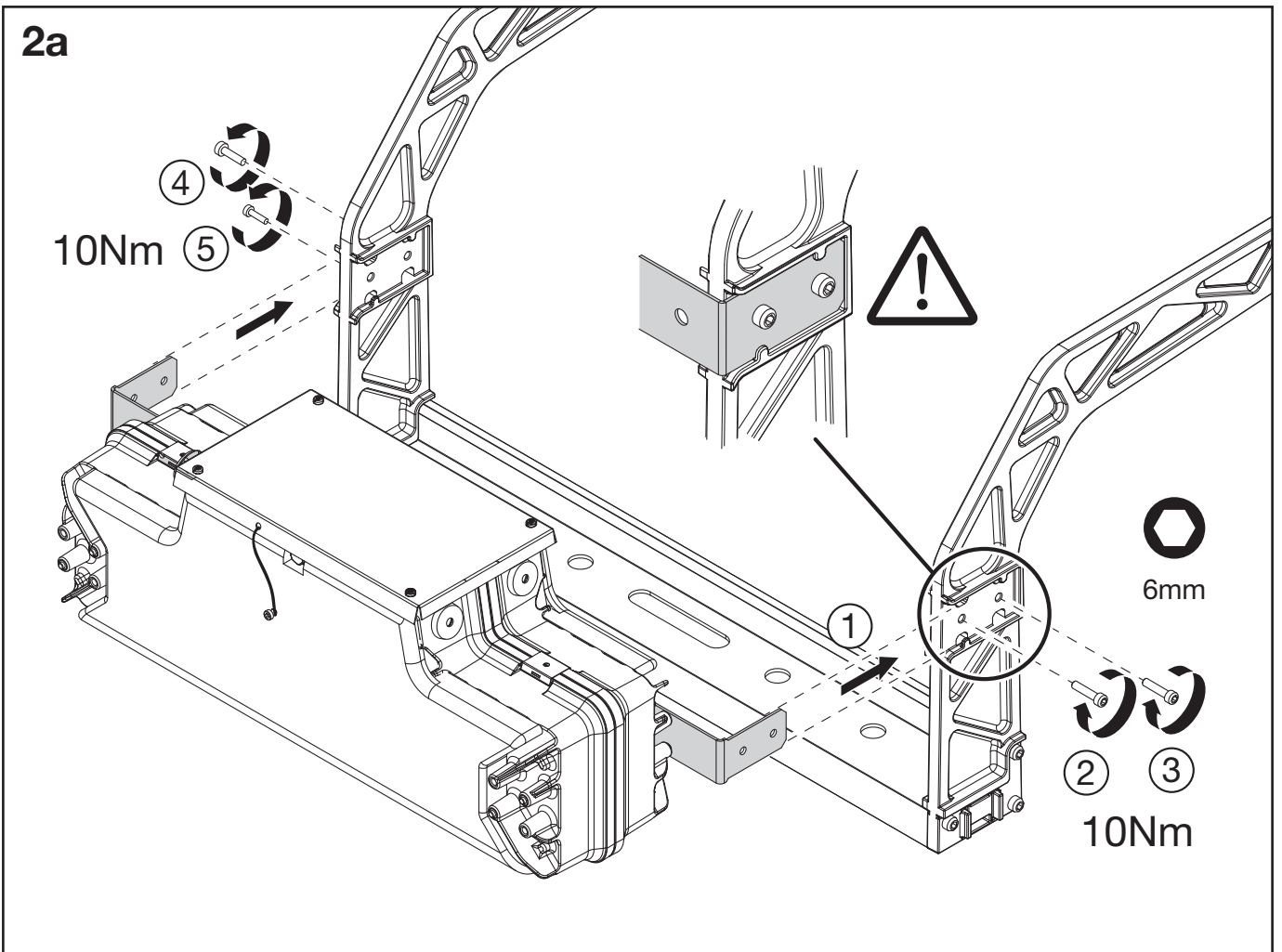
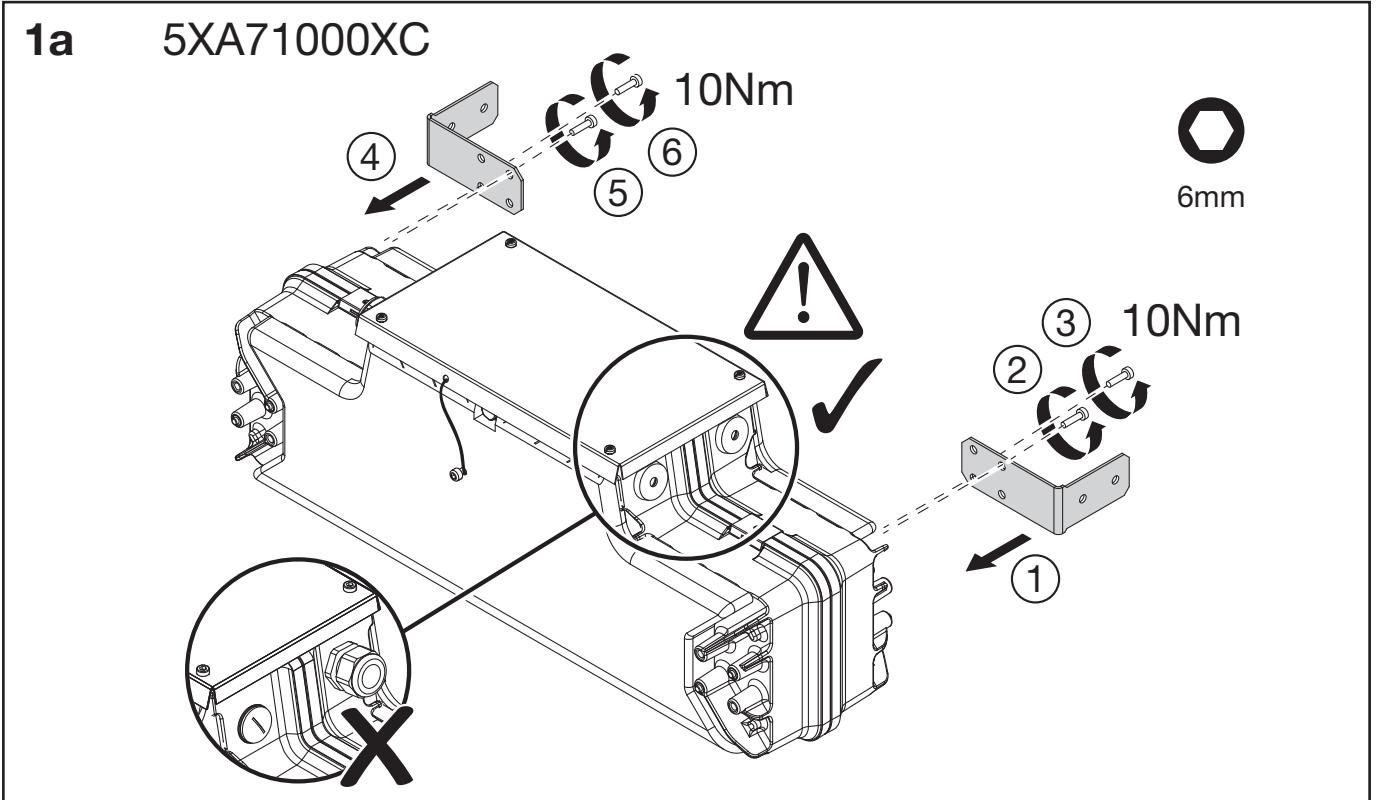
5XA7102W01000

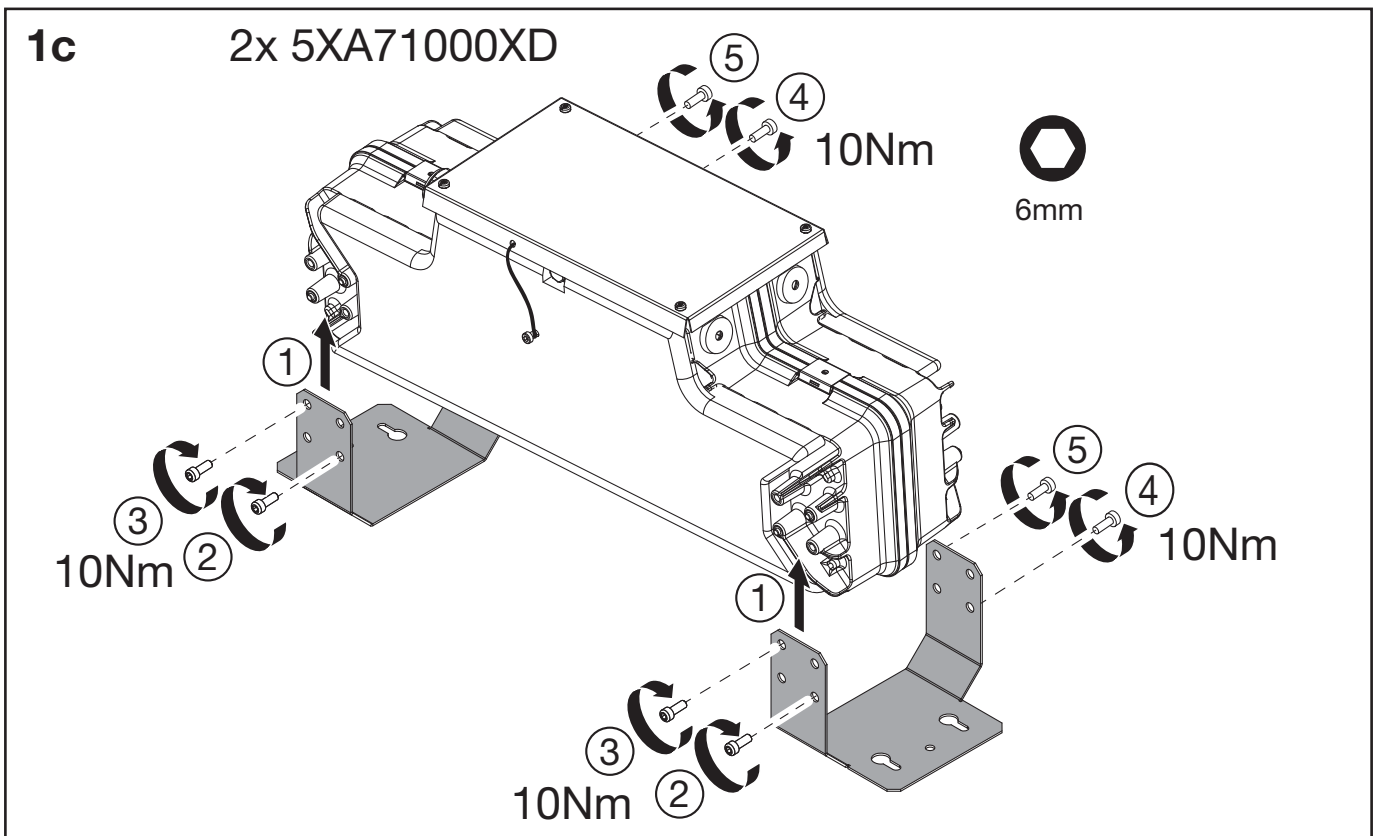
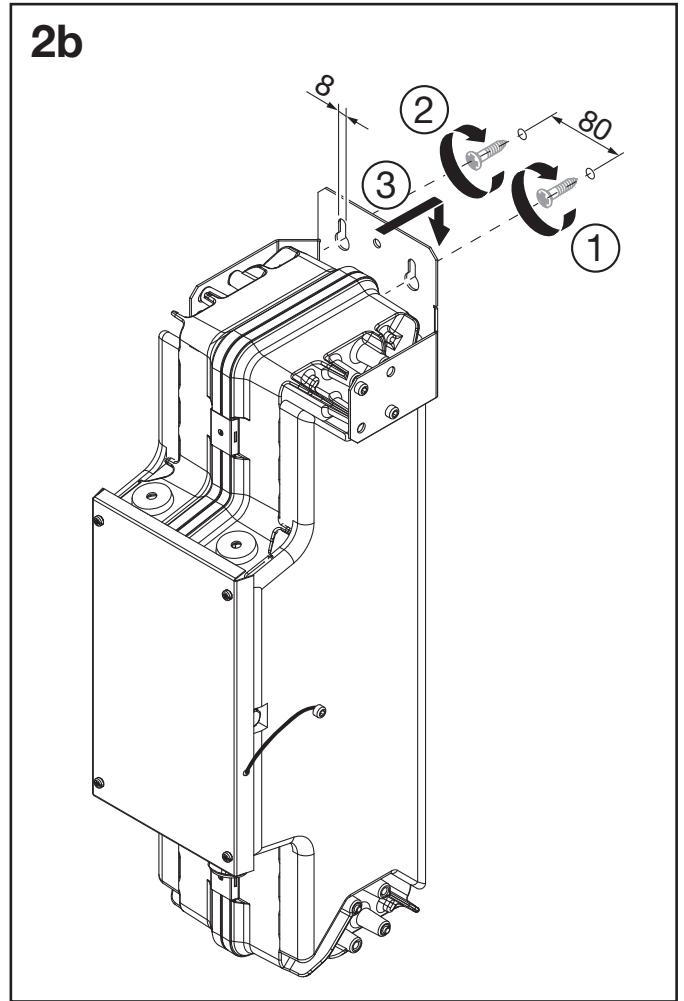
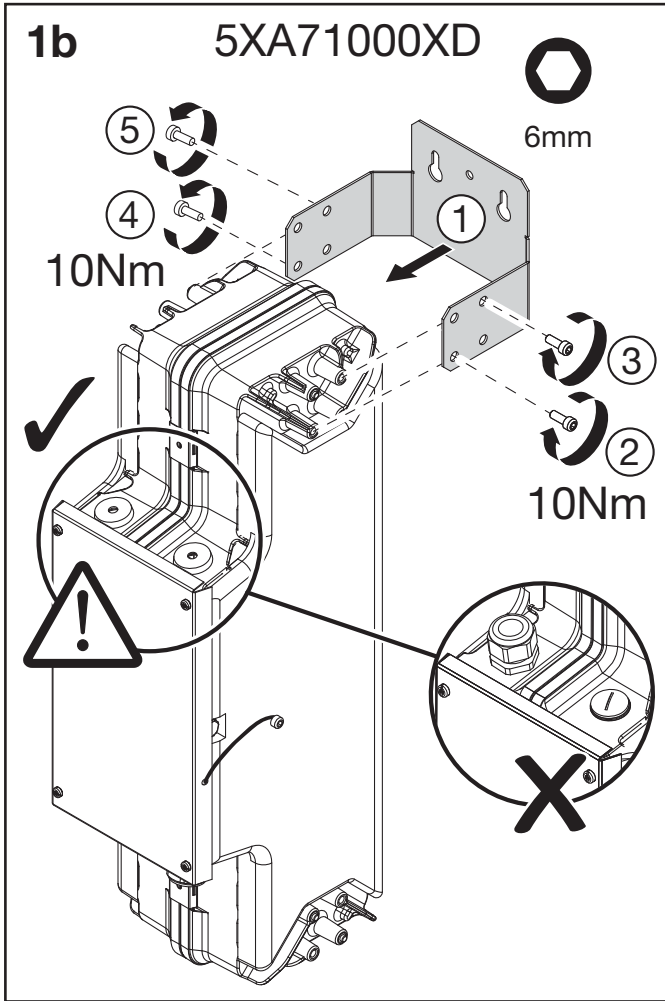


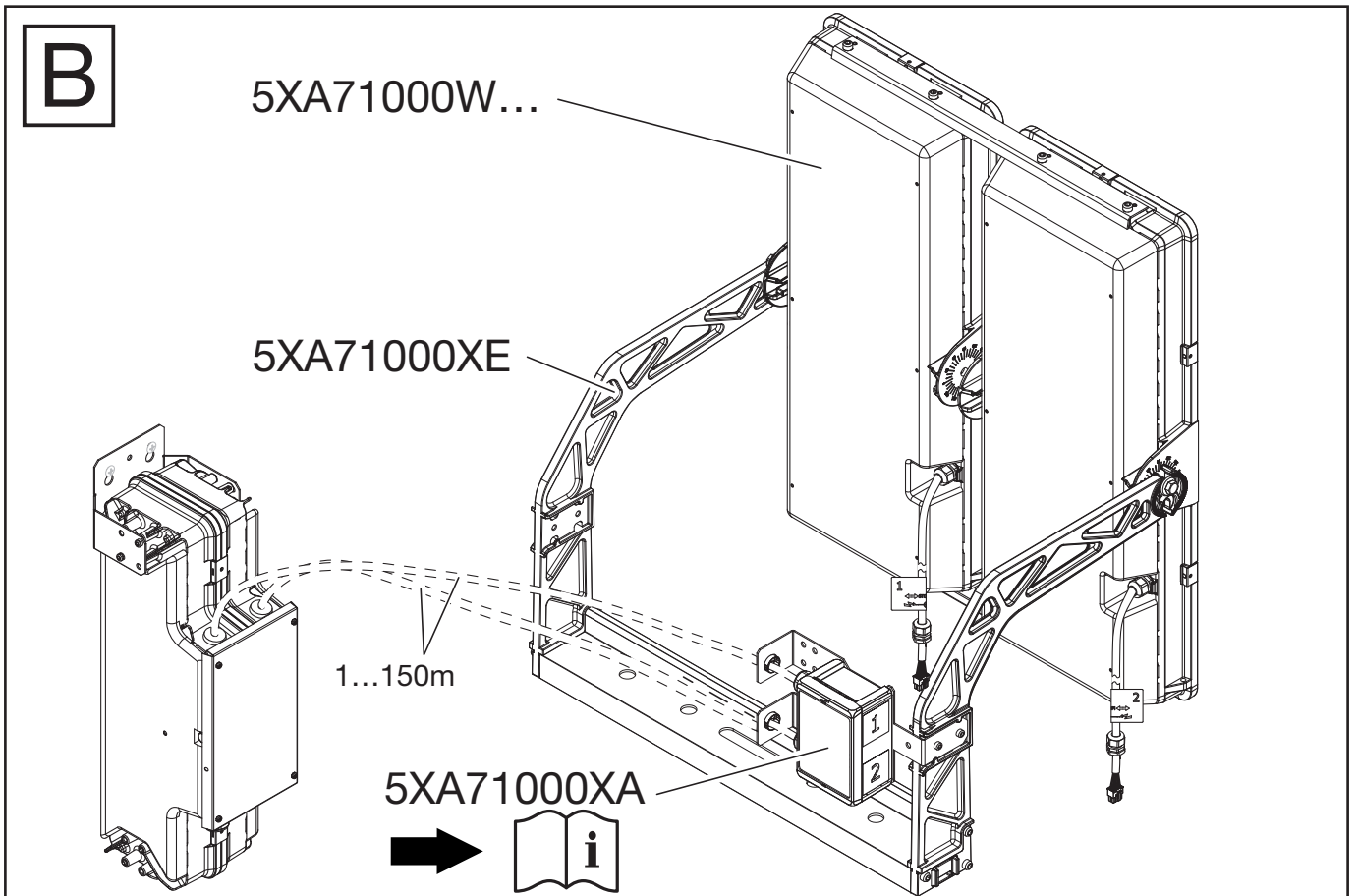
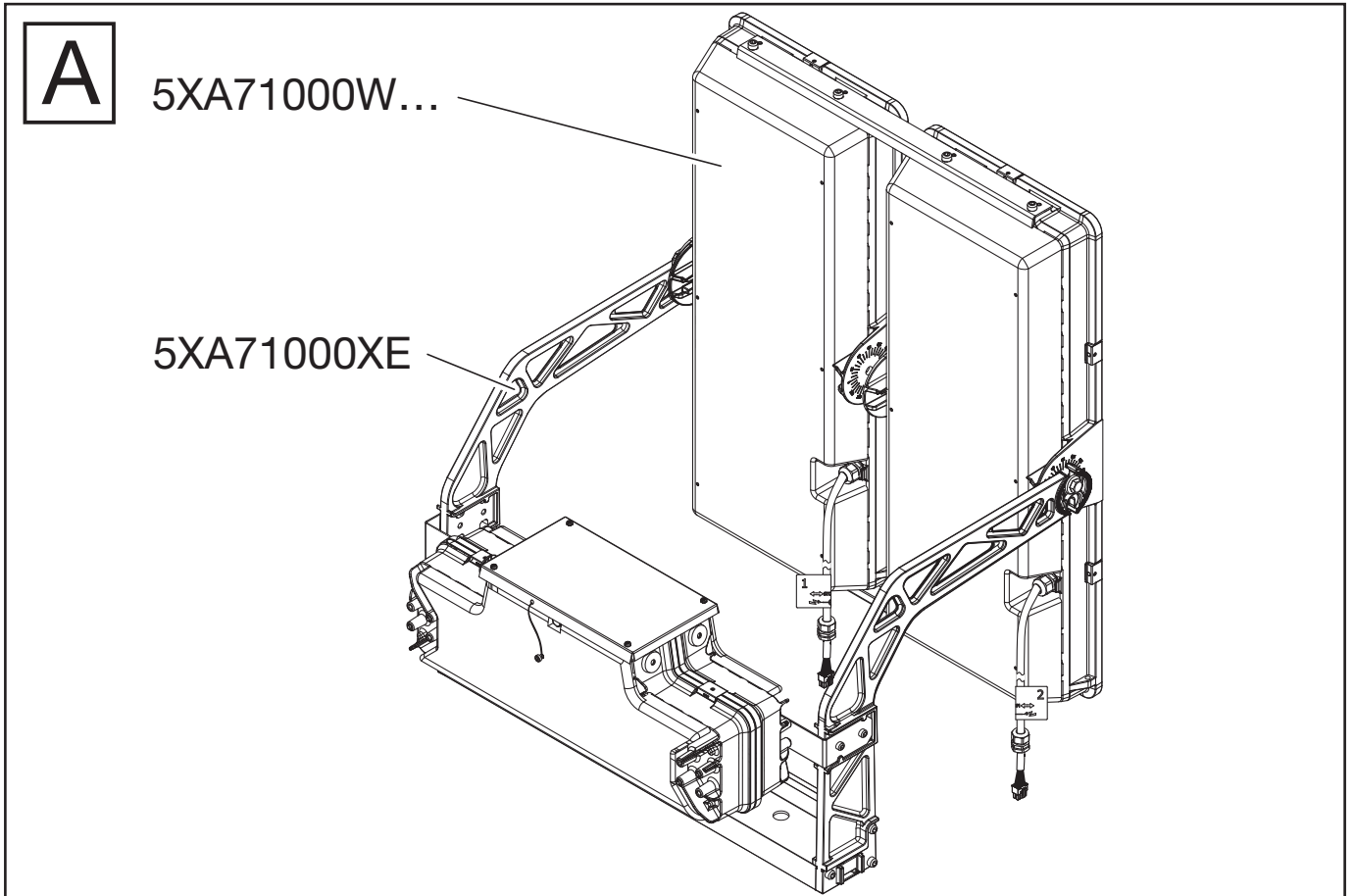
**siteco**

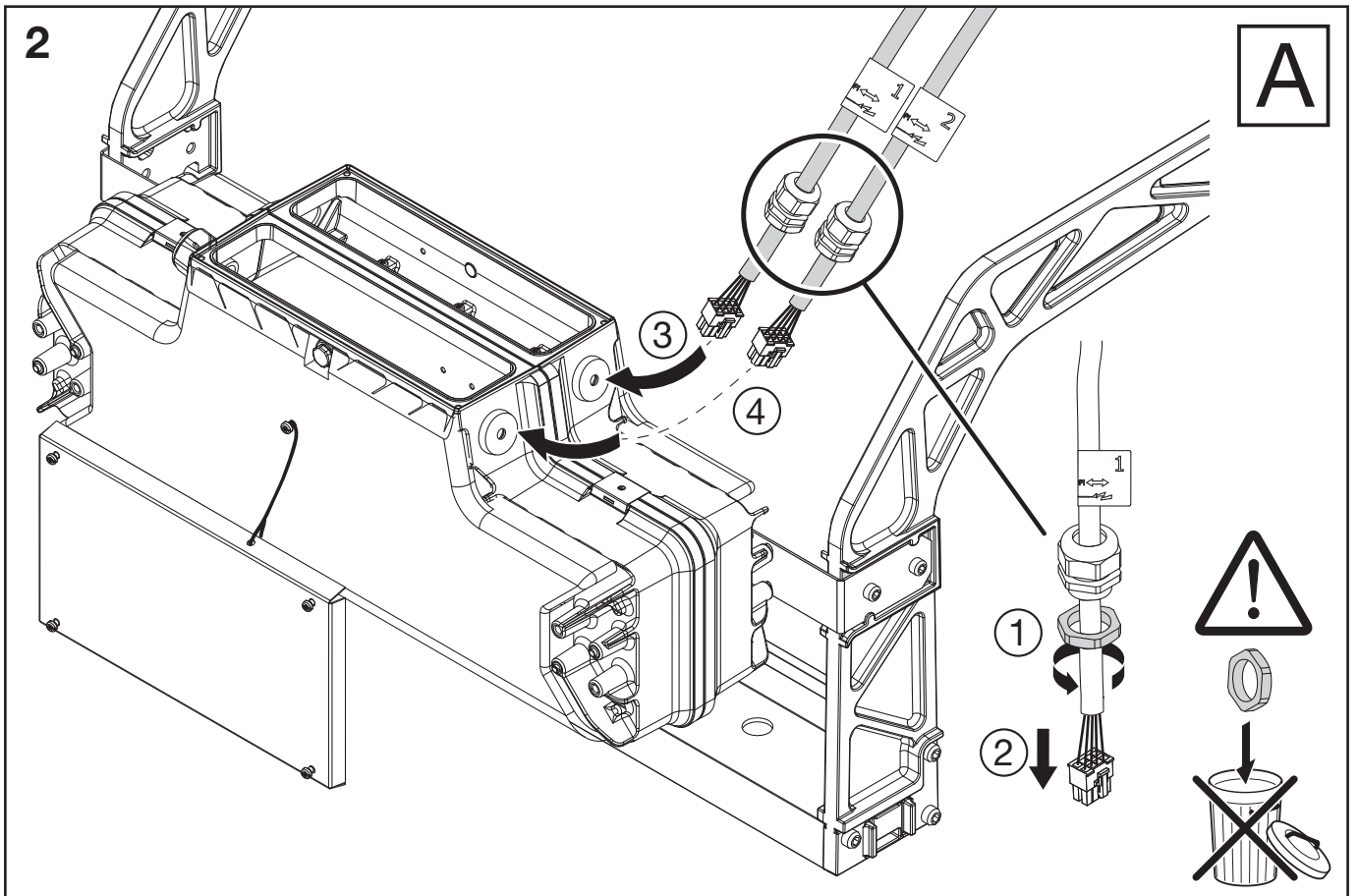
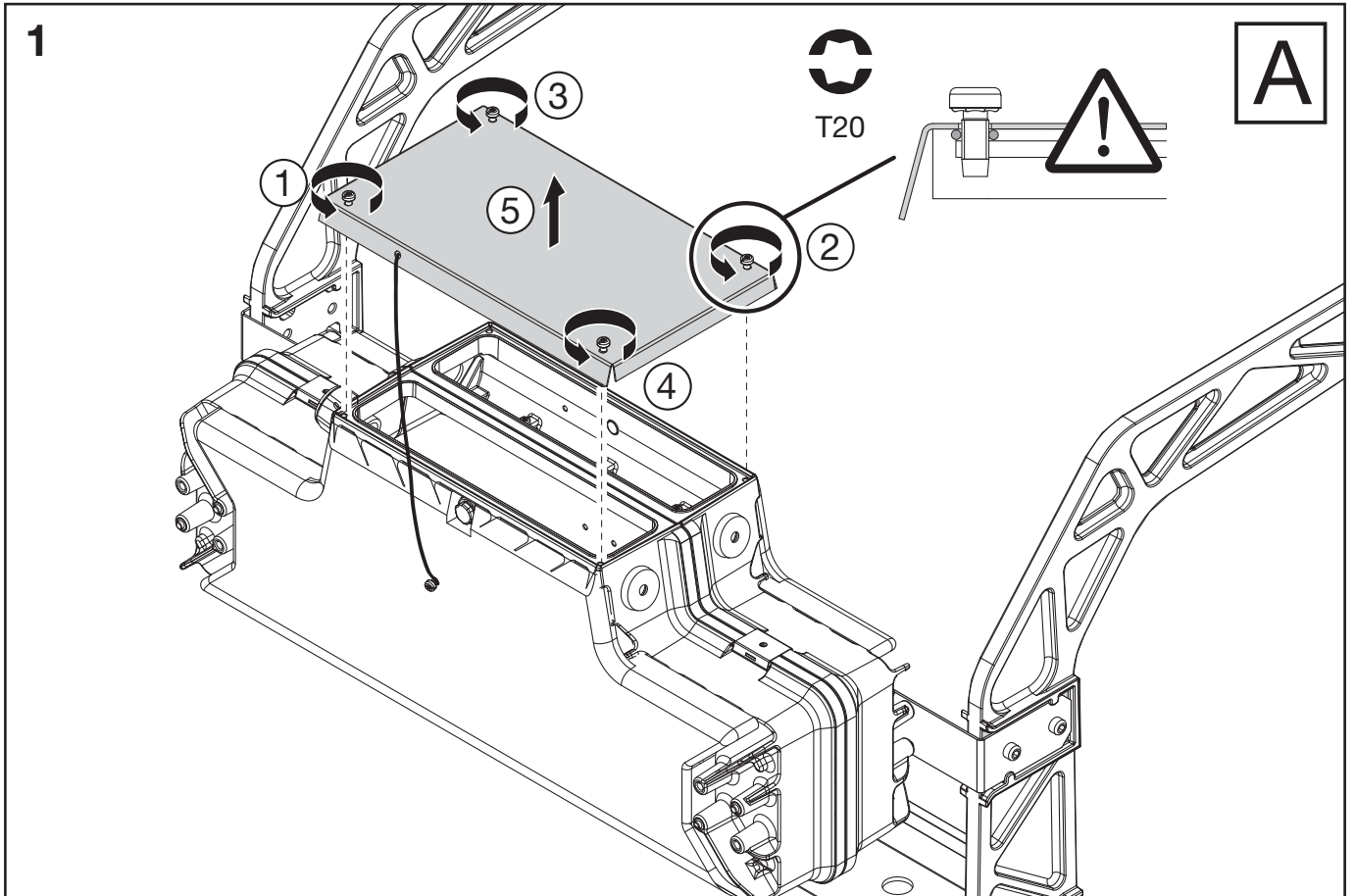
SIRIUS EVG-Einheit DALI / LST - ECG unit DALI / LST

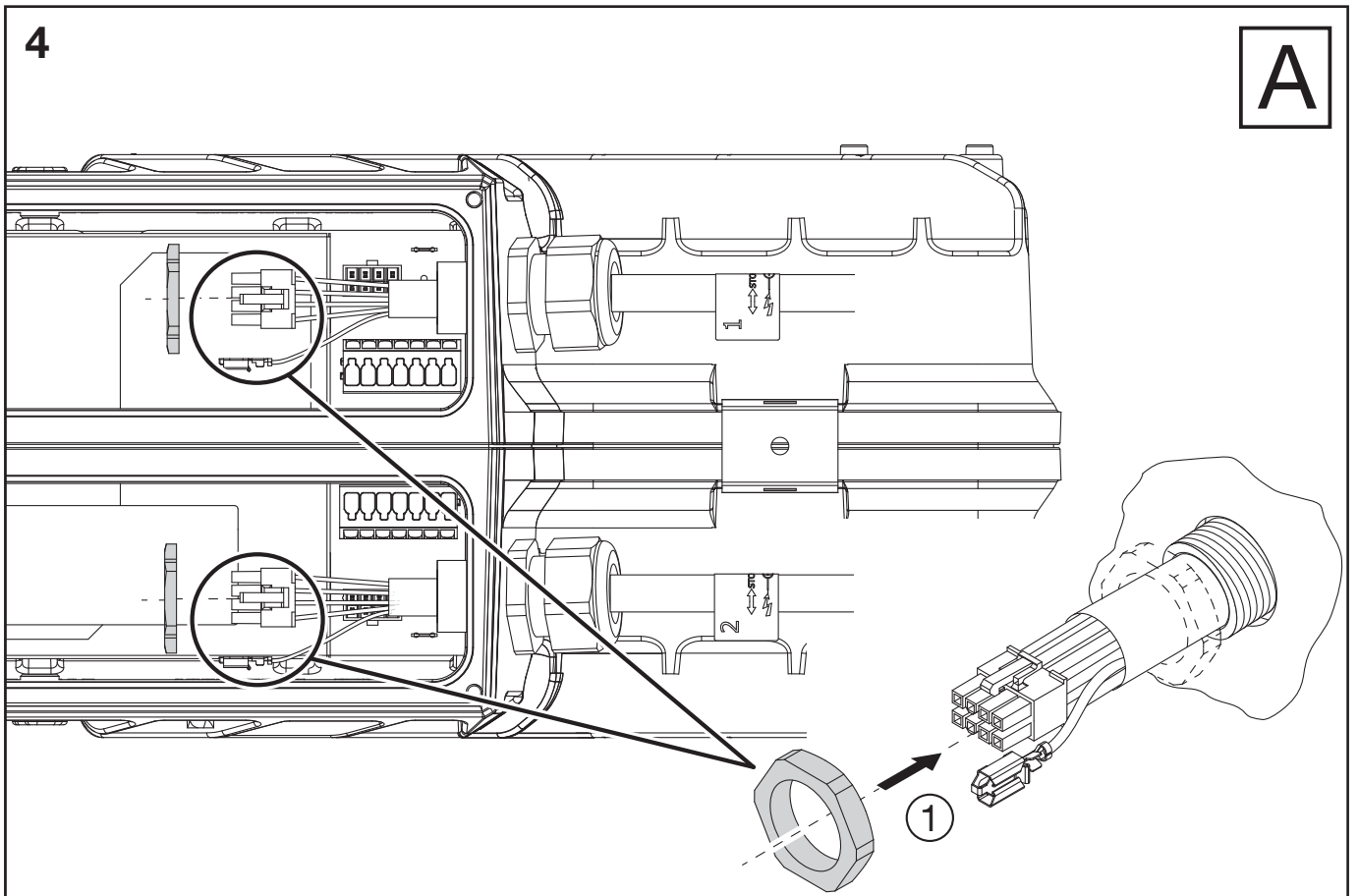
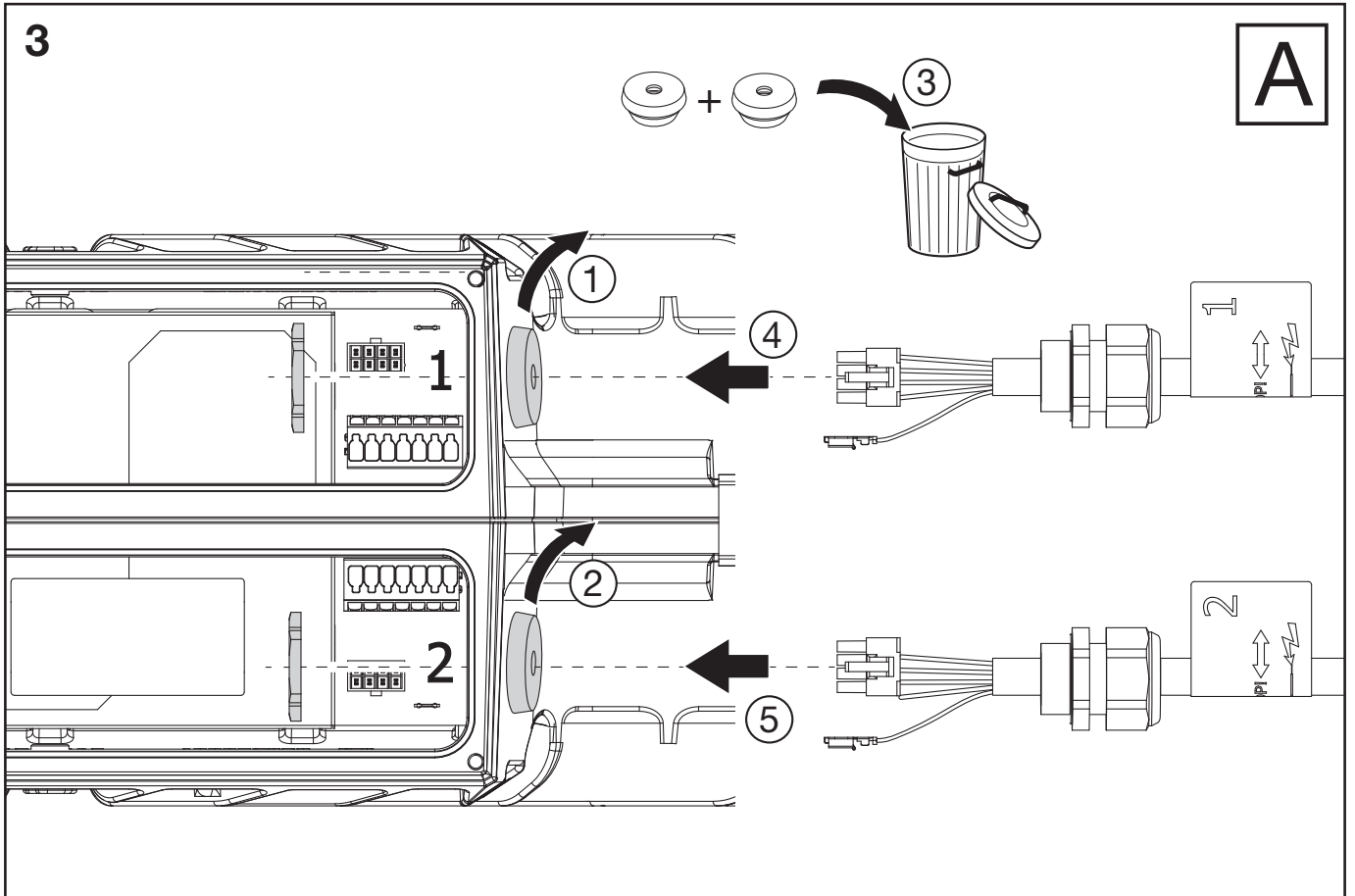


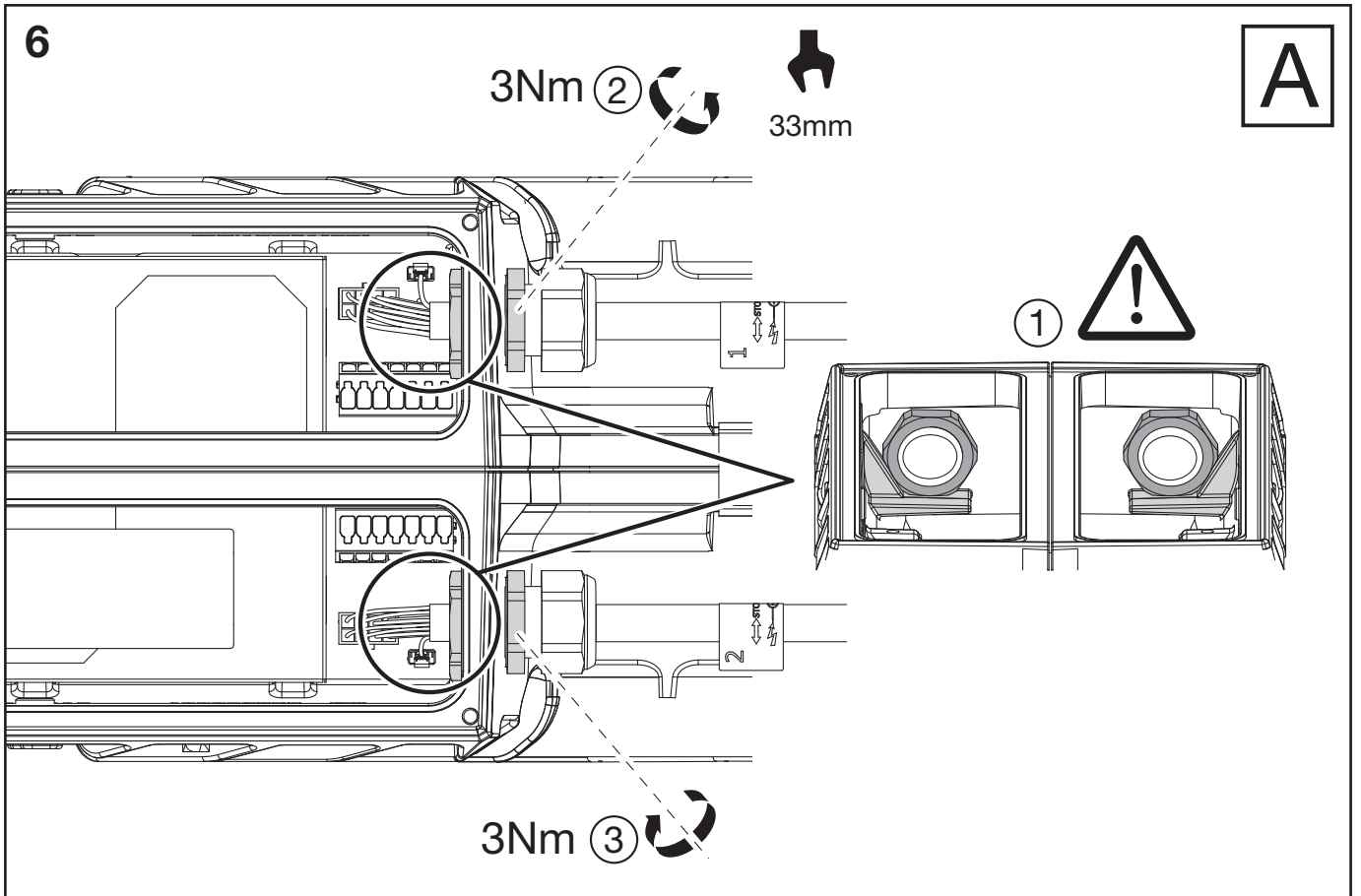
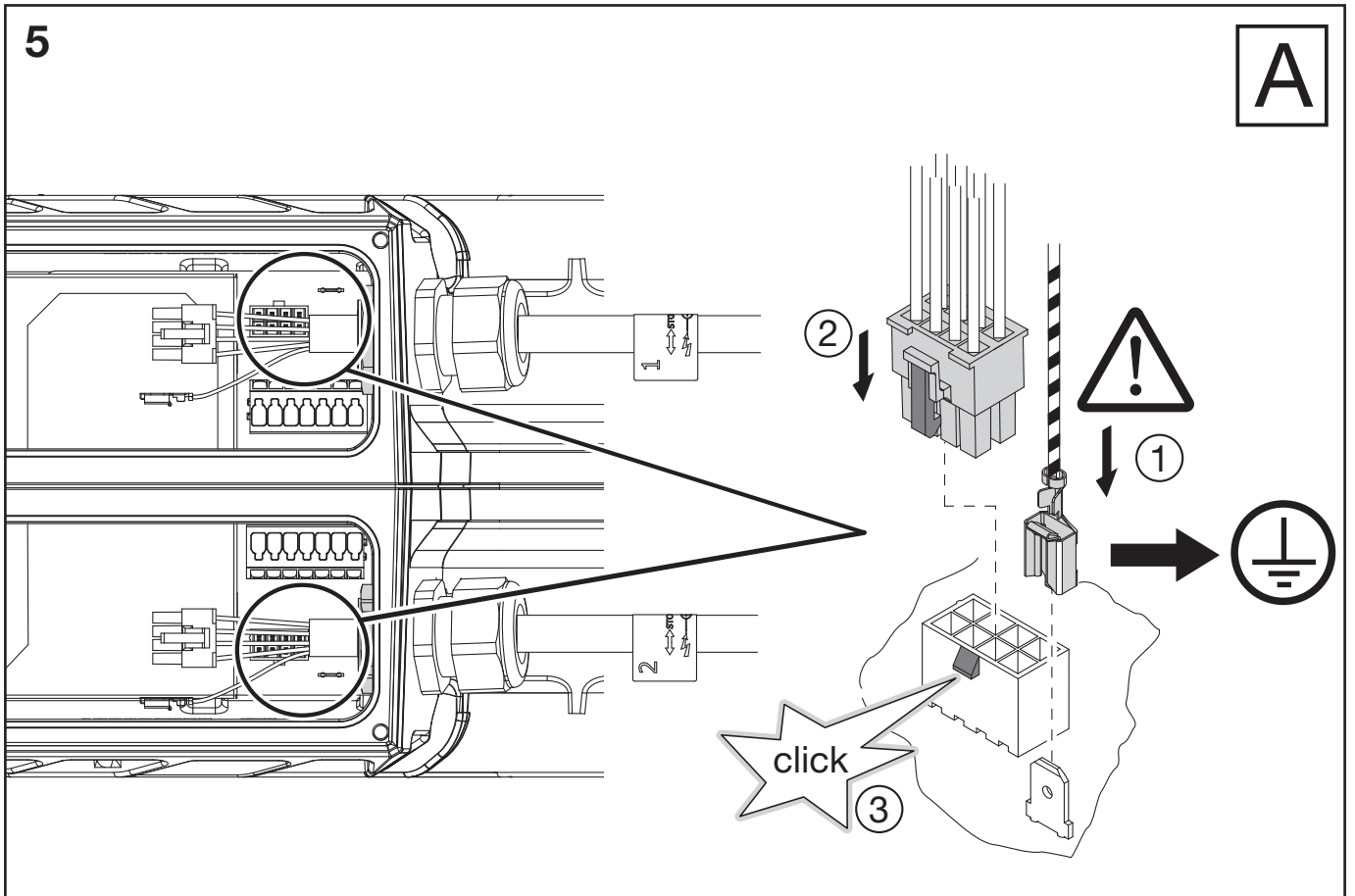




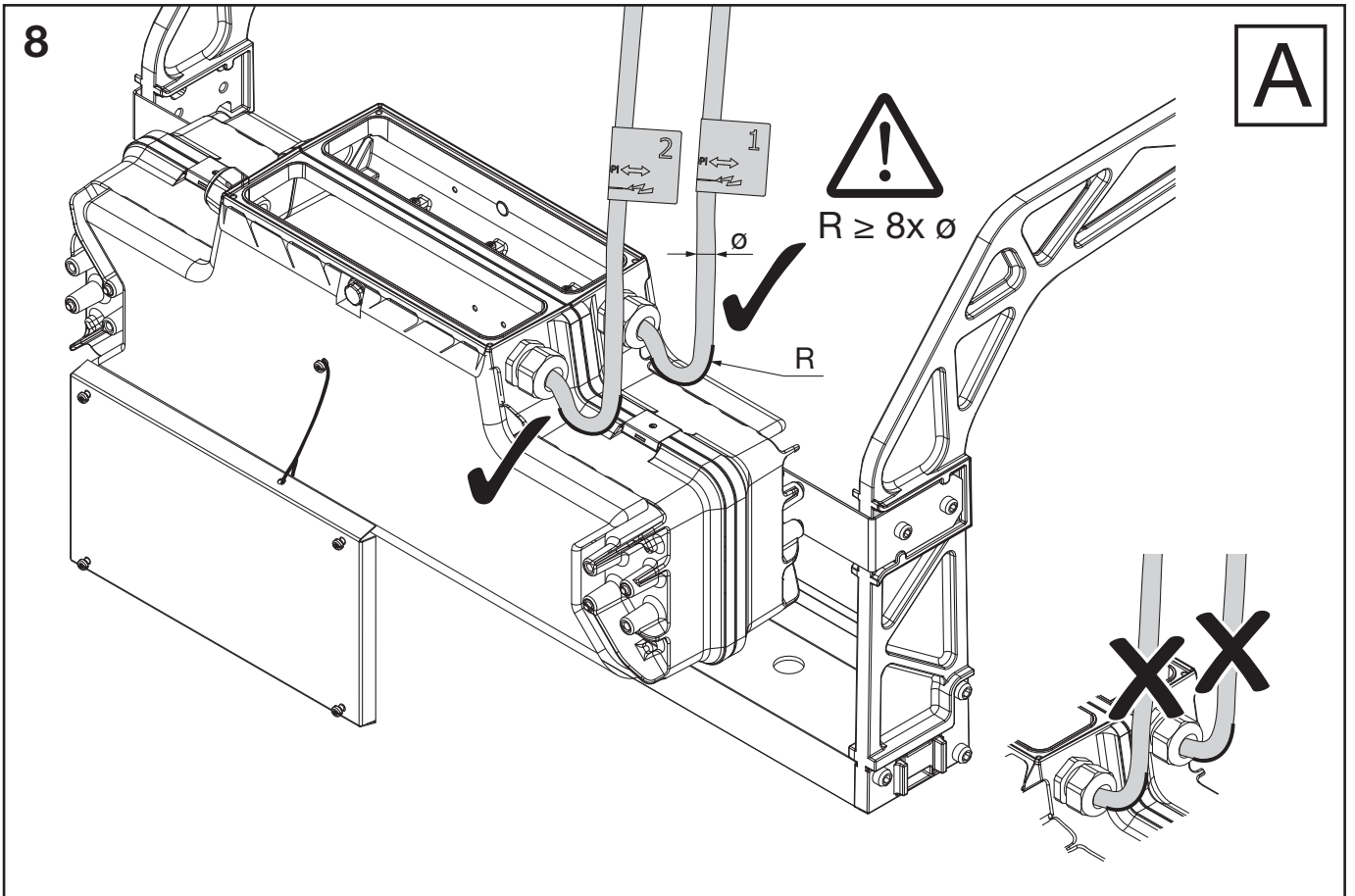
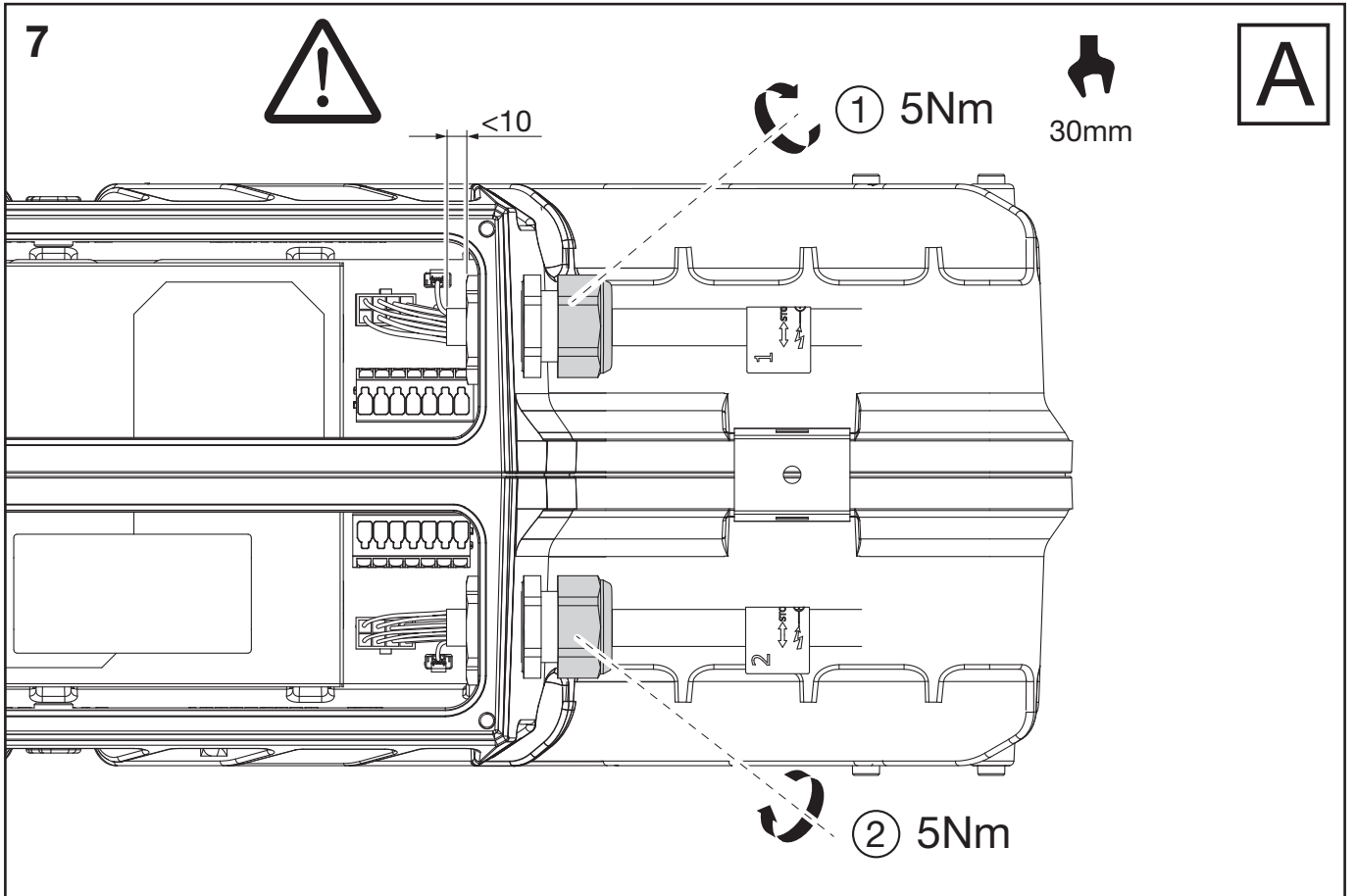




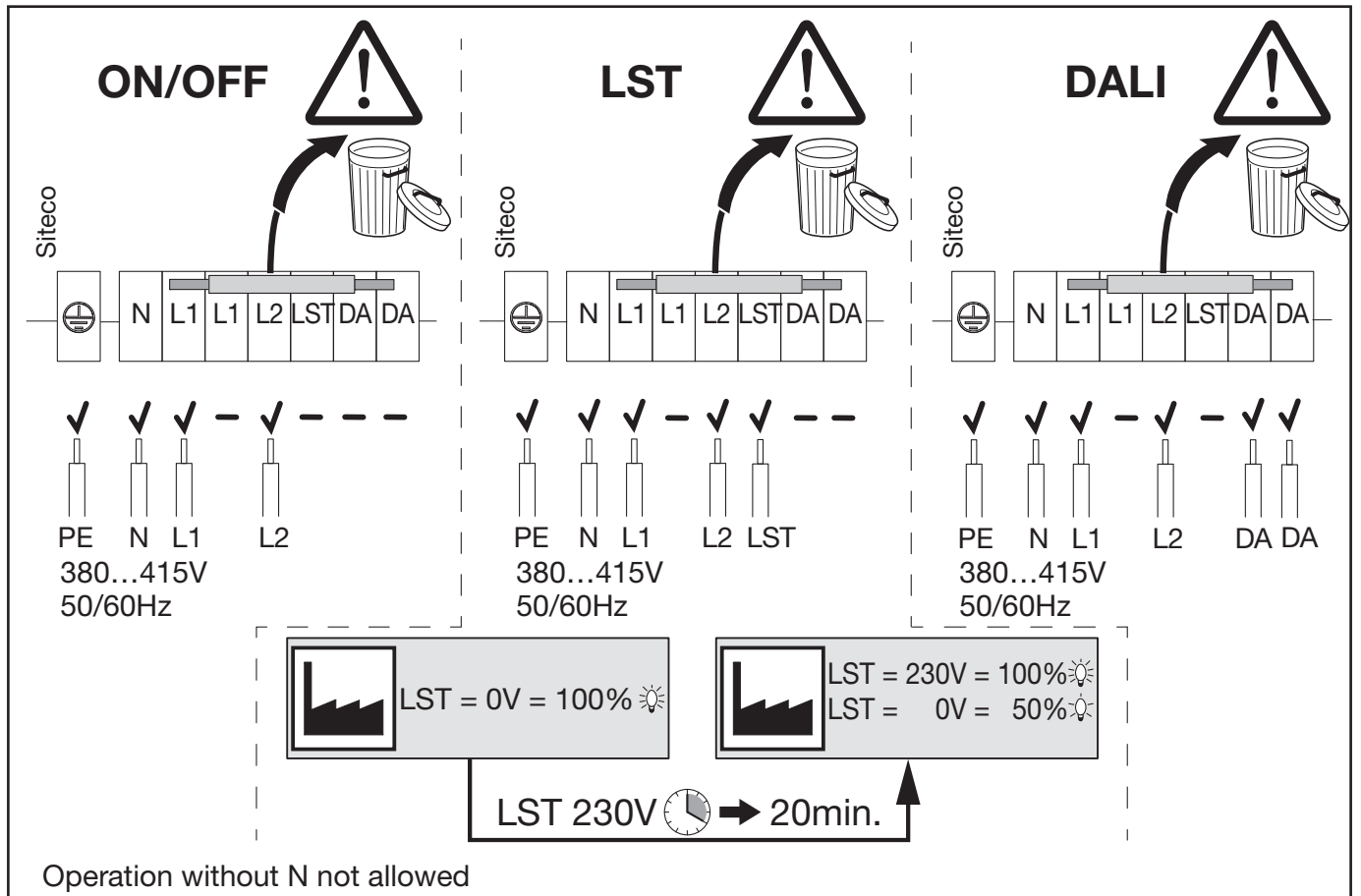
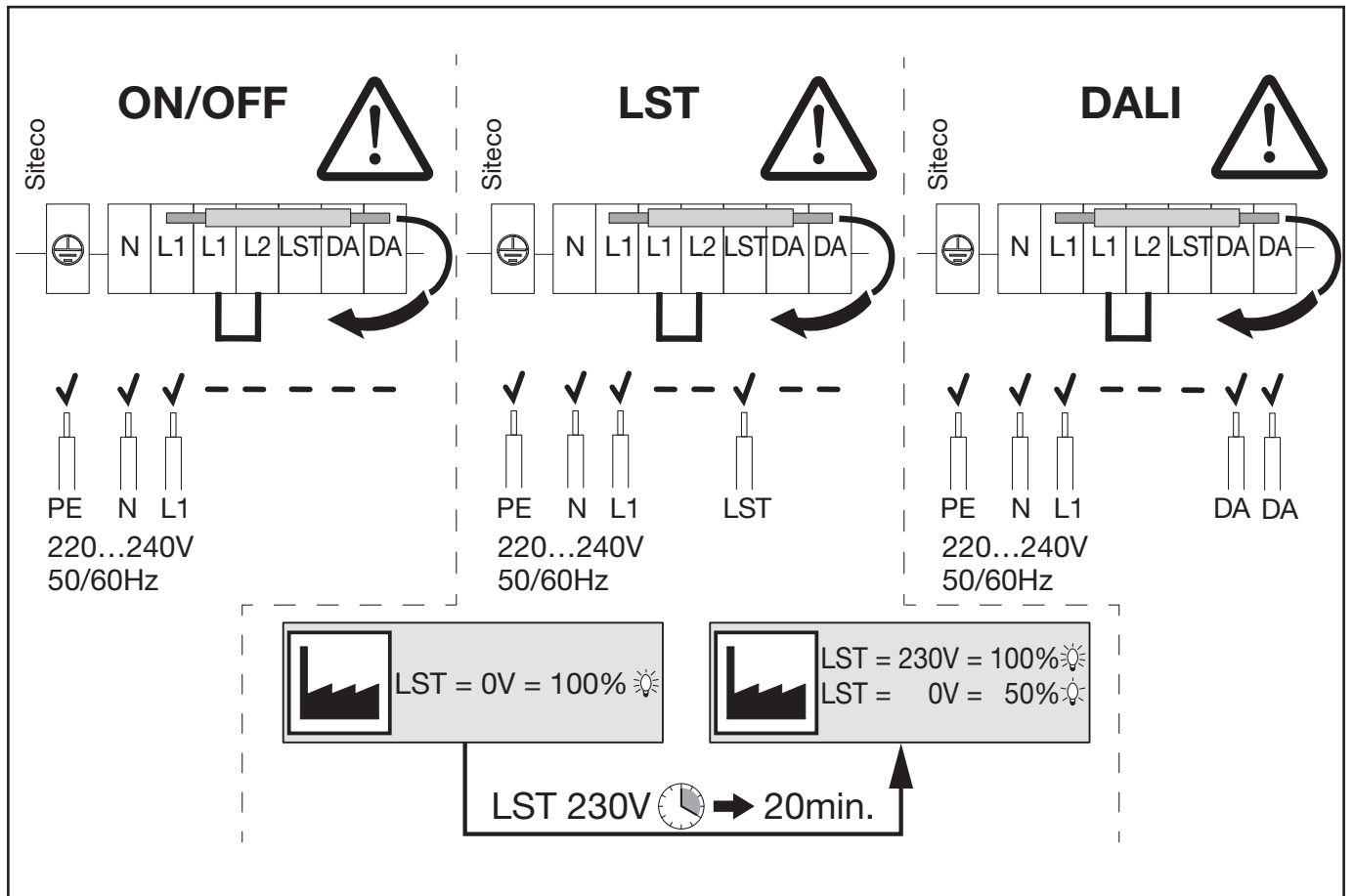


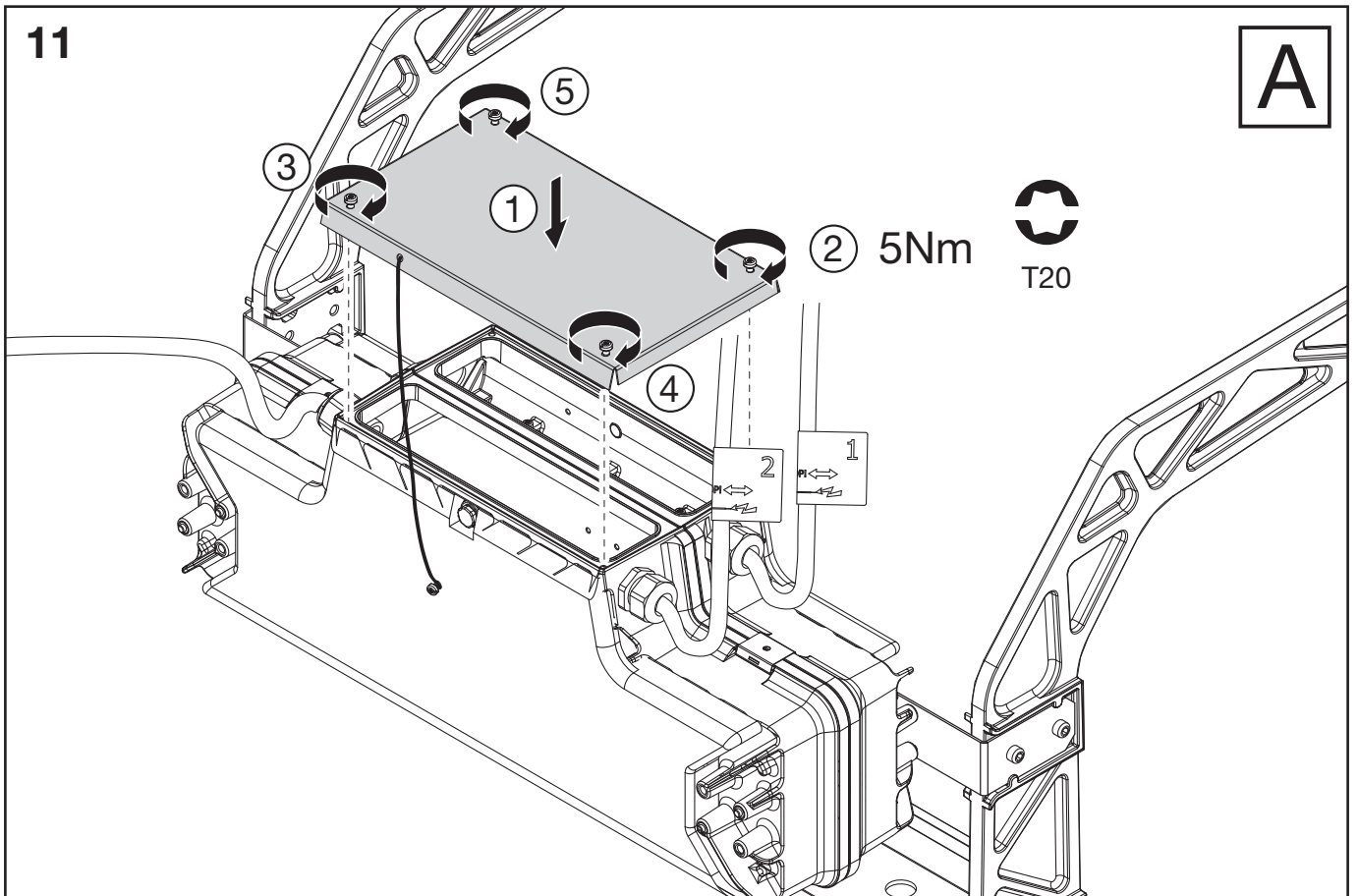
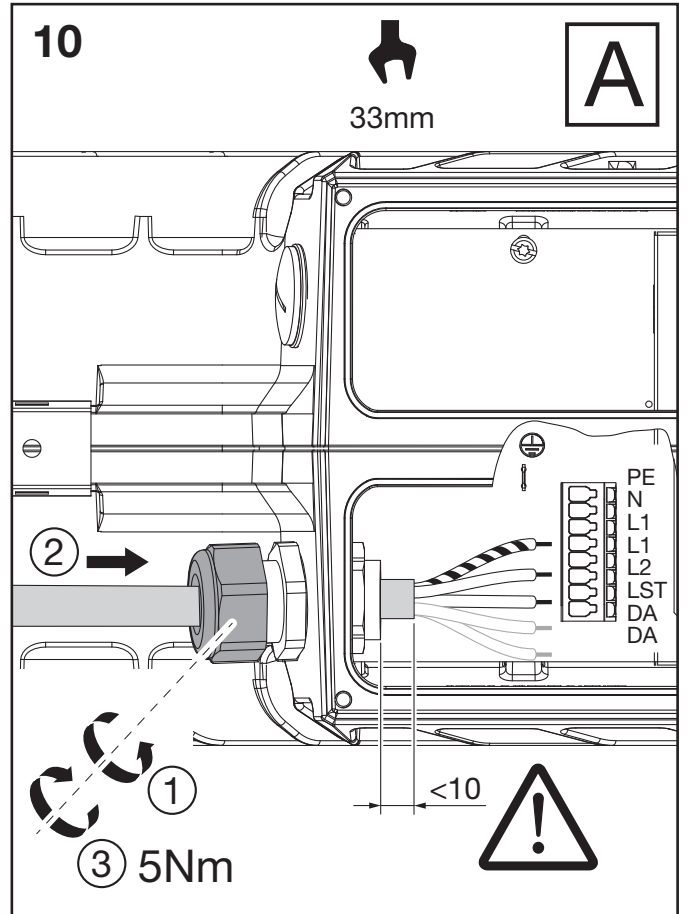
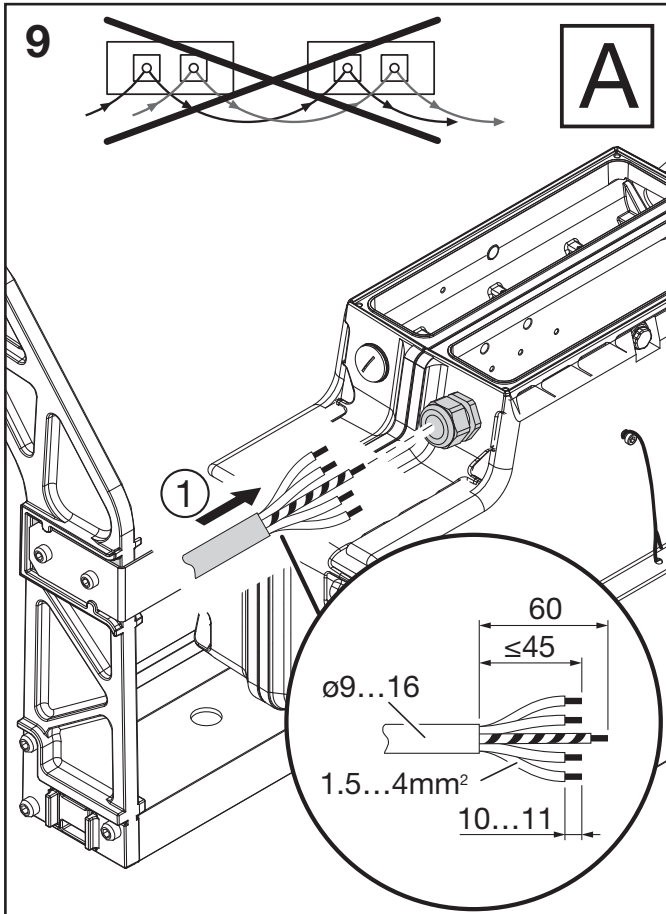


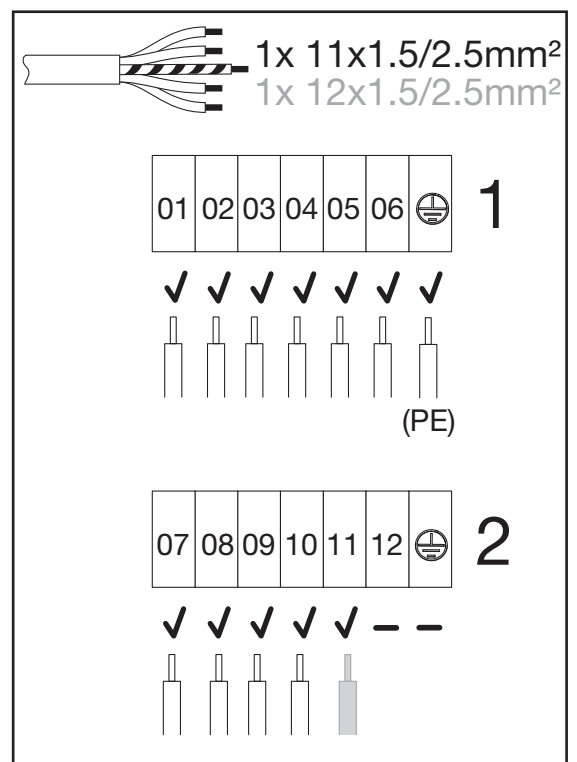
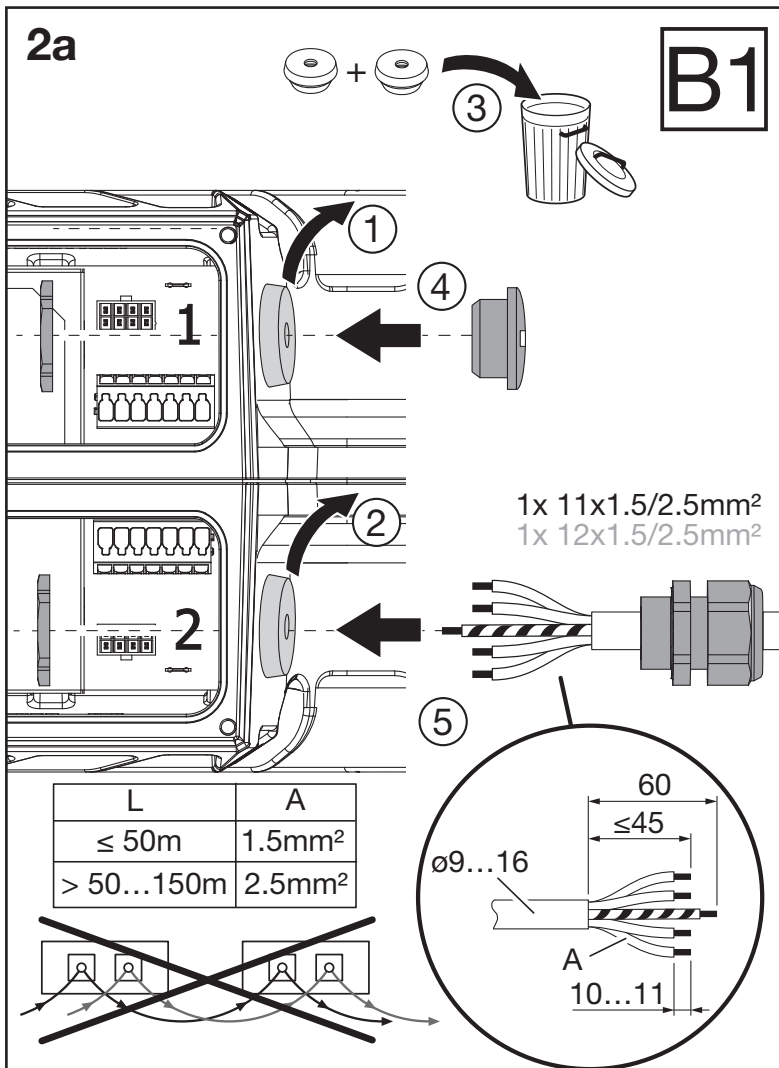
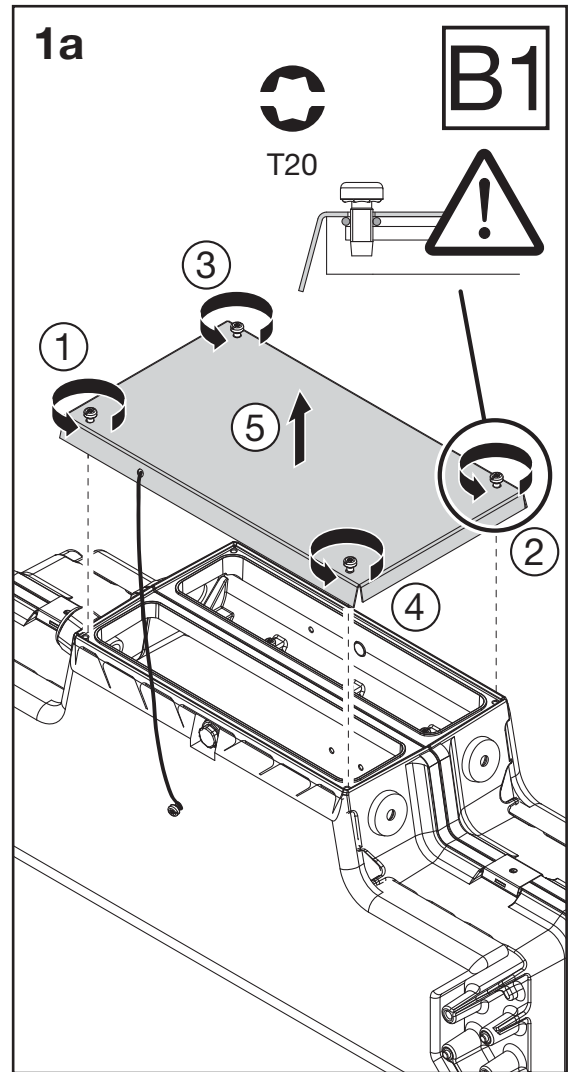
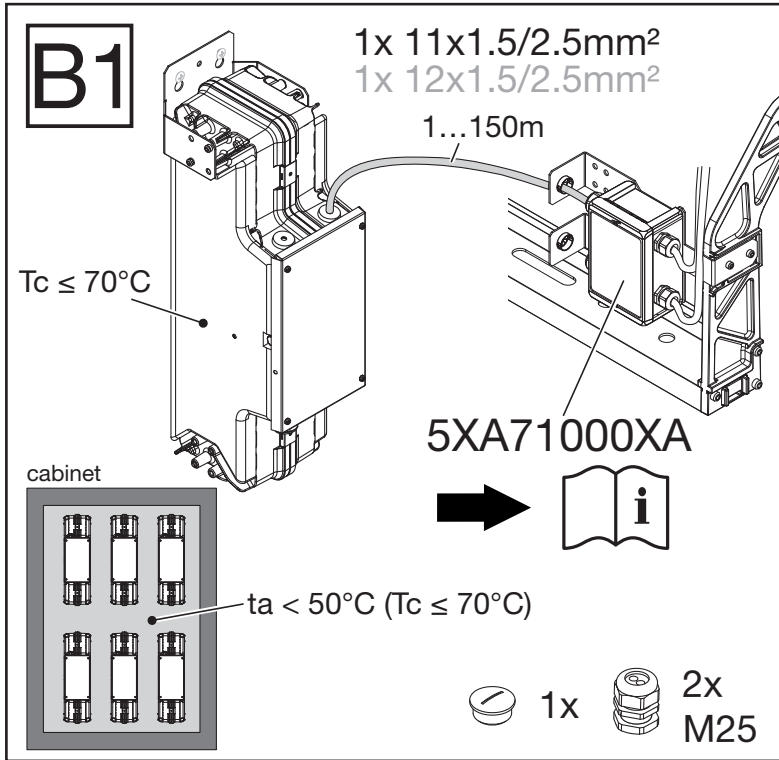


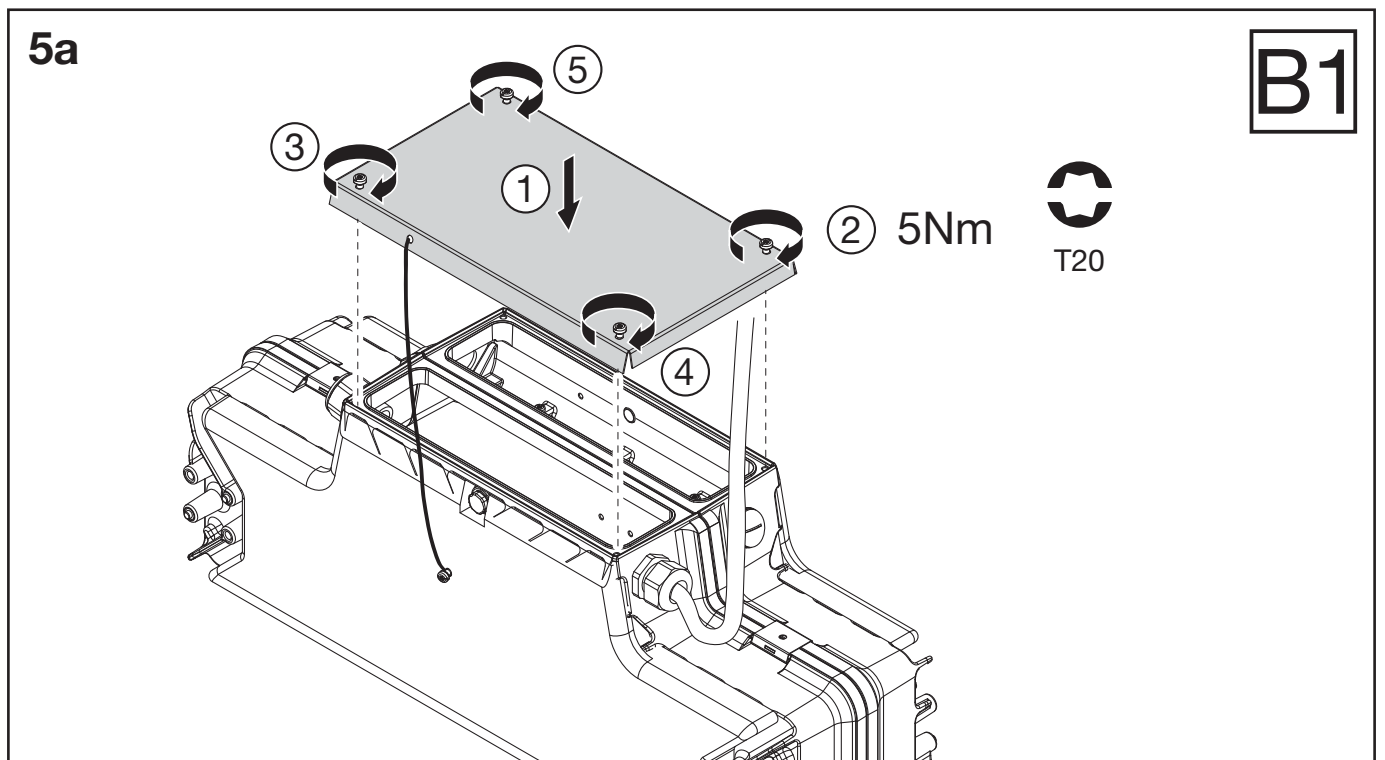
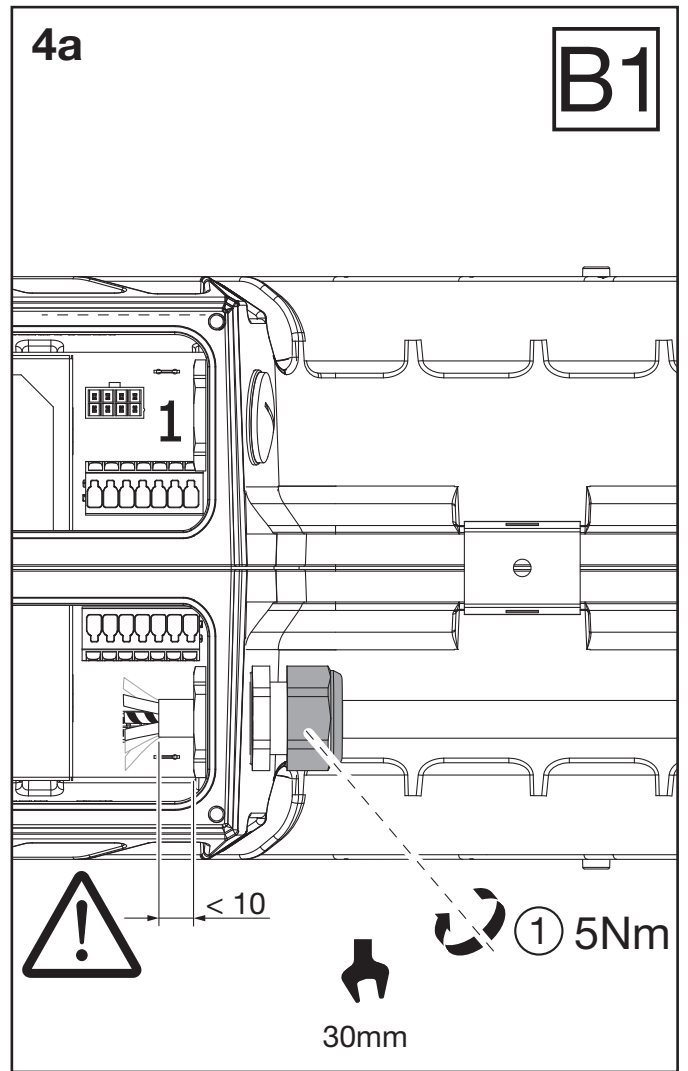
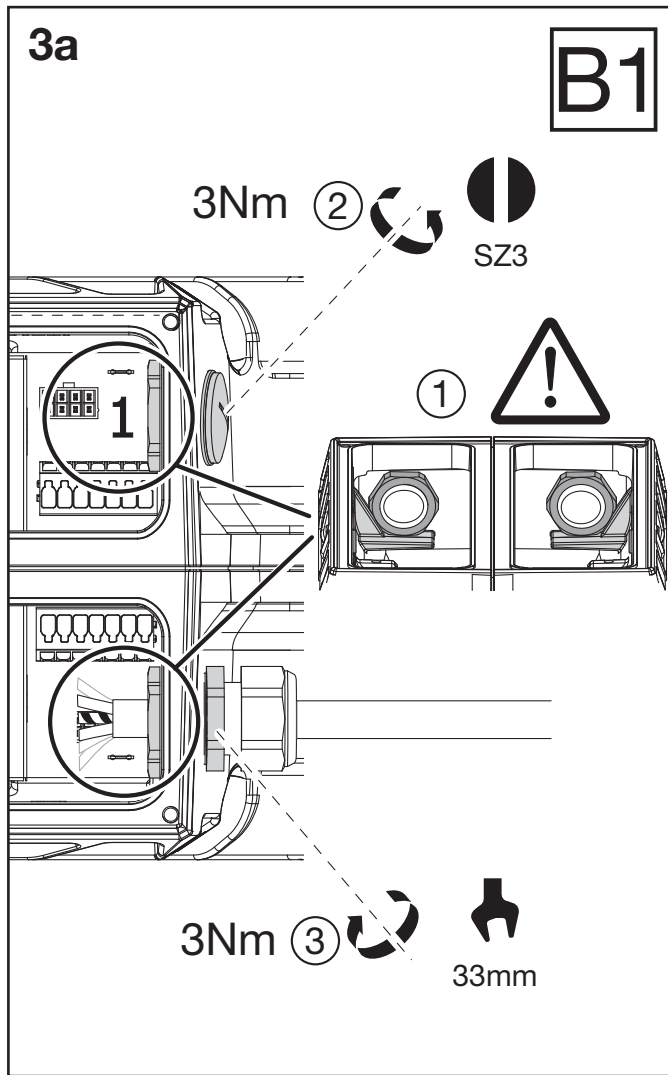


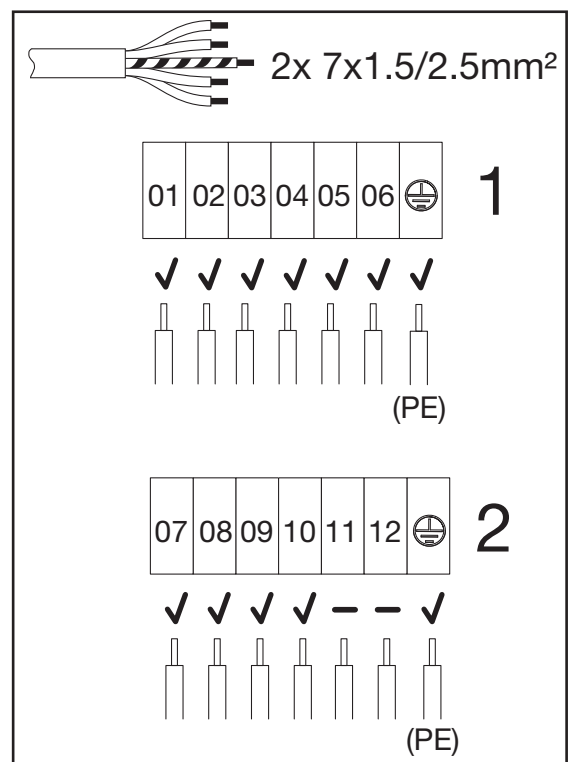
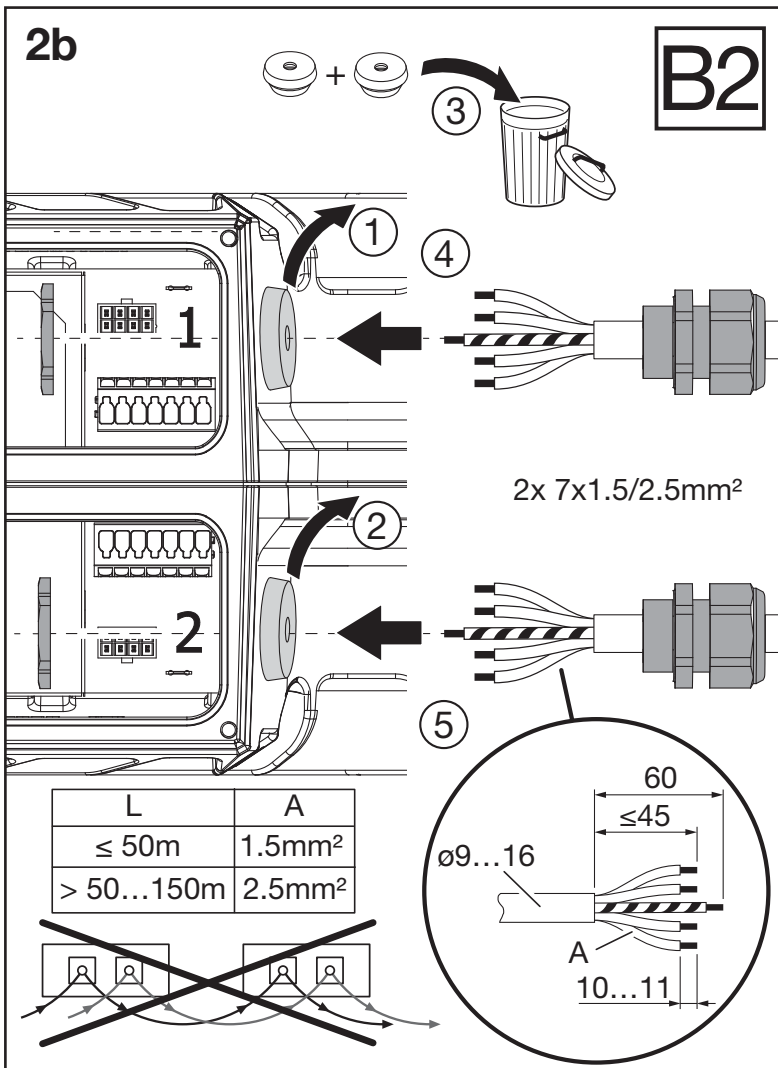
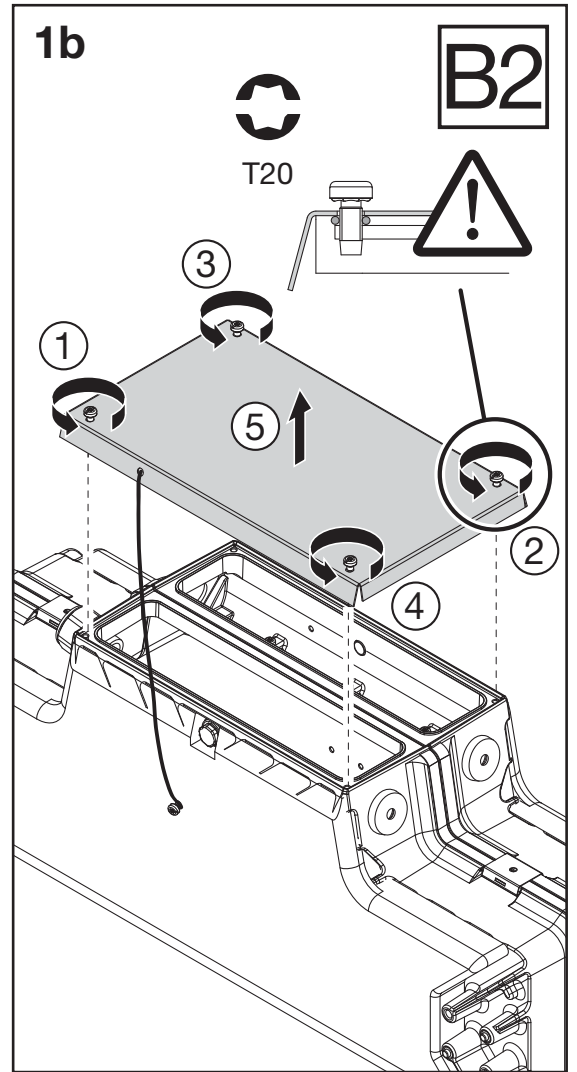
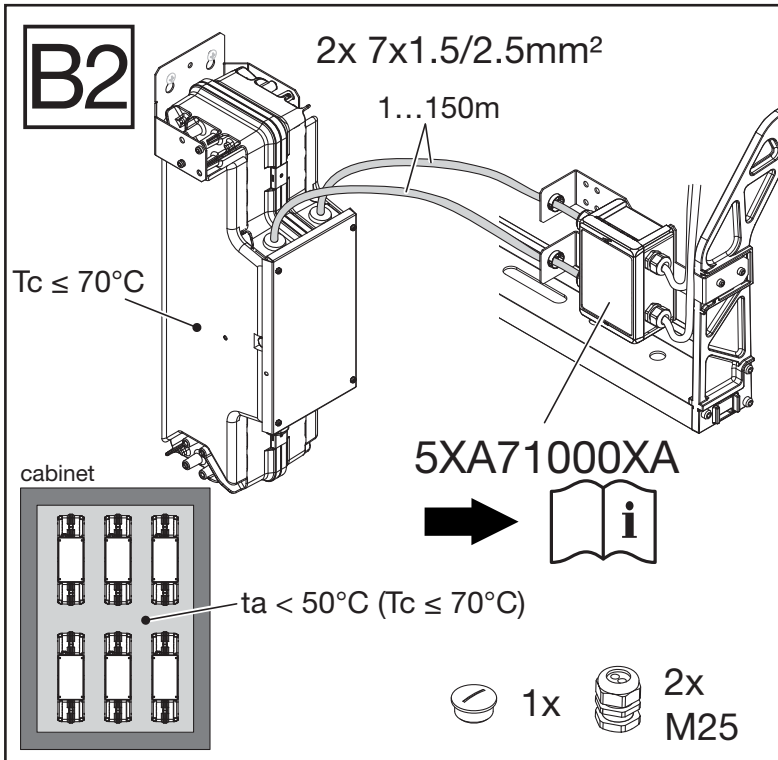
SIRIUS EVG-Einheit DALI / LST - ECG unit DALI / LST

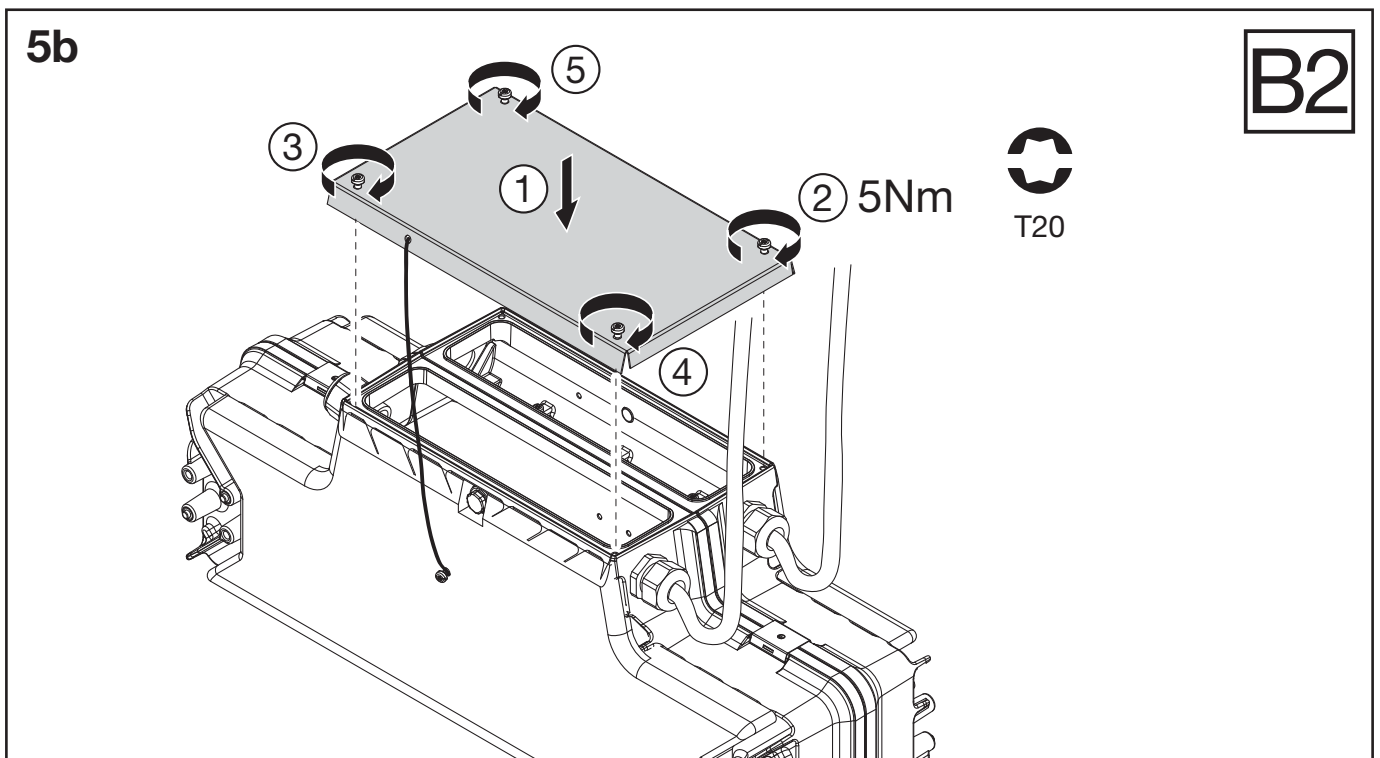
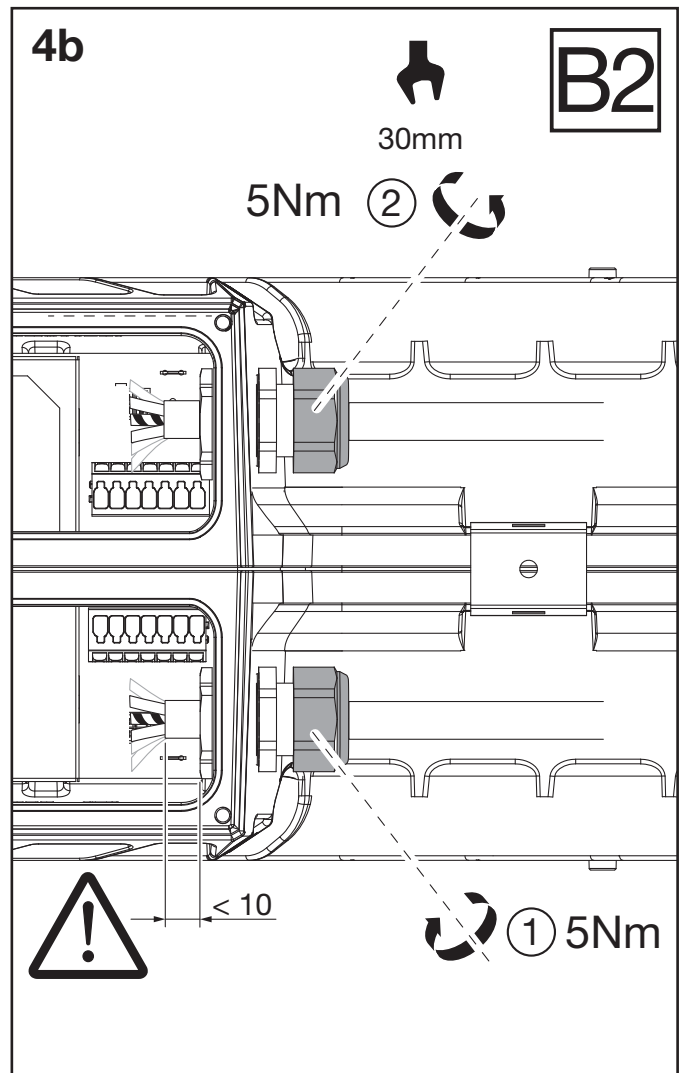
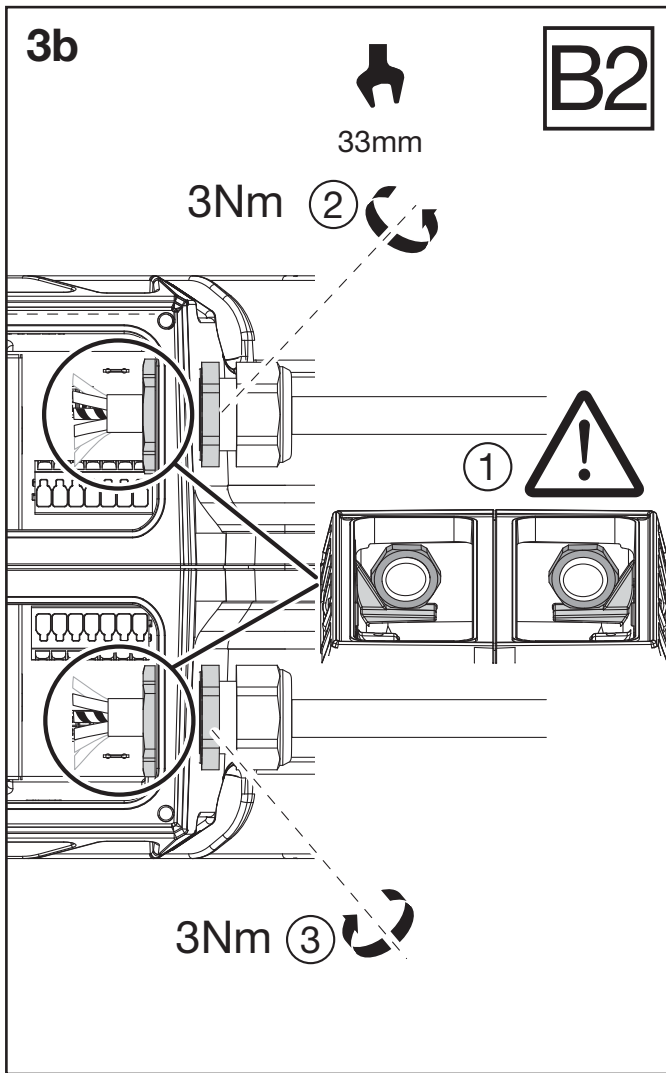












|                                |  |   |
|--------------------------------|--|---|
| Inrush Current                 | 16A @230V; t=5ms 50% Peak; Single Line |   |
|                                | 8A @400V; t=5ms 50% Peak; Double Line  |   |
| Circuit Breaker Recommendation | B10                                    | 1 |
|                                | B13                                    | 1 |
|                                | B16                                    | 2 |
|                                | B20                                    | 2 |
|                                | B25                                    | 3 |
|                                | C6                                     | 1 |
|                                | C10                                    | 2 |
|                                | C13                                    | 2 |
|                                | C16                                    | 3 |
|                                | C20                                    | 4 |
| C25                            | 5                                      |   |
| Power Factor                   | 0,97 @Full Load                        |   |
| Rated current (In)             | 8,7A @230V, 50/60Hz; Single Line       |   |
|                                | 4,4A @400V, 50/60Hz; Double Line       |   |



5MA75-254742\_ah  
12.12.2019 / WEI

Siteco GmbH  
Georg-Simon-Ohm-Straße 50  
83301 Traunreut, Germany  
mail: [technicalsupport@siteco.de](mailto:technicalsupport@siteco.de)  
Phone: +49 8669 / 33-844  
[www.siteco.com](http://www.siteco.com)