

Order No.: 5LZ904001 | GTIN (EAN): 4008321301093

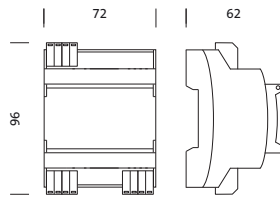
Product description: SConrepea,DALI,rec



SITECO Connectrepeater, master, central control, dimmable, installation type: recessed, installation location: in an electrical distributor, of plastic, part units: 4 part units, protection rating (complete): IP20, insulation class (complete): insulation class I (protective earthing), certification: CE, voltage: 100..240V, voltage type: AC, 2 x DALI, 1 x TouchDim input, 1 x DALI broadcast, packaging unit: 1 piece

IP 20  

Wt. (kg): 0.2
GTIN (EAN): 4008321301093



It is mandatory that the assembly instructions must be observed when planning and installing the electrical installation (to be found at www.siteco.com)

Tolerances related to thermal, electrical and photometric data according to IEC 62722

Issued 24.08.2024 - Modifications and errors subject to change - Ensure that you always use the latest version -

Order No.: 5LZ904001 | GTIN (EAN): 4008321301093

Detailed technical description: SConrepea,DALI,rec



Key data

- System family: DALI
- Product type: repeater
- Product name: SITECO Connect
- Order No.: 5LZ904001

Lighting technology | Lamps | Control gear

Component 1

Operating device:

- Control: DALI, dimmable

Certificates, Standards

- Protection rating: IP20
- Insulation class: insulation class I (protective earthing)
- Temperature range (operation): 0..+50°C
- Certification, designation: CE

Material, Colour

- housing: plastic, grey, 4 part units
- housing: plastic, grey, 4 part units
- Colour specification: grey

Mounting

- Mounting method, mounting location: recessed, in an electrical distributor
- Supplement: only suitable for indoor use

Electrical connection

- Connection: terminal, 3-pole, max. 1.5mm²
- Nominal voltage: 100..240V, 50/60Hz, AC

Dimensions, Weight

- Length: 96mm
- Width: 72mm
- Height: 62.2mm
- Weight: 0.2kg

Inputs

2x DALI

- Connection: screw terminal, 2-pole, max. 2.5mm²

1x TouchDim input

- Connection: plug-in terminal, 1-pole, max. 1.5mm²

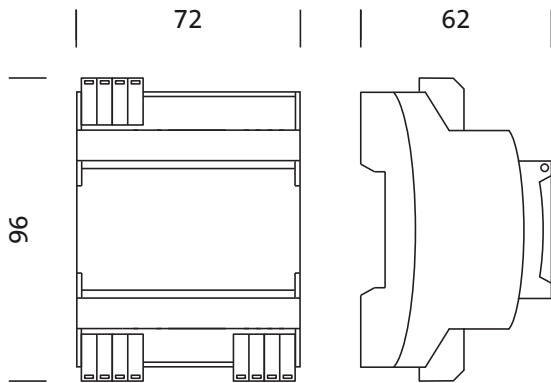
Outputs

1x DALI broadcast

- Connection: plug-in terminal, 2-pole, max. 2.5mm²
- Limiting: max. 64x ECG DALI
- System current: max. 128mA
- Cable length: max. 300m

Order No.: 5LZ904001 | GTIN (EAN): 4008321301093

Dimensions: SConrepea,DALI,rec



It is mandatory that the assembly instructions must be observed when planning and installing the electrical installation (to be found at www.siteco.com)

Tolerances related to thermal, electrical and photometric data according to IEC 62722

Issued 24.08.2024 - Modifications and errors subject to change - Ensure that you always use the latest version -