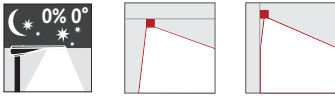


Order No.: 5XA7671B2A1KC | GTIN (EAN): 4058352237861

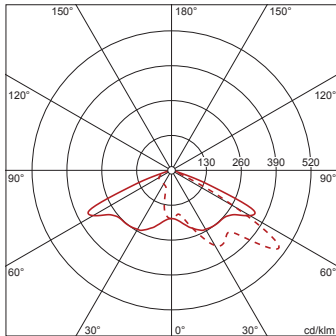
Product description: FL20mn,PL43,6650lm740,Basic,bracket



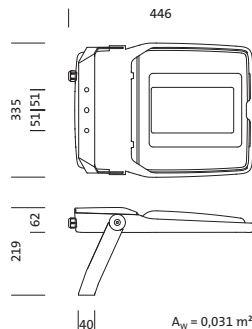
Floodlight FL 20 mini, floodlight, primary light control with lens, of plastic, primary optical cover: protective disc, of toughened safety glass, transparent, light distribution: PL43, light emission: direct distribution, primary light characteristic: asymmetric, installation type: surface-mounted, LED, High Power LED, rated luminous flux: 6.650lm, luminous efficacy: 130lm/W, light colour: 740, colour temperature: 4000K, control gear: ECG Basic, control: power reduction, overheat protection, electronic power reduction, with terminal, 5-pole, max. 2.5mm<sup>2</sup>, mains connection: 220..240V, AC, 50/60Hz, rated input power: 51W, LED unit, of diecast aluminium, powder-coated, Siteco® metallic grey (DB 702S), corrosivity category C5 mid according to DIN EN ISO 12944, incl. 1x M20 cable gland for cable Ø 6.5..12mm, length: 446mm, width: 355mm, height: 62mm, housing frame, of diecast aluminium, powder-coated, Siteco® metallic grey (DB 702S), mounting bracket, of steel, powder-coated, Siteco® metallic grey (DB 702S), ON/OFF, protection rating (complete): IP66, insulation class (complete): insulation class I (protective earthing), certification: CE, ENEC, VDE, protection symbol: D, permissible operating ambient temperature: -40..+40°C, permissible operating ambient temperature for outdoor applications: -40..+50°C, standard: DIN EN 12944, packaging unit: 1 piece

4058352237861  
5XA7671B2A1KC

LED 4000K / CRI ≥ 70    Φ<sub>h</sub> 6650 lm



Lamps:	LED
Wt. (kg):	6.3
GTIN (EAN):	4058352237861



It is mandatory that the assembly instructions must be observed when planning and installing the electrical installation (to be found at [www.siteco.com](http://www.siteco.com))

Tolerances related to thermal, electrical and photometric data according to IEC 62722

Issued 08.05.2024 - Modifications and errors subject to change - Ensure that you always use the latest version -

**Order No.:** 5XA7671B2A1KC | **GTIN (EAN):** 4058352237861

**Detailed technical description:** FL20mn,PL43,6650lm740,Basic,bracket



### Key data

- Product type: floodlight
- Product name: Floodlight FL 20 mini
- Order No.: 5XA7671B2A1KC

### Lighting technology | Lamps | Control gear

#### Component 1

#### Lighting technology:

- Light control: lens of plastic
- Cover: protective disc, transparent
- Light distribution: PL43
- Symmetry: asymmetric distribution
- Light emission: direct distribution

#### Lamps:

- Lamps: with High Power LED, LED
- Rated luminous flux: 6650lm
- Luminous efficacy: 130lm/W
- Colour temperature: 4000K
- Colour rendering index: CRI > 70
- Light colour: 740
- Rated input power: 51W

#### Operating device:

- Control gear: ECG Basic
- Control: Basic
- Equipment: overheat protection, power reduction
- Switching method: electronic power reduction

#### Certificates, Standards

- Protection rating: IP66
- Insulation class: insulation class I (protective earthing)
- Protection symbol: D
- Temperature range (operation): -40..+40°C
- Standard: DIN EN 12944
- Corrosion protection: corrosivity category C5 mid according to DIN EN ISO 12944
- Certification, designation: CE, ENEC, VDE

### Material, Colour

- LED unit: diecast aluminium, powder-coated, Siteco® metallic grey (DB 702S), incl. 1x M20 cable gland for cable Ø 6.5..12mm
- Colour specification: Siteco® metallic grey (DB 702S)
- housing frame: diecast aluminium, powder-coated, Siteco® metallic grey (DB 702S)
- Colour specification: Siteco® metallic grey (DB 702S)
- mounting bracket: steel, powder-coated, Siteco® metallic grey (DB 702S)
- Colour specification: Siteco® metallic grey (DB 702S)
- Cover: protective disc of toughened safety glass

### Mounting

- Mounting method, mounting location: surface-mounted, to supporting structure, to the cross arm, to the wall
- Arrangement: single arrangement
- Supplement: with mounting bracket

### Electrical connection

- Connection: terminal, 5-pole, max. 2.5mm<sup>2</sup>
- Nominal voltage: 220..240V, 50/60Hz, AC

### Dimensions, Weight

- Length: 446mm
- Width: 355mm
- Height: 62mm
- Weight: 6.3kg

### Light emission

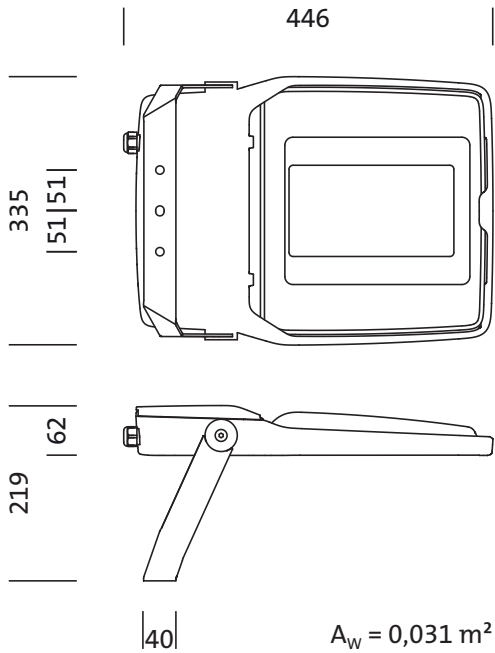
- Light emission: 0% at 0° inclination

### Service life

- Rated service life: 100000h (L97/B10) at AT = 25°C, 50000h (L98/B10) at AT = 25°C

Order No.: 5XA7671B2A1KC | GTIN (EAN): 4058352237861

Dimensions: FL20mn,PL43,6650lm740,Basic,bracket



It is mandatory that the assembly instructions must be observed when planning and installing the electrical installation (to be found at [www.siteco.com](http://www.siteco.com))

Tolerances related to thermal, electrical and photometric data according to IEC 62722

Issued 08.05.2024 - Modifications and errors subject to change - Ensure that you always use the latest version -

Order No.: 5XA7671B2A1KC | GTIN (EAN): 4058352237861

Planning data: FL20mn,PL43,6650lm740,Basic,bracket

**5XA7671B2A1KC: 1x LED**  
**4000K / CRI  $\geq$  70**

4058352237861

5XA7671B2A1KC

LED 4000K / CRI  $\geq$  70

$\Phi_{\text{N}}$  6650 lm



— C 0/180    - - - C 90/270

Luminous intensity class according to  
EN13201-2: G6