

**Order No.:** 5XMOD1114F | **GTIN (EAN):** 4050737958378

**Product description:** SL10mnmd,LEDmod,P1.0a,830

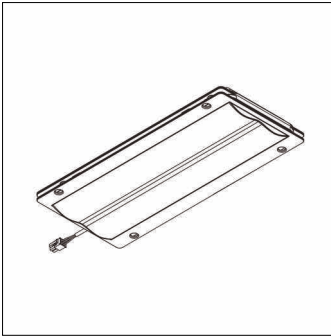


Streetlight 10 mini/midi, LED module, primary light control with cycle path optic, light distribution: P1.0a, primary light characteristic: asymmetric, High Power LED, light colour: 830, colour temperature: 3000K, mains connection: 230..240V, 50Hz, LED module, length: 310mm, width: 137mm, height: 40mm, protection rating (complete): as luminaire, packaging unit: 1 piece

Wt. (kg): 1.3  
GTIN (EAN): 4050737958378

Order No.: 5XMOD1114F | GTIN (EAN): 4050737958378

Detailed technical description: SL10mnm,LEDmod,P1.0a,830



#### Key data

- Product type: LED module
- Product name: Streetlight 10 mini/midi
- Order No.: 5XMOD1114F

#### Lighting technology | Lamps | Control gear

##### Component 1

#### Lighting technology:

- Light control: cycle path optic
- Light distribution: P1.0a
- Beam angle: extremely wide distribution
- Symmetry: asymmetric distribution

#### Lamps:

- Lamps: with High Power LED
- Colour temperature: 3000K
- Colour rendering index: CRI > 80
- Light colour: 830

#### Certificates, Standards

- Protection rating: as luminaire

#### Electrical connection

- Nominal voltage: 230..240V, 50Hz

#### Dimensions, Weight

- Length: 310mm
- Width: 137mm
- Height: 40mm
- Weight: 1.3kg