

Order No.: 5XA7592E1K22 | GTIN (EAN): 4058352501344

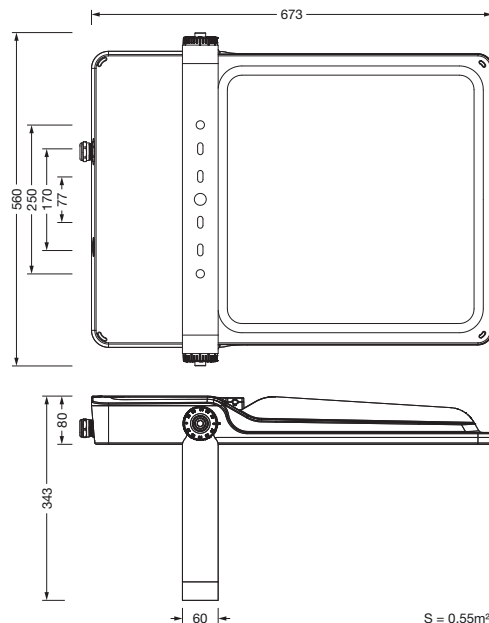
Product description: SiC31mx,PL32,65000lm730,DA



SiCompact® 31 maxi, floodlight, primary light control with lens, of plastic, of toughened safety glass, transparent, light distribution: PL32, light emission: direct distribution, primary light characteristic: asymmetric, installation type: surface-mounted, LED, High Power LED, rated luminous flux: 65.000lm, luminous efficacy: 133lm/W, light colour: 730, colour temperature: 3000K, control gear: ECG DALI, with terminal, 5-pole, mains connection: 220..240V, AC, 50/60Hz, rated input power: 490W, of diecast aluminium, powder-coated, metallic grey (RAL 9006), length: 790mm, width: 560mm, height: 85mm, bracket, of sheet steel, powder-coated, metallic grey (RAL 9006), protection rating (complete): IP66, insulation class (complete): insulation class I (protective earthing), certification: CE, impact resistance: IK08, permissible operating ambient temperature: -30..+35°C, permissible operating ambient temperature for outdoor applications: -30..+45°C, permissible storage temperature: -30..+65°C, packaging unit: 1 piece

IP 66 IK 08  

Lamps: LED  
 Wt. (kg): 17.0  
 GTIN (EAN): 4058352501344



It is mandatory that the assembly instructions must be observed when planning and installing the electrical installation (to be found at [www.siteco.com](http://www.siteco.com))  
 Tolerances related to thermal, electrical and photometric data according to IEC 62722  
 Issued 24.02.2023 - Modifications and errors subject to change - Ensure that you always use the latest version -

Order No.: 5XA7592E1K22 | GTIN (EAN): 4058352501344

Detailed technical description: SiC31mx,PL32,65000lm730,DA



#### Key data

- Product type: floodlight
- Product name: SiCompact® 31 maxi
- Order No.: 5XA7592E1K22

#### Lighting technology | Lamps | Control gear

##### Component 1

#### Lighting technology:

- Light control: lens of plastic
- Light distribution: PL32
- Symmetry: asymmetric distribution
- Light emission: direct distribution

#### Lamps:

- Lamps: with High Power LED, LED
- Rated luminous flux: 65000lm
- Luminous efficacy: 133lm/W
- Colour temperature: 3000K
- Colour rendering index: CRI > 70
- Light colour: 730
- SDCM (Standard Deviation of Colour Matching): MacAdam ≤ 5 SDCM (initial)
- Rated input power: 490W

#### Operating device:

- Control gear: ECG DALI
- Control: DALI

#### Certificates, Standards

- Protection rating: IP66
- Insulation class: insulation class I (protective earthing)
- Impact resistance: IK08
- Temperature range (operation): -30..+35°C
- Certification, designation: CE

#### Material, Colour

- Colour specification: metallic grey (RAL 9006)
- bracket: sheet steel, powder-coated, metallic grey (RAL 9006)
- Colour specification: metallic grey (RAL 9006)

#### Mounting

- Mounting method, mounting location: surface-mounted, to supporting structure, to the cross arm, to the wall
- Arrangement: single arrangement
- Supplement: with mounting bracket

#### Electrical connection

- Connection: terminal, 5-pole
- Nominal voltage: 220..240V, 50/60Hz, AC
- Surge voltage resistance: 10kV 1.2/50µs

#### Dimensions, Weight

- Length: 790mm
- Width: 560mm
- Height: 85mm
- Weight: 17.0kg

#### Light emission

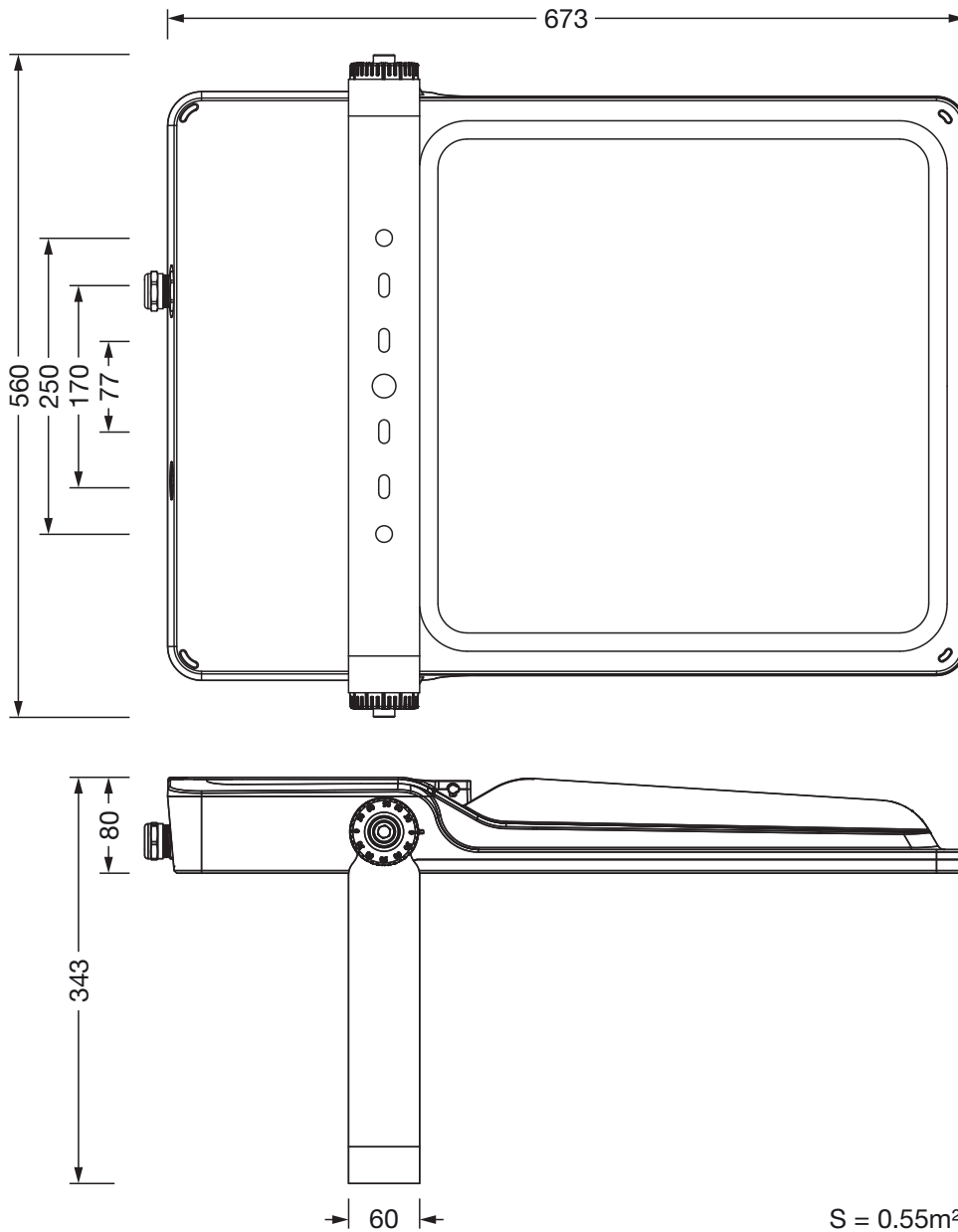
- Light emission: 0% at 0° inclination

#### Service life

- Rated service life: 100000h (L80/B50) at AT = 25°C

Order No.: 5XA7592E1K22 | GTIN (EAN): 4058352501344

Dimensions: SiC31mx,PL32,65000lm730,DA



It is mandatory that the assembly instructions must be observed when planning and installing the electrical installation (to be found at [www.siteco.com](http://www.siteco.com))  
Tolerances related to thermal, electrical and photometric data according to IEC 62722  
Issued 24.02.2023 - Modifications and errors subject to change - Ensure that you always use the latest version -