

Order No.: 5XH6D3BN08GA | GTIN (EAN): 4069025104366

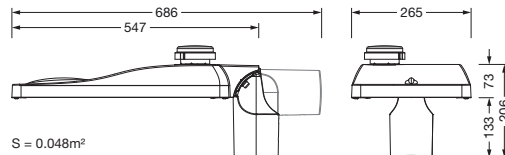
Product description: SL31mn,ST1.0a,5710lm730,NEMA7,Sla



Streetlight SL 31 mini NEMA (7pin) mast luminaire for post-top, side-entry; light control with lens of PMMA; light distribution: ST1.0a, direct asymmetric distribution, for standard-compliant lighting for roads and squares; LED: luminous flux: 5.710lm, light colour: 730, colour temperature: 3000K; luminous efficacy: 153,1lm/W; control: pre-setting: linear dimming characteristic, flexible luminous flux parameterisation, time-dependent luminous flux control, constant luminous flux control, intelligent temperature release in ECG and LED module, overheat protection; luminaire housing, of diecast aluminium, Siteco® metallic grey (DB 702S), corrosivity category C5 high according to DIN EN ISO 12944; cover of toughened safety glass, transparent, opened without tools; mast flange of diecast aluminium, Siteco® metallic grey (DB 702S), spigot size: 76/60mm, mast flange included unmounted; with cable H07RN-F 3x 1.5mm<sup>2</sup>, cable length: 6,5m, connection cable pre-assembled; mains connection: 220..240V, AC, 50/60Hz; power consumption (at start of service life): 37,3W / (at end of service life): 38,7W / (with reduced operation 50%): 17,5W; protection rating (complete): IP66; insulation class (complete): insulation class I (protective earthing); impact resistance: IK09; certification: CE, ENEC, ENEC+, VDE, UKCA; permissible operating ambient temperature for outdoor applications: -40..+50°C; packaging unit: 1 piece



Lamps: LED  
 Wt. (kg): 6.6  
 GTIN (EAN): 4069025104366



Order No.: 5XH6D3BN08GA | GTIN (EAN): 4069025104366

Detailed technical description: SL31mn,ST1.0a,5710lm730,NEMA7,SlA



### Key data

- Product type: mast luminaire
- Product name: Streetlight SL 31 mini
- Order No.: 5XH6D3BN08GA

### Lighting technology | Lamps | Control gear

#### Component 1

#### Lighting technology:

- Light control: lens of PMMA
- Cover: cover, transparent
- Light distribution: ST1.0a
- Beam angle: wide distribution
- Symmetry: asymmetric distribution
- Light emission: direct distribution

#### Lamps:

- Lamps: with High Power LED, LED
- Rated luminous flux: 5710lm
- Luminous efficacy: 153lm/W
- Colour temperature: 3000K
- Colour rendering index: CRI > 70
- Light colour: 730
- Rated input power begin service life: 37
- Rated input power end service life: 39
- Rated input power at 50% lumin. flux: 18

#### Operating device:

- Control: NEMA (7pin), Smart Interface above
- Equipment: overheat protection, constant luminous flux control, time-dependent luminous flux control, flexible luminous flux parameterisation, intelligent temperature release in ECG and LED module, pre-setting: linear dimming characteristic

### Certificates, Standards

- Protection rating: IP66
- Insulation class: insulation class I (protective earthing)
- Impact resistance: IK09
- Temperature range (operation): -40..+50°C
- Supplement: standard-compliant lighting for roads and squares
- Corrosion protection: corrosivity category C5 high according to DIN EN ISO 12944
- Certification, designation: CE, ENEC, ENEC+, VDE, UKCA

### Material, Colour

- luminaire housing: diecast aluminium, powder-coated, Siteco® metallic grey (DB 702S), sealing non-destructively replaceable, multi-level sealing system, inclination: -15°..+20° (post-top) | -20°..+20° (side-entry), adjustable in 5° steps, no sealing on luminaire upper side
- Colour specification: Siteco® metallic grey (DB 702S)
- mast flange: diecast aluminium, coated, Siteco® metallic grey (DB 702S), mast flange included unmounted
- Colour specification: Siteco® metallic grey (DB 702S)
- Cover: cover of toughened safety glass

### Mounting

- Mounting method, mounting location: side-entry, post-top, on mast

### Electrical connection

- Connection: cable H07RN-F 3x 1.5mm<sup>2</sup>
- Nominal voltage: 220..240V, 50/60Hz, AC
- Surge voltage resistance: 10kV 1.2/50µs
- Connection cable: pre-assembled, L= 6.5m

### Dimensions, Weight

- Weight: 6.6kg
- Mast spigot: spigot size: 76/60mm

### Light emission

- Light emission: 0% at 0° inclination

Order No.: 5XH6D3BN08GA | GTIN (EAN): 4069025104366

Detailed technical description: SL31mn,ST1.0a,5710lm730,NEMA7,Sl

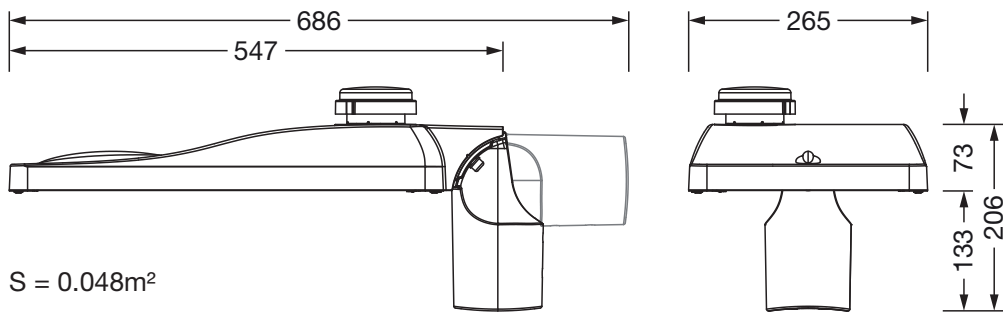


#### Service life

- Rated service life: 100000h at AT = 25°C

Order No.: 5XH6D3BN08GA | GTIN (EAN): 4069025104366

Dimensions: SL31mn,ST1.0a,5710lm730,NEMA7,Sl



S = 0.048m<sup>2</sup>