

Order No.: 51FB107L420K | **GTIN (EAN):** 4069025131423

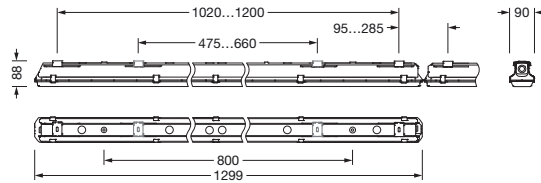
Product description: Mon21,diff,2590lm840,0/1,PMMA



Monsun® 21, damp-proof luminaire, chain hanger, primary optical cover: enclosure, of PMMA, light emission: direct distribution, primary light characteristic: symmetric, installation type: vertical mounting, horizontal mounting, surface-mounted, suspended mounting, LED, rated luminous flux: 2.590lm, luminous efficacy: 166lm/W, light colour: 840, colour temperature: 4000K, control gear: ECG, with terminal, 3-pole, max. 2.5mm², mains connection: 220..240V, AC, 50/60Hz, rated input power: 16W, housing, of glass-fibre reinforced plastic, uncoated, bright grey, incl. chain hanger, length: 1.299mm, width: 90mm, height: 88mm, clip for enclosure, of stainless steel (V2A), ceiling mounting element, of stainless steel (V2A), chain hanger, of stainless steel (V2A), protection rating (complete): IP66, insulation class (complete): insulation class I (protective earthing), certification: CE, ENEC, VDE, UKCA, protection symbol: D, impact resistance: IK04, permissible operating ambient temperature: -25..+35°C, standard: EN 50419, EN 60598-2-1, corresponds to IFS (International Featured Standards) requirements for safety and quality in the food industry, for indoor or canopied outdoor use, no direct snow, no direct sun, no direct rain, LABS conformity tested according to VDMA 24364:2018-05, contact your sales advisor before using the luminaires in applications with unclear chemical exposure, large temperature fluctuations or condensation-forming humidity, packaging unit: 1 piece



Lamps: LED
 Wt. (kg): 2.1
 GTIN (EAN): 4069025131423



It is mandatory that the assembly instructions must be observed when planning and installing the electrical installation (to be found at www.siteco.de)
 Tolerances related to thermal, electrical and photometric data according to IEC 62722
 Issued 06.06.2024 - Modifications and errors subject to change - Ensure that you always use the latest version -

Order No.: 51FB107L420K | GTIN (EAN): 4069025131423

Detailed technical description: Mon21,diff,2590lm840,0/1,PMMA



Key data

- Product type: damp-proof luminaire
- Product name: Monsun® 21
- Order No.: 51FB107L420K

Lighting technology | Lamps | Control gear

Component 1

Lighting technology:

- Cover: enclosure
- Beam angle: diffuse distribution
- Symmetry: symmetric
- Light emission: direct distribution

Lamps:

- Lamps: with LED
- Rated luminous flux: 2590lm
- Luminous efficacy: 166lm/W
- Colour temperature: 4000K
- Colour rendering index: CRI > 80
- Light colour: 840
- SDCM (Standard Deviation of Colour Matching): MacAdam ≤ 3 SDCM (initial)
- Rated input power: 16W
- Supplement: halogen-free wiring, without flicker

Operating device:

- Control gear: ECG
- Control: ON/OFF

Certificates, Standards

- Protection rating: IP66
- Insulation class: insulation class I (protective earthing)
- Impact resistance: IK04
- Protection symbol: D
- Temperature range (operation): -25..+35°C
- Supplement: corresponds to IFS (International Featured Standards) requirements for safety and quality in the food industry, for indoor or canopied outdoor use, no direct snow, no direct sun, no direct rain, LABS conformity tested according to VDMA 24364:2018-05, contact your sales advisor before using the luminaires in applications with unclear chemical exposure, large temperature fluctuations or condensation-forming humidity
- Standard: EN 50419, EN 60598-2-1
- Certification, designation: CE, ENEC, VDE, UKCA

Material, Colour

- housing: glass-fibre reinforced plastic, uncoated, bright grey, incl. chain hanger
- Colour specification: bright grey
- clip for enclosure: stainless steel (V2A)
- Quantity: 10 piece
- ceiling mounting element: stainless steel (V2A), ceiling mounting included
- Quantity: 2 piece
- chain hanger: stainless steel (V2A)
- Quantity: 2 piece
- Cover: enclosure of PMMA

Mounting

- Mounting method, mounting location: suspended mounting, surface-mounted, horizontal mounting, vertical mounting, to the ceiling, to the wall, to the Licross® mounting rail
- Arrangement: single/continuous arrangement
- Supplement: luminaire includes fixing accessories for ceiling surface mounting; for other types of installation: please order mounting accessories separately

Order No.: 51FB107L420K | GTIN (EAN): 4069025131423

Detailed technical description: Mon21,diff,2590lm840,0/1,PMMA



Electrical connection

- Connection: terminal, 3-pole, max. 2.5mm²
- Nominal voltage: 220..240V, 50/60Hz, AC

Dimensions, Weight

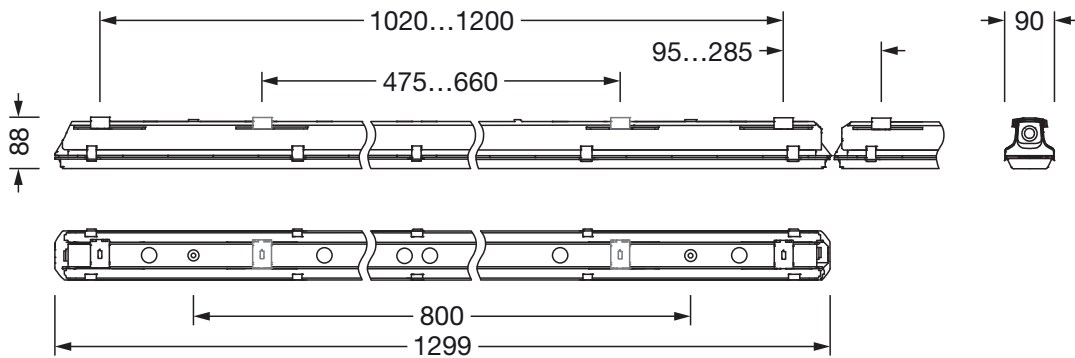
- Length: 1299mm
- Width: 90mm
- Height: 88mm
- Weight: 2.1kg

Service life

- Rated service life: 50000h (L85/B50) at AT = 25°C

Order No.: 51FB107L420K | GTIN (EAN): 4069025131423

Dimensions: Mon21,diff,2590lm840,0/1,PMMA



It is mandatory that the assembly instructions must be observed when planning and installing the electrical installation (to be found at www.siteco.de)
Tolerances related to thermal, electrical and photometric data according to IEC 62722
Issued 06.06.2024 - Modifications and errors subject to change - Ensure that you always use the latest version -