

Order No.: 5XA7785F2D3A | GTIN (EAN): 4058352855522

Product description: FL21md,PL52,35750lm730,Zhaga,mastbr



Floodlight FL 21 midi, floodlight, primary light control with lens, of PMMA, primary optical cover: protective disc, of toughened safety glass, transparent, light distribution: PL52, light emission: direct distribution, installation type: surface-mounted, LED, High Power LED, rated luminous flux: 35.750lm, luminous efficacy: 132lm/W, light colour: 730, colour temperature: 3000K, control gear: ECG Smart Interface, control: flexible luminous flux parameterisation, time-dependent luminous flux control, constant luminous flux control, overheat protection, pre-setting: logarithmic dimming characteristic, with terminal, 6-pole, mains connection: 220..240V, AC, 50/60Hz, start of lifetime: 272W, end of service life: 287W, reduction: 123W, luminaire housing, of diecast aluminium, powder-coated, Siteco® metallic grey (DB 702S), sealing non-destructively replaceable, please order mast flange separately, mast bracket, of steel, galvanised, powder-coated, Siteco® metallic grey (DB 702S), Smart Interface above, protection rating (complete): IP66, insulation class (complete): insulation class II (safety insulation), certification: CE, ENEC, VDE, protection symbol: D, impact resistance: IK08, permissible operating ambient temperature: -40..+40°C, permissible operating ambient temperature for outdoor applications: -40..+50°C, standard: DIN EN 12944, LABS conformity tested according to VDMA 24364:2018-05, packaging unit: 1 piece



Lamps: LED
 Wt. (kg): 10.2
 GTIN (EAN): 4058352855522



Order No.: 5XA7785F2D3A | GTIN (EAN): 4058352855522

Detailed technical description: FL21md,PL52,35750lm730,Zhaga,mastbr



Key data

- Product type: floodlight
- Product name: Floodlight FL 21 midi
- Order No.: 5XA7785F2D3A

Lighting technology | Lamps | Control gear

Component 1

Lighting technology:

- Light control: lens of PMMA
- Cover: protective disc, transparent
- Light distribution: PL52
- Light emission: direct distribution

Lamps:

- Lamps: with High Power LED, LED
- Rated luminous flux: 35750lm
- Luminous efficacy: 132lm/W
- Colour temperature: 3000K
- Colour rendering index: CRI > 70
- Light colour: 730
- Rated input power begin service life: 272
- Rated input power end service life: 287
- Rated input power at 50% lumin. flux: 123
- Supplement: prepared for through-wiring

Operating device:

- Control gear: ECG Smart Interface
- Control: Smart Interface (Zhaga), Smart Interface above
- Equipment: overheat protection, constant luminous flux control, time-dependent luminous flux control, flexible luminous flux parameterisation, pre-setting: logarithmic dimming characteristic

Certificates, Standards

- Protection rating: IP66
- Insulation class: insulation class II (safety insulation)
- Impact resistance: IK08
- Protection symbol: D
- Temperature range (operation): -40..+40°C
- Supplement: LABS conformity tested according to VDMA 24364:2018-05
- Standard: DIN EN 12944
- Certification, designation: CE, ENEC, VDE

Material, Colour

- luminaire housing: diecast aluminium, powder-coated, Siteco® metallic grey (DB 702S), sealing non-destructively replaceable, please order mast flange separately
- Colour specification: Siteco® metallic grey (DB 702S)
- mast bracket: steel, galvanised, powder-coated, Siteco® metallic grey (DB 702S)
- Colour specification: Siteco® metallic grey (DB 702S)
- Cover: protective disc of toughened safety glass

Mounting

- Mounting method, mounting location: surface-mounted, to mast
- Arrangement: single arrangement
- Supplement: with mounting bracket

Electrical connection

- Connection: terminal, 6-pole
- Nominal voltage: 220..240V, 50/60Hz, AC
- Surge voltage resistance: surge voltage resistance: 10kV (common mode); 6kV (differential mode)

Dimensions, Weight

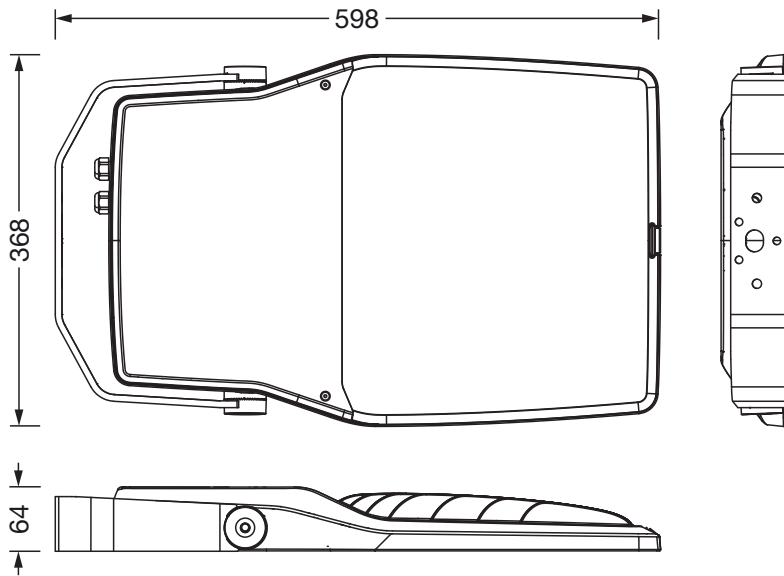
- Weight: 10.2kg

Service life

- Rated service life: 100000h (L94/B10) at AT = 25°C

Order No.: 5XA7785F2D3A | GTIN (EAN): 4058352855522

Dimensions: FL21md,PL52,35750lm730,Zhaga,mastbr



It is mandatory that the assembly instructions must be observed when planning and installing the electrical installation (to be found at www.siteco.de)
Tolerances related to thermal, electrical and photometric data according to IEC 62722
Issued 05.07.2024 - Modifications and errors subject to change - Ensure that you always use the latest version -