

**Order No.:** 5XA7786F2C3A | **GTIN (EAN):** 4058352855867

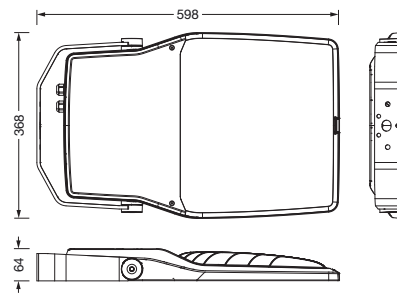
**Product description:** FL21md,PL61,35100lm730,Zhaga,mastbr



Floodlight FL 21 midi, floodlight, primary light control with lens, of PMMA, primary optical cover: protective disc, of toughened safety glass, transparent, light distribution: PL61, light emission: direct distribution, installation type: surface-mounted, LED, High Power LED, rated luminous flux: 35.100lm, luminous efficacy: 129lm/W, light colour: 730, colour temperature: 3000K, control gear: ECG Smart Interface, control: flexible luminous flux parameterisation, time-dependent luminous flux control, constant luminous flux control, overheat protection, pre-setting: logarithmic dimming characteristic, with terminal, 6-pole, mains connection: 220..240V, AC, 50/60Hz, start of lifetime: 272W, end of service life: 287W, reduction: 123W, luminaire housing, of diecast aluminium, powder-coated, Siteco® metallic grey (DB 702S), corrosivity category C5 mid according to DIN EN ISO 12944, sealing non-destructively replaceable, please order mast flange separately, mast bracket, of steel, galvanised, powder-coated, Siteco® metallic grey (DB 702S), Smart Interface below and above, protection rating (complete): IP66, insulation class (complete): insulation class II (safety insulation), certification: CE, ENEC, VDE, protection symbol: D, impact resistance: IK08, permissible operating ambient temperature: -40..+40°C, permissible operating ambient temperature for outdoor applications: -40..+50°C, standard: DIN EN 12944, LABS conformity tested according to VDMA 24364:2018-05, packaging unit: 1 piece



Lamps:	LED
Wt. (kg):	10.2
GTIN (EAN):	4058352855867



It is mandatory that the assembly instructions must be observed when planning and installing the electrical installation (to be found at [www.siteco.de](http://www.siteco.de))

Tolerances related to thermal, electrical and photometric data according to IEC 62722

Issued 05.07.2024 - Modifications and errors subject to change - Ensure that you always use the latest version -

Order No.: 5XA7786F2C3A | GTIN (EAN): 4058352855867

Detailed technical description: FL21md,PL61,35100lm730,Zhaga,mastbr



#### Key data

- Product type: floodlight
- Product name: Floodlight FL 21 midi
- Order No.: 5XA7786F2C3A

#### Lighting technology | Lamps | Control gear

##### Component 1

#### Lighting technology:

- Light control: lens of PMMA
- Cover: protective disc, transparent
- Light distribution: PL61
- Light emission: direct distribution

#### Lamps:

- Lamps: with High Power LED, LED
- Rated luminous flux: 35100lm
- Luminous efficacy: 129lm/W
- Colour temperature: 3000K
- Colour rendering index: CRI > 70
- Light colour: 730
- Rated input power begin service life: 272
- Rated input power end service life: 287
- Rated input power at 50% lumin. flux: 123

#### Operating device:

- Control gear: ECG Smart Interface
- Control: Smart Interface (Zhaga), Smart Interface below and above
- Equipment: overheat protection, constant luminous flux control, time-dependent luminous flux control, flexible luminous flux parameterisation, pre-setting: logarithmic dimming characteristic

#### Certificates, Standards

- Protection rating: IP66
- Insulation class: insulation class II (safety insulation)
- Impact resistance: IK08
- Protection symbol: D
- Temperature range (operation): -40..+40°C
- Supplement: LABS conformity tested according to VDMA 24364:2018-05
- Standard: DIN EN 12944
- Corrosion protection: corrosivity category C5 mid according to DIN EN ISO 12944
- Certification, designation: CE, ENEC, VDE

#### Material, Colour

- luminaire housing: diecast aluminium, powder-coated, Siteco® metallic grey (DB 702S), sealing non-destructively replaceable, please order mast flange separately
- Colour specification: Siteco® metallic grey (DB 702S)
- mast bracket: steel, galvanised, powder-coated, Siteco® metallic grey (DB 702S)
- Colour specification: Siteco® metallic grey (DB 702S)
- Cover: protective disc of toughened safety glass

#### Mounting

- Mounting method, mounting location: surface-mounted, to mast
- Arrangement: single arrangement
- Supplement: with mounting bracket

#### Electrical connection

- Connection: terminal, 6-pole
- Nominal voltage: 220..240V, 50/60Hz, AC
- Surge voltage resistance: surge voltage resistance: 10kV (common mode); 6kV (differential mode)

#### Dimensions, Weight

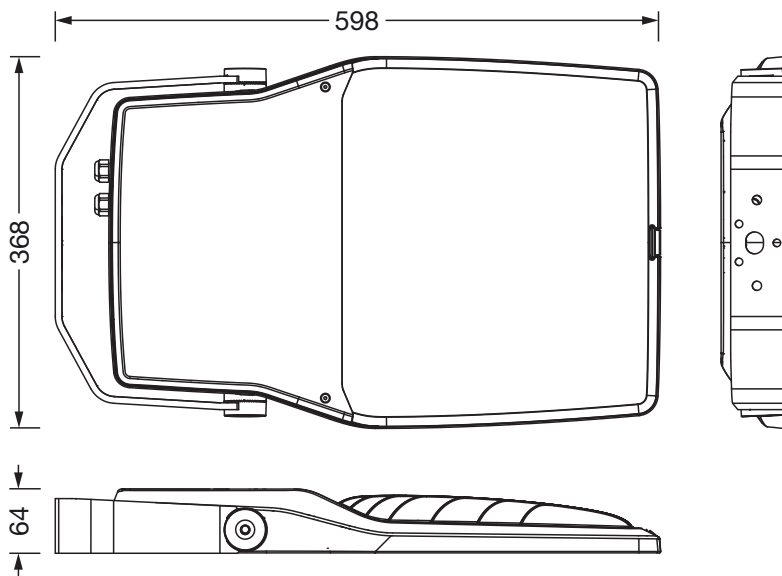
- Weight: 10.2kg

#### Service life

- Rated service life: 100000h (L94/B10) at AT = 25°C

Order No.: 5XA7786F2C3A | GTIN (EAN): 4058352855867

Dimensions: FL21md,PL61,35100lm730,Zhaga,mastbr



It is mandatory that the assembly instructions must be observed when planning and installing the electrical installation (to be found at [www.siteco.de](http://www.siteco.de))  
Tolerances related to thermal, electrical and photometric data according to IEC 62722  
Issued 05.07.2024 - Modifications and errors subject to change - Ensure that you always use the latest version -