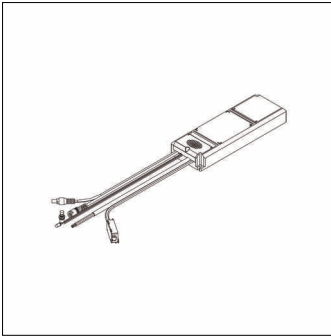


Order No.: 58DB00B013A | GTIN (EAN): 4069025012647

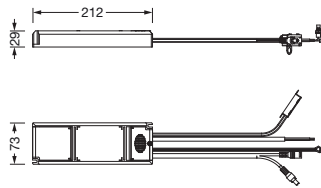
**Product description:** Lun21emerg.lght.elem,3h,rec



Lunis 21, emergency light element, installation type: recessed, EM-KIT  
3h, rated input power: 3W, battery: LiFeP04, housing, of steel, white,  
protection rating (complete): IP20, insulation class (complete): insulation class  
II (safety insulation), certification: CE, impact resistance: IK02, permissible  
operating ambient temperature: 0..+50°C, packaging unit: 1 piece

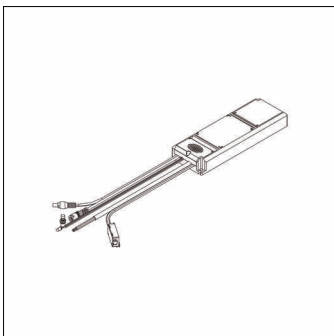
IP 20  

Wt. (kg): 0.5  
GTIN (EAN): 4069025012647



Order No.: 58DB00B013A | GTIN (EAN): 4069025012647

**Detailed technical description: Lun21 emerg.lght.elem,3h,rec**



#### Key data

- Product type: emergency light element
- Product name: Lunis 21
- Order No.: 58DB00B013A

#### Lighting technology | Lamps | Control gear

#### Component 1

##### Lamps:

- Supplement: LED status display: green  
= system ok; red = failure

#### Component 2

##### Operating device:

- Battery: LiFeP04
- Nominal service life: 3h

##### Certificates, Standards

- Protection rating: IP20
- Insulation class: insulation class II (safety insulation)
- Impact resistance: IK02
- Temperature range (operation): 0..+50°C
- Certification, designation: CE

##### Material, Colour

- housing: steel, white
- Colour specification: white

##### Mounting

- Mounting method, mounting location: recessed, in the luminaire

##### Dimensions, Weight

- Weight: 0.5kg

Order No.: 58DB00B013A | GTIN (EAN): 4069025012647

Dimensions: Lun21emerg.lght.elem,3h,rec

