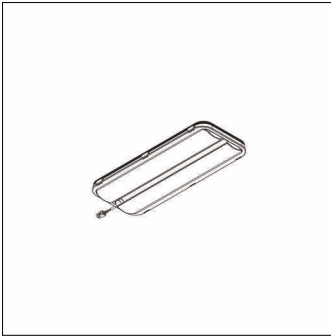


**Order No.:** 5XCMOD2A3HC | **GTIN (EAN):** 4058352391969

**Product description:** SL11,Plusmnm,LEDmod,ST1.2a,830

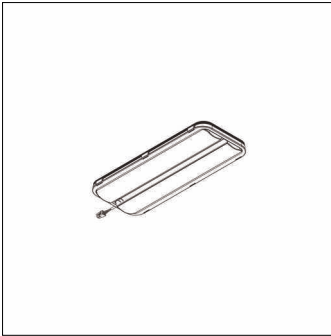


Streetlight SL 11 Plus mini/midi, LED module, light distribution: ST1.2a, primary light characteristic: asymmetric, High Power LED, light colour: 830, colour temperature: 3000K, mains connection: 230V, 50Hz, LED module, protection rating (complete): as luminaire, packaging unit: 1 piece

Wt. (kg): 0.6  
GTIN (EAN): 4058352391969

Order No.: 5XCMOD2A3HC | GTIN (EAN): 4058352391969

Detailed technical description: SL11,Plusmnm,LEDmod,ST1.2a,830



#### Key data

- Product type: LED module
- Product name: Streetlight SL 11 Plus mini/midi
- Order No.: 5XCMOD2A3HC

#### Lighting technology | Lamps | Control gear

##### Component 1

#### Lighting technology:

- Light distribution: ST1.2a
- Beam angle: wide distribution
- Symmetry: asymmetric distribution

#### Lamps:

- Lamps: with High Power LED
- Colour temperature: 3000K
- Colour rendering index: CRI > 80
- Light colour: 830

#### Certificates, Standards

- Protection rating: as luminaire

#### Electrical connection

- Nominal voltage: 230V, 50Hz

#### Dimensions, Weight

- Weight: 0.6kg