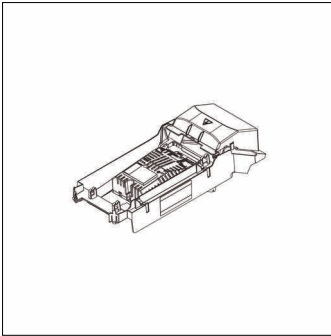


Order No.: 5XCECG11HBB | **GTIN (EAN):** 4058352246252

Product description: SL11,Plusmn,ECG-unit,75W



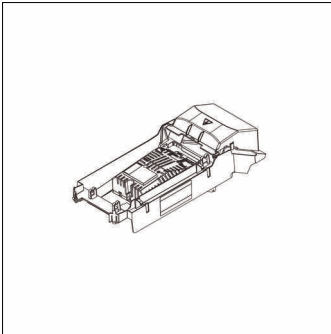
Streetlight SL 11 Plus mini, ECG unit, rated input power: 75W, ECG unit, certification: CE, packaging unit: 1 piece

CE

Wt. (kg): 0.8
GTIN (EAN): 4058352246252

Order No.: 5XCECG11HBB | **GTIN (EAN):** 4058352246252

Detailed technical description: SL11,Plusmn,ECG-unit,75W



Key data

- Product type: ECG unit
- Product name: Streetlight SL 11 Plus mini
- Order No.: 5XCECG11HBB

Lighting technology | Lamps | Control gear

Component 1

Lamps:

- Rated input power: 75W

Certificates, Standards

- Certification, designation: CE

Dimensions, Weight

- Weight: 0.8kg