

Order No.: 51HK42DA4GCA | **GTIN (EAN):** 4058352883488

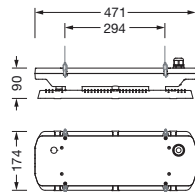
Product description: HB21S,wd,13500lm840,DA2



Highbay 21-S, LED high bay luminaire, primary light control with lens, of PC, light emission: direct distribution, primary light characteristic: symmetric, installation type: suspended mounting, surface-mounted, LED, rated luminous flux: 13.500lm, luminous efficacy: 179lm/W, light colour: 840, colour temperature: 4000K, with terminal, 5-pole, max. 2.5mm², mains connection: 220..240V, AC, 50Hz, rated input power: 75W, housing, of diecast aluminium, coated, grey, length: 471mm, width: 172mm, height: 87mm, protection rating (complete): IP66, insulation class (complete): insulation class I (protective earthing), certification: CE, ENEC, UKCA, protection symbol: D, impact resistance: IK08, permissible operating ambient temperature: -30..+60°C, corresponds to IFS (International Featured Standards) requirements for safety and quality in the food industry, LABS conformity tested according to VDMA 24364:2018-05, packaging unit: 1 piece



Lamps:	LED
Wt. (kg):	3.8
GTIN (EAN):	4058352883488



Order No.: 51HK42DA4GCA | **GTIN (EAN):** 4058352883488

Detailed technical description: HB21S,wd,13500lm840,DA2



Key data

- Product type: LED high bay luminaire
- Product name: Highbay 21-S
- Order No.: 51HK42DA4GCA

Lighting technology | Lamps | Control gear

Component 1

Lighting technology:

- Light control: lens of PC
- Beam angle: wide distribution
- Symmetry: symmetric
- Light emission: direct distribution
- UGR viewing direction along longitudinal luminaire axis: ≤ 25
- UGR viewing direction along lateral luminaire axis: ≤ 25

Lamps:

- Lamps: with LED
- Rated luminous flux: 13500lm
- Luminous efficacy: 179lm/W
- Colour temperature: 4000K
- Colour rendering index: CRI > 80
- Light colour: 840
- SDCM (Standard Deviation of Colour Matching): MacAdam ≤ 4 SDCM (initial)
- Rated input power: 75W
- Supplement: without flicker

Operating device:

- Control: DALI 2

Certificates, Standards

- Protection rating: IP66
- Insulation class: insulation class I (protective earthing)
- Impact resistance: IK08
- Protection symbol: D
- Temperature range (operation): -30..+60°C
- Supplement: corresponds to IFS (International Featured Standards) requirements for safety and quality in the food industry, LABS conformity tested according to VDMA 24364:2018-05
- Certification, designation: CE, ENEC, UKCA

Material, Colour

- housing: diecast aluminium, coated, grey
- Quantity: 1 piece
- Colour specification: grey

Mounting

- Mounting method, mounting location: suspended mounting, surface-mounted, to the ceiling, to the chain
- Arrangement: single arrangement
- Supplement: mounting accessories required, please order separately

Electrical connection

- Connection: terminal, 5-pole, max. 2.5mm²
- Nominal voltage: 220..240V, 50Hz, AC

Dimensions, Weight

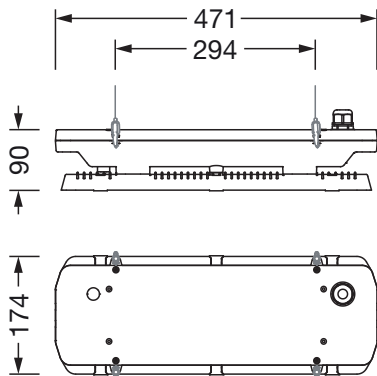
- Length: 471mm
- Width: 172mm
- Height: 87mm
- Weight: 3.8kg

Service life

- Rated service life: 100000h (L80/B50) at AT = ta max, 70000h (L85/B50) at AT = ta max, 50000h (L90/B50) at AT = ta max

Order No.: 51HK42DA4GCA | GTIN (EAN): 4058352883488

Dimensions: HB21S,wd,13500lm840,DA2



It is mandatory that the assembly instructions must be observed when planning and installing the electrical installation (to be found at www.siteco.de)

Tolerances related to thermal, electrical and photometric data according to IEC 62722

Issued 15.12.2023 - Modifications and errors subject to change - Ensure that you always use the latest version -