

Order No.: 51HF81DA4NMA | **GTIN (EAN):** 4058352919910

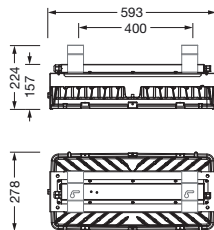
Product description: HB11Xtr,nrrw,34200lm840,DA2,bir



Highbay 11Xtreme, LED high bay luminaire, primary light control with lens, of PMMA, primary optical cover: cover, of toughened safety glass, light emission: direct distribution, primary light characteristic: symmetric, installation type: suspended mounting, surface-mounted, 1x LED module, for 1x LED, rated luminous flux: 34.200lm, luminous efficacy: 182lm/W, light colour: 840, colour temperature: 4000K, with cable H07RN-F 5x 1.5mm², mains connection: 220..240V, AC, 50/60Hz, cable length: 1,5m, rated input power: 188W, luminaire housing, of diecast aluminium, partly coated, silver, length: 595mm, width: 280mm, height: 195mm, protection rating (complete): IP66, insulation class (complete): insulation class I (protective earthing), certification: CE, ENEC, UKCA, protection symbol: D, ball protection: ball impact resistant according to DIN VDE 0710 part 13 (with chain suspension), impact resistance: IK08, permissible operating ambient temperature: -25..+45°C, reducing of maximum allowable ambient temperature of 5°C with ceiling mounting, packaging unit: 1 piece



Lamps: 1x LED
 Wt. (kg): 10.1
 GTIN (EAN): 4058352919910



Order No.: 51HF81DA4NMA | **GTIN (EAN):** 4058352919910

Detailed technical description: HB11Xtr,rrrw,34200lm840,DA2,bir



Key data

- Product type: LED high bay luminaire
- Product name: Highbay 11Xtreme
- Order No.: 51HF81DA4NMA

Lighting technology | Lamps | Control gear

Component 1

Lighting technology:

- Light control: lens of PMMA
- Cover: cover
- Beam angle: narrow distribution
- Symmetry: symmetric
- Light emission: direct distribution
- UGR viewing direction along longitudinal luminaire axis: ≤ 22
- UGR viewing direction along lateral luminaire axis: ≤ 22

Lamps:

- Lamps: with 1x LED
- Rated luminous flux: 34200lm
- Luminous efficacy: 182lm/W
- Colour temperature: 4000K
- Colour rendering index: CRI > 80
- Light colour: 840
- SDCM (Standard Deviation of Colour Matching): MacAdam ≤ 3 SDCM (initial)
- Rated input power: 188W

Operating device:

- Control: DALI 2

Certificates, Standards

- Protection rating: IP66
- Insulation class: insulation class I (protective earthing)
- Impact resistance: IK08
- Protection symbol: D
- Temperature range (operation): -25..+45°C
- Supplement: reducing of maximum allowable ambient temperature of 5°C with ceiling mounting
- Certification, designation: CE, ENEC, UKCA

Material, Colour

- luminaire housing: diecast aluminium, partly coated, silver
- Quantity: 1 piece
- Colour specification: silver
- Cover: cover of toughened safety glass

Mounting

- Mounting method, mounting location: suspended mounting, surface-mounted, to the ceiling, to the chain
- Arrangement: single arrangement
- Supplement: mounting accessories required, please order separately

Electrical connection

- Connection: cable H07RN-F 5x 1.5mm²
- Nominal voltage: 220..240V, 50/60Hz, AC

Dimensions, Weight

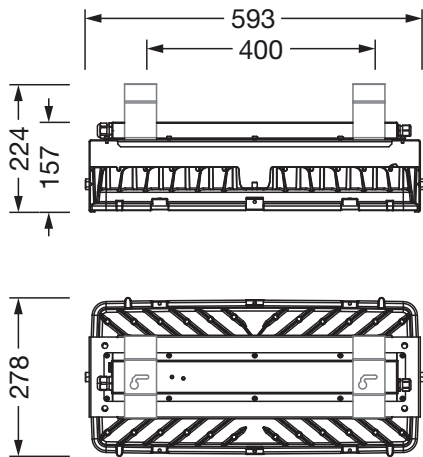
- Length: 595mm
- Width: 280mm
- Height: 195mm
- Weight: 10.1kg

Service life

- Rated service life: 100000h (L85/B50) at AT = 45°C

Order No.: 51HF81DA4NMA | GTIN (EAN): 4058352919910

Dimensions: HB11Xtr,nrrw,34200lm840,DA2,bir



It is mandatory that the assembly instructions must be observed when planning and installing the electrical installation (to be found at www.siteco.de)
Tolerances related to thermal, electrical and photometric data according to IEC 62722
Issued 10.11.2023 - Modifications and errors subject to change - Ensure that you always use the latest version -