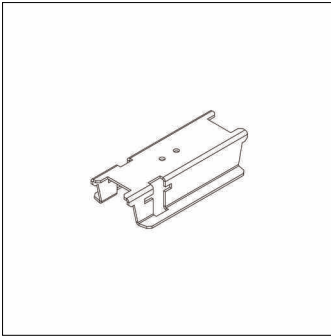


**Order No.:** 59MX700V50X | **GTIN (EAN):** 4058352772416

**Product description:** Sil21-conn-rec,sh.steel

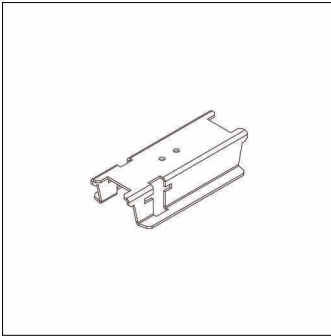


Silica® 21, connector, connector, of sheet steel, packaging unit: 1 piece

Wt. (kg): 0.1  
GTIN (EAN): 4058352772416

Order No.: 59MX700V50X | GTIN (EAN): 4058352772416

Detailed technical description: Sil21-conn-rec,sh.steel



#### Key data

- Product type: connector
- Product name: Silica® 21
- Order No.: 59MX700V50X

#### Material, Colour

- connector: sheet steel
- Quantity: 1 piece

#### Dimensions, Weight

- Weight: 0.1kg