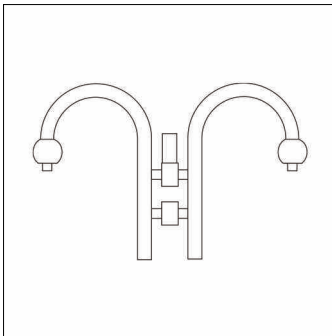


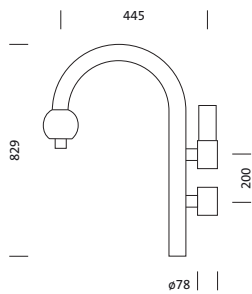
Order No.: 5NY15721XA08 | **GTIN (EAN):** 4039806215291

Product description: SmBell,curv.m-extØ76,1arm,coat,DB702S



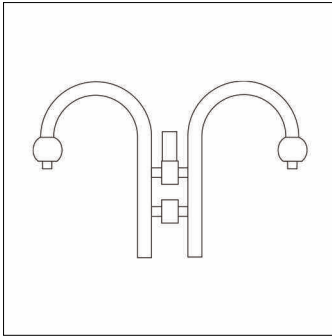
Small Bell, curved mast extension, curved mast extension, offset, of steel, galvanised, coated, Siteco® metallic grey (DB 702S), 1-arm, with bayonet catch, diameter: 76mm, height: 829mm, spigot size: 76mm (post-top), packaging unit: 1 piece

Wt. (kg): 6.3
GTIN (EAN): 4039806215291



Order No.: 5NY15721XA08 | GTIN (EAN): 4039806215291

Detailed technical description: SmBell,curv.m-extØ76,1arm,coat,DB702S



Key data

- Product type: curved mast extension
- Product name: Small Bell
- Order No.: 5NY15721XA08

Material, Colour

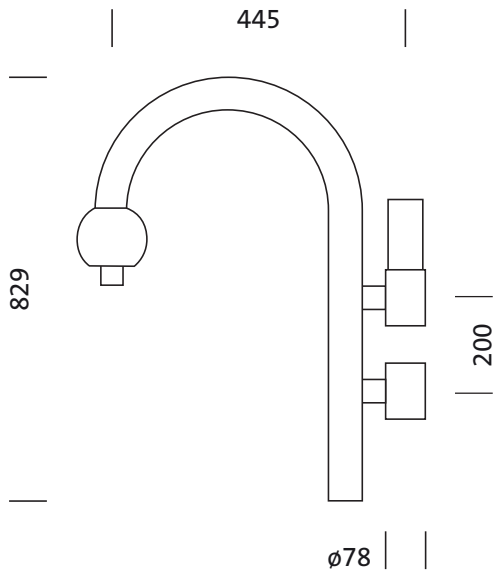
- curved mast extension, offset: steel, galvanised, coated, Siteco® metallic grey (DB 702S), with bayonet catch
- Colour specification: Siteco® metallic grey (DB 702S)

Dimensions, Weight

- Diameter: 76mm
- Height: 829mm
- Weight: 6.3kg
- Mast spigot: spigot size: 76mm

Order No.: 5NY15721XA08 | GTIN (EAN): 4039806215291

Dimensions: SmBell,curv.m-extØ76,1arm,coat,DB702S



It is mandatory that the assembly instructions must be observed when planning and installing the electrical installation (to be found at www.siteco.de)
Tolerances related to thermal, electrical and photometric data according to IEC 62722
Issued 07.07.2023 - Modifications and errors subject to change - Ensure that you always use the latest version -