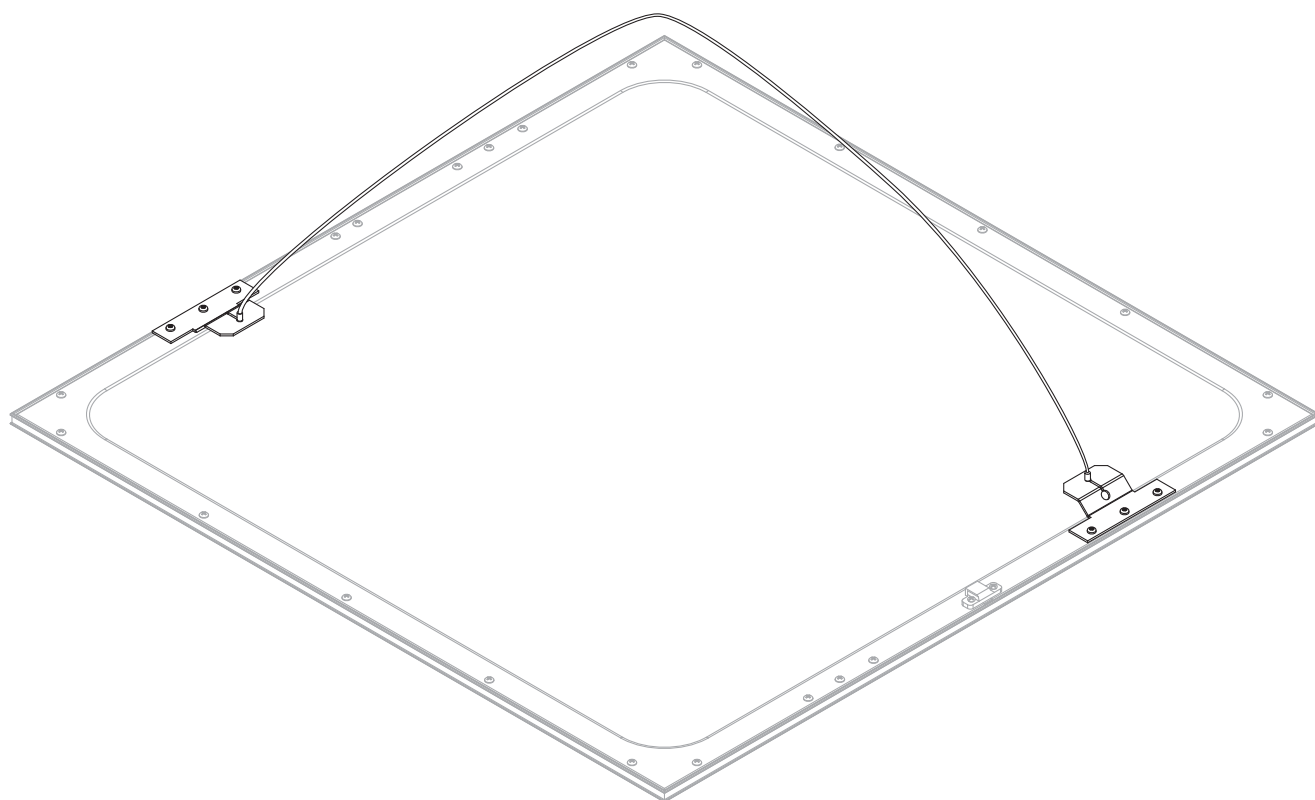


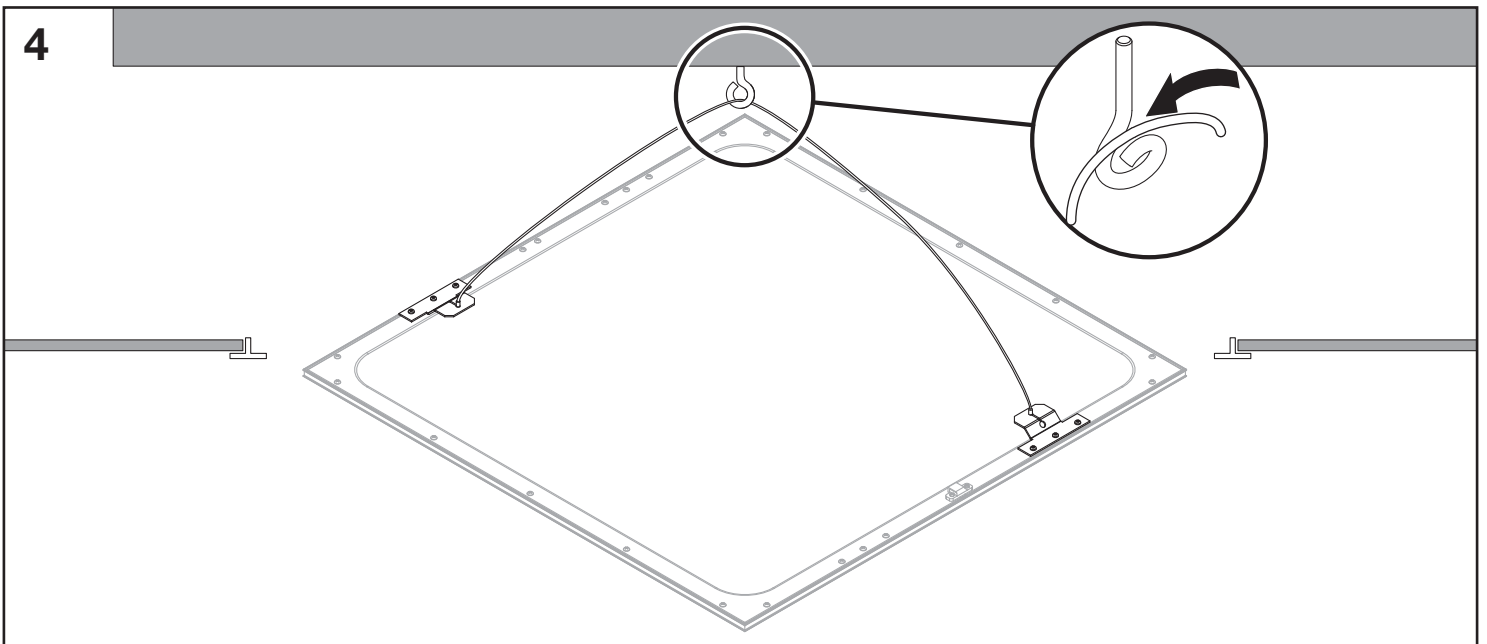
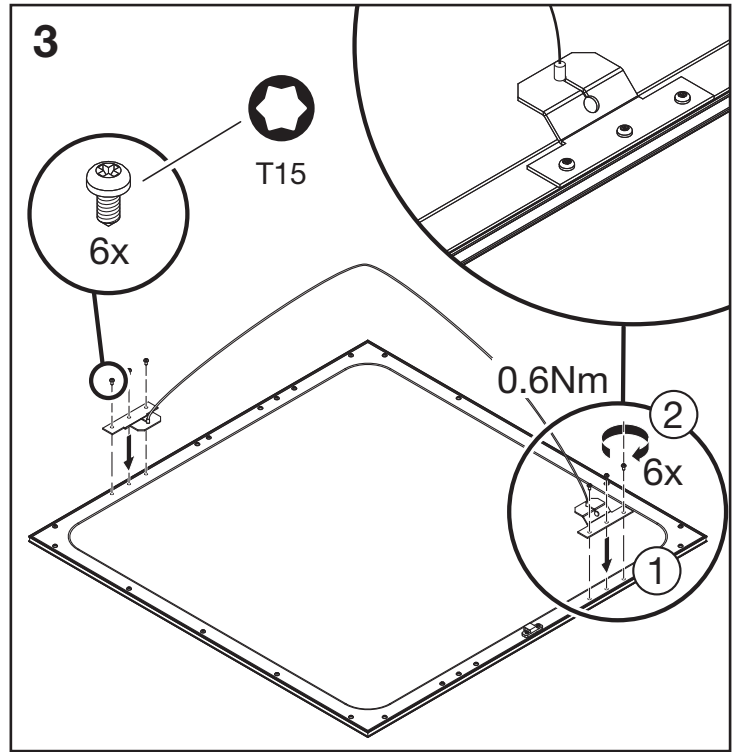
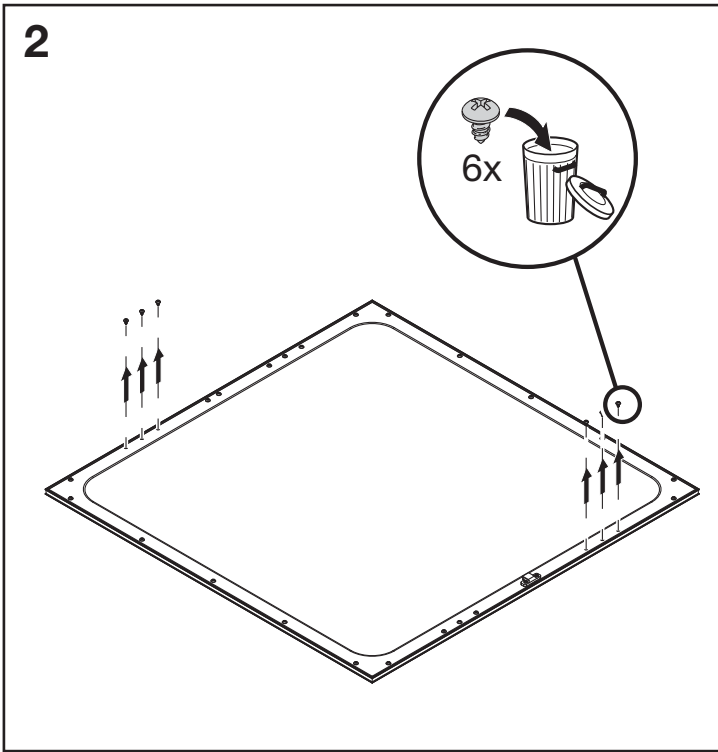
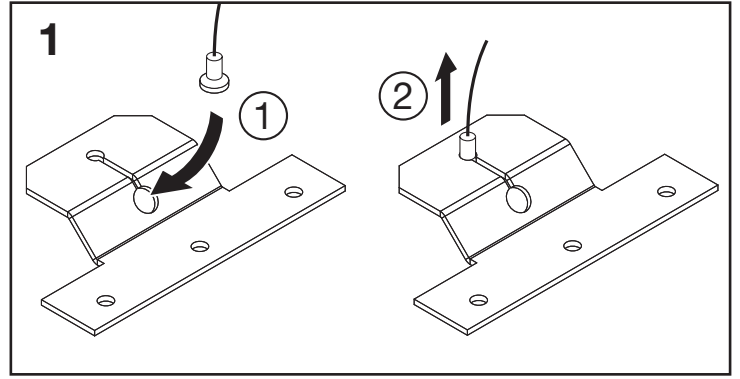
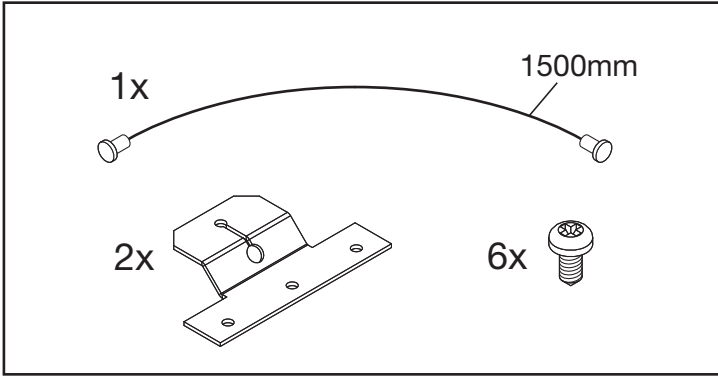
APOLLON® Generation 2

APOLLON Mounting Wire

59MQ91110



APOLLON® Mounting Cable



5MA24-255713_ad
10.11.2021 / KIN

Siteco GmbH
Georg-Simon-Ohm-Straße 50
83301 Traunreut, Germany
mail: technicalsupport@siteco.de
Phone: +49 8669 / 33-844
www.siteco.com