

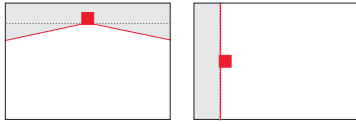
- Timeless design with high-quality housing in slim shape easily integrating in different architectural environments.
- Simple and quick installation, mounting possible both on ceilings and walls for maximum flexibility.
- Optional with Tunable-White function ideally suited for HCL^{live} applications to increase well-being by automatically adapting to natural daylight colour temperatures.

- Available with Bluetooth control functionality for remote control via smart phone, automatic running of preset scenarios and effortless installation using wireless switches .
- Easily extendable with emergency lighting element or HF movement sensor in the center of the luminaire for even more functionalities and application friendliness.

Rondel 21

The allstar for general lighting in its latest version with extended features.

Rondel 21



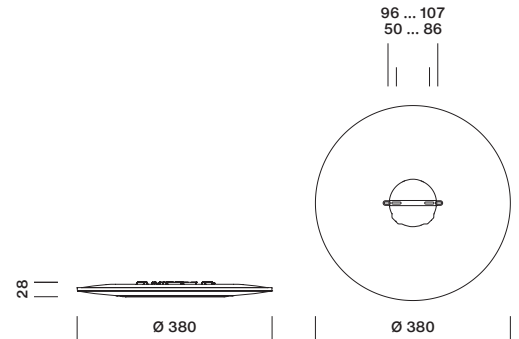
Key Specifications

Luminous flux	900 lm / 1.800 lm
Rated power	9 W / 18 W
Optics	Opal diffuser
Light distribution	Diffuse
CCT	3.000 K / 4.000 K
UGR	< 28
CRI	> 80
Protection rating	IP 40 / IK 03
Rated service life	50.000 h (L70 / B50) bei 25° C
Ambient temperature	-20 ... +40° C
ECG	ON / OFF, integrated
Mounting options	Ceiling / wall surface mounting
Certificates	CE
Dimensions	Ø 380 x 28 mm
Weight	1,7 kg
Accessories	3 h emergency luminaire, HF movementsensor

Highlights of Rondel 21 with Bluetooth- and Tunable-White functionalities:

- Maximum convenience thanks to Bluetooth control: easy ON / OFF and color temperature adaption via smartphone
- Simple grouping of luminaires, setting of different scenes and animations – individualization of light and flexibility on a high level
- Integrated calendar and timer functionality with sunrise and sunset information for easy automatization of lighting
- Wireless system – ideal for retrofit situations in which cable installations are not possible
- Tunable White function to adapt color temperature according to individual needs or situation, e.g. warm in the evening and rather cold during the day – also suitable for SITECO HCL^{live} applications to boost motivation and well-being.

siteco.com



Rondel 21 order variants

Colour temperature	Net luminous flux lm	Connected load W	Control	Weight kg	Order No.
2.700 – 6.500 K	1.800	18	Wireless	1,7	5MD530CL18TW*
3.000 K	1.800	18	ON / OFF	1,6	0MD5307L1830
4.000 K	1.800	18	ON / OFF	1,6	0MD5307L1840
3.000 K	900	9	ON / OFF	1,6	0MD5307L0930
4.000 K	900	9	ON / OFF	1,6	0MD5307L0940

* Accessories for Rondel 21 Wireless / Tunable-White variant

Artikel	Funcie	Ordernummer
HCL ^{live} control pad	Dimming, setting of light colour, calling up scenes, starting HCL ^{live} sequence	5LZ980102 (230V) 5LZ980101 (Battery)
Push-button interface	Manual operation, integration of max. 4 switches / push-buttons of any common product range, 230 V	5LZ980100

Rondel 21 accessories

Article	Weight kg	Order No.
Emergency light element	0.5	0MD5303B
HF movement sensor	0.5	5MD53003S
Mounting element	0.1	0MD5300D

